

DC Fan Motors

# SAN ACE □ 120mm

SAN ACE



Silent, (R type), best-selling model

General specifications

Motor protection system ····Current cut system (with reverse-connection protection)

Dielectric strength ······50/60 Hz, 500 VAC, 1 minute  
(between lead conductor and frame)

Operating thermally range -10°C to +60°C (non-condensing)

Fan power lead ········H, F, MH speeds, ⊕ red, ⊖ black

M speeds, ⊕ red, ⊖ blue

Control lead , brown

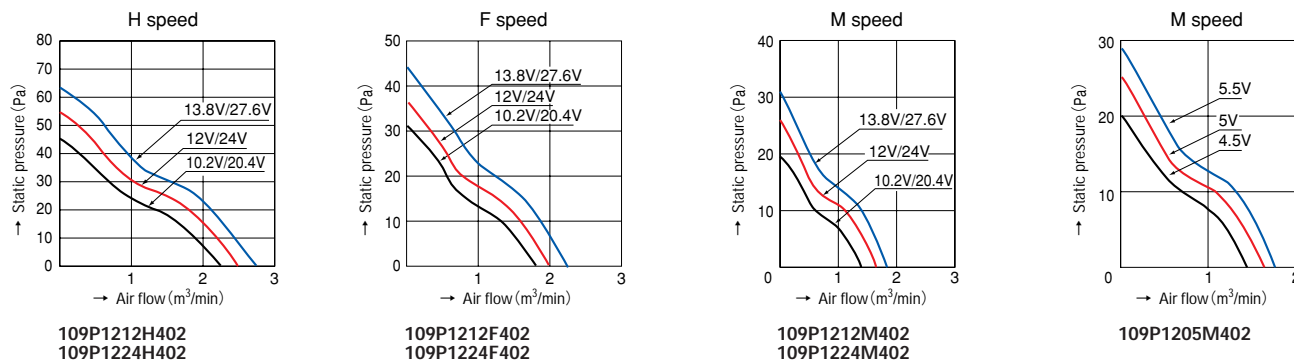
25mm thick

Specifications

Model No	Rated voltage (V)	Operating voltage range (V)	Rated current (A)	Rated input (W)	Rated rotating speed (min <sup>-1</sup> )	Air flow (m <sup>3</sup> /min) (CFM)	Static pressure (Pa)	Noise (dB[A])	Mass (g)
109P1205M402(4021)	5	4.5~5.5	0.42	2.1	1,850	1.66 58.6	25.5	29	210
109P1212H402(4021)	12	10.2~13.8	0.45	5.4	2,800	2.5 88.2	53.9	40	
109P1212F402(4021)			0.25	3	2,300	1.98 70	36.3	35	
109P1212M402(4021)			0.14	1.68	1,850	1.66 58.6	25.5	29	
109P1224H402(4021)			0.24	5.76	2,800	2.5 88.2	53.9	40	
109P1224F402(4021)	24	20.4~27.6	0.12	2.88	2,300	1.98 70	36.3	35	
109P1224M402(4021)			0.09	2.16	1,850	1.66 58.6	25.5	29	

The numbers in ( ) represent ribless models.

Typical air flow and static pressure characteristics (25mm thick)



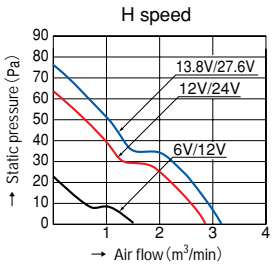
38mm thick

Specifications

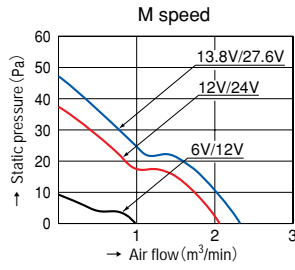
Model No	Rated voltage (V)	Operating voltage range (V)	Rated current (A)	Rated input (W)	Rated rotating speed (min <sup>-1</sup> )	Air flow (m <sup>3</sup> /min) (CFM)	Static pressure (Pa)	Noise (dB[A])	Mass (g)
109R1212H102(1021)	12	6~13.8	0.52	6.24	2,600	2.9 102.3	64.7	39	260
109R1212F102(1021)			0.32	3.84	2,280	2.56 90.4	51.0	37	
109R1212M102(1021)			0.24	2.88	1,950	2.2 77.6	38.2	32	
109R1212MH102(1021)			0.32	3.84	1,950	2.2 77.6	38.2	32	
		Slow:10.2~13.8	0.48	5.76	2,600	2.9 102.3	64.7	39	
		Fast:10.2~13.8	0.48	5.76	2,600	2.9 102.3	64.7	39	
109R1224H102(1021)	24	12~27.6	0.25	6.0	2,600	2.9 102.3	64.7	39	
109R1224M102(1021)			0.12	2.88	1,950	2.2 77.6	38.2	32	
109R1224MH102(1021)			0.20	4.8	1,950	2.2 77.6	38.2	32	
			0.28	6.72	2,600	2.9 102.3	64.7	39	
		Slow:20.4~27.6	0.20	4.8	1,950	2.2 77.6	38.2	32	
		Fast:20.4~27.6	0.28	6.72	2,600	2.9 102.3	64.7	39	
109R1248H102(1021)	48	40.8~55.2	0.15	7.2	2,600	2.9 102.3	64.7	39	
109R1248M102(1021)			0.08	3.84	1,950	2.2 77.6	38.2	32	

The numbers in ( ) represent ribless models.MH represent two-speed.

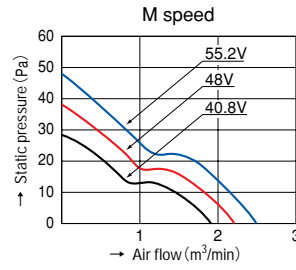
# Typical air flow and static pressure characteristics (38mm thick)



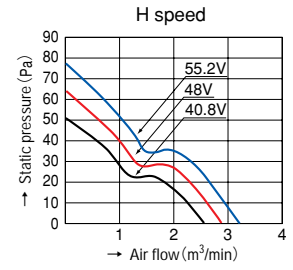
109R1212H102  
109R1224H102



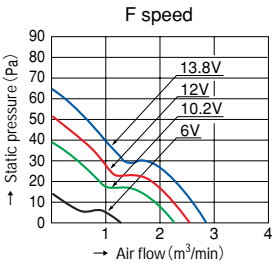
109R1212M102  
109R1224M102



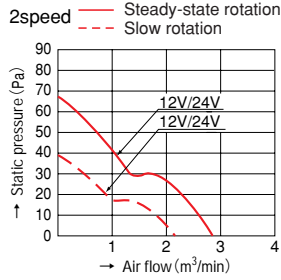
109R1248M102



109R1248H102

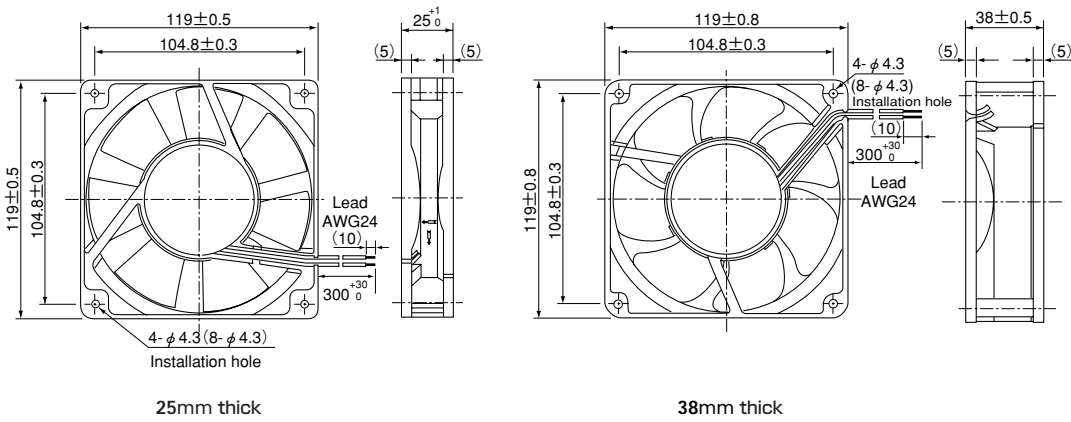


109R1212F102

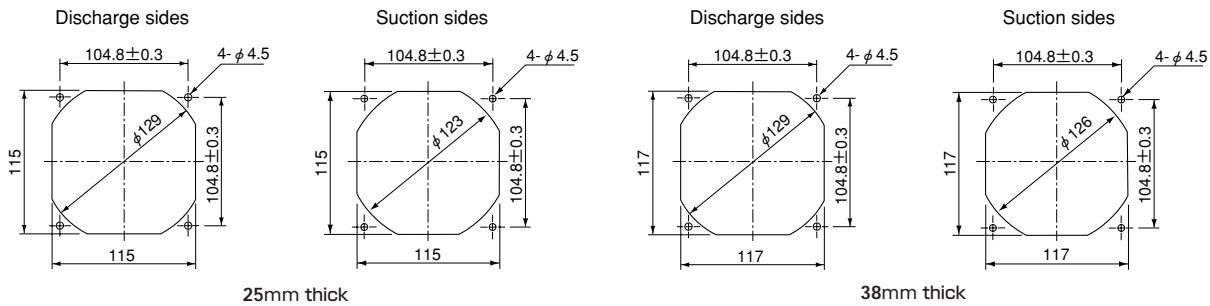


109R1212MH102  
109R1224MH102

## Dimensions (unit : mm)



## Reference dimensional diagram for installation holes (unit : mm)



# SANYO DENKI