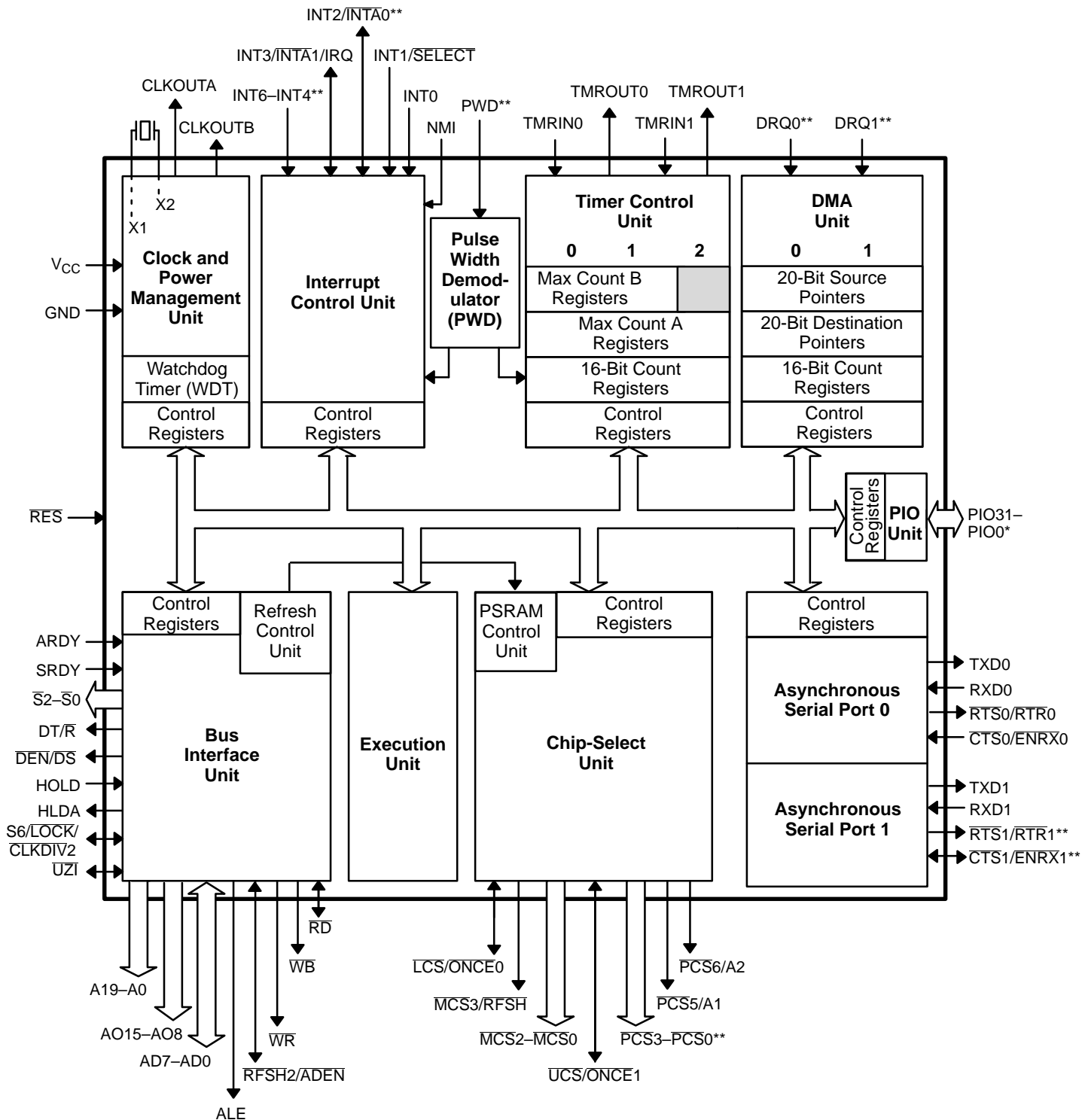


Am188ES MICROCONTROLLER BLOCK DIAGRAM



Notes:

* All PIO signals are shared with other physical pins. See the pin descriptions beginning on page 29 and Table 2 on page 35 for information on shared functions.

** PWD , $INT5$, $INT6$, $RTS1/RTR1$, and $CTS1/ENRX1$ are multiplexed with $INT2/INTA0$, $DRQ0$, $DRQ1$, $PCS3$, and $PCS2$ respectively. See the pin descriptions beginning on page 29.