



---

# OEM HARD DISK DRIVE SPECIFICATIONS

for

**DNES-318350 / DNES-309170 ( 18 / 9 GB )**

**3.5-Inch SCSI Hard Disk Drive**

**Revision (1.2)**

---





---

# OEM HARD DISK DRIVE SPECIFICATIONS

for

**DNES-318350 / DNES-309170 ( 18 / 9 GB )**

**3.5-Inch SCSI Hard Disk Drive**

**Revision (1.2)**

---

**1st Edition (Rev.0.1) S25L-1252-00 (Oct. 22, 1998) Preliminary**  
**2nd Edition (Rev.0.2) S25L-1252-01 (Oct. 30, 1998) Preliminary**  
**3rd Edition (Rev.1.0) S25L-1252-02 (Dec. 16, 1998)**  
**4th Edition (Rev.1.1) S25L-1252-03 (Apr. 20, 1999)**  
**5th Edition (Rev.1.2) S25L-1252-04 (Jul. 29, 1999)**

**The following paragraph does not apply to the United Kingdom or any country where such provisions are inconsistent with local law:** INTERNATIONAL BUSINESS MACHINES CORPORATION PROVIDES THIS PUBLICATION “AS IS” WITHOUT WARRANTY OF ANY KIND, EITHER EXPRESS OR IMPLIED, INCLUDING, BUT NOT LIMITED TO, THE IMPLIED WARRANTIES OF MERCHANTABILITY OR FITNESS FOR A PARTICULAR PURPOSE. Some states do not allow disclaimer or express or implied warranties in certain transactions, therefore, this statement may not apply to You.

This publication could include technical inaccuracies or typographical errors. Changes are periodically made to the information herein; these changes will be incorporated in new editions of the publication. IBM may make improvements and/or changes in the product(s) and/or the program(s) described in this publication at any time.

It is possible that this publication may contain reference to, or information about, IBM products (machines and programs), programming, or services that are not announced in your country. Such references or information must not be construed to mean that IBM intends to announce such IBM products, programming, or services in your country.

Technical information about this product is available from your local IBM representative or at **<http://www.ibm.com/harddrive>**

IBM may have patents or pending patent applications covering subject matter in this document. The furnishing of this document does not give you any license to these patents. You can send license inquiries, in writing, to the IBM Director of Commercial Relations, IBM Corporation, Armonk, NY 10577.

**© Copyright International Business Machines Corporation 1999. All rights reserved.**

Note to U.S. Government Users —Documentation related to restricted rights —Use, duplication or disclosure is subject to restrictions set forth in GSA ADP Schedule Contract with IBM Corp.

---

# Contents

<b>1.0 General</b>	1
1.1 Introduction	1
1.2 References	1
1.3 Glossary	2
1.4 General Caution	2
<b>1.0 Outline of the drive</b>	3
<hr/>	
<b>Part 1. Functional Specification</b>	5
<b>2.0 Fixed Disk Subsystem Description</b>	7
2.1 Control Electronics	7
2.2 Head Disk Assembly	7
2.3 Actuator	7
<b>3.0 Drive Characteristics</b>	9
3.1 Formatted Capacity	9
3.2 Data Sheet	9
3.3 Cylinder Allocation	10
3.4 Performance Characteristics	10
3.4.1 Command overhead	11
3.4.2 Mechanical Positioning	11
3.4.3 Drive Ready Time	13
3.4.4 Spindle Stop Time	13
3.4.5 Data Transfer Speed	13
3.4.6 Buffering Operation (Lookahead/Write Cache)	14
3.4.7 Throughput	15
<b>4.0 Data integrity</b>	17
4.1 Equipment Status	17
4.2 Error Recovery	17
<b>5.0 Physical Format</b>	19
5.1 Shipped Format (PList)	19
5.2 Reassigned Format (G-List)	19
<b>6.0 Specification</b>	21
6.1 Electrical Interface Specification	21
6.1.1 Power Connector	21
6.1.2 SCSI Bus Connector	21
6.1.3 SCSI Cable	26
6.1.4 SCSI Bus Terminator	26
6.1.5 Hot Plug / Unplug	26
6.1.6 SCSI Bus Electrical Characteristics	26
6.1.7 Auxiliary Connector on 68-pin Model	27
6.2 Option Jumper Block	28
6.2.1 Jumper Pin of 50-pin SE model	30
6.2.2 Jumper Pin of 68-pin SE model	31
6.2.3 Jumper Pin of 68-pin LVD/SE Multi-mode model	32
6.2.4 Jumper Pin of 80-pin LVD/SE Multi-mode model	33

6.2.5 Jumper Signal Description on J-6	34
6.2.6 Jumper Signal Description on J-4	34
6.2.7 Shipping Default	38
6.3 LED Circuit	39
6.3.1 50-Pin Model	39
6.3.2 68-Pin Model	40
6.3.3 80-Pin Model	41
6.4 Environment	42
6.5 Cooling Requirements	43
6.6 DC Power Requirements	44
6.6.1 Start Up Current	46
6.7 Reliability	47
6.7.1 Contact Start Stop (CSS)	47
6.7.2 Data Reliability	47
6.7.3 Seek/ID Mis-compare Errors	47
6.7.4 Equipment Errors	47
6.7.5 Failure Prediction ( PFA / S.M.A.R.T.)	47
6.7.6 Automatic Drive Maintenance (ADM)	48
6.7.7 Preventive Maintenance	48
6.7.8 Temperature Warning	48
6.8 Mechanical Specifications	49
6.8.1 Outline	49
6.8.2 Mechanical Dimensions	51
6.8.3 Interface Connector	52
6.8.4 Mounting Positions and Tappings	54
6.8.5 Shipping Zone and Lock	55
6.8.6 Breather Hole	55
6.9 Vibration and Shock	56
6.9.1 Operating Vibration	56
6.9.2 Non-Operating Vibrations	57
6.9.3 Operating Shock	57
6.9.4 Non-Operating Shock	57
6.10 Acoustics	58
6.10.1 Sound Power Levels	58
6.11 Identification Labels	59
6.12 Electromagnetic Compatibility	59
6.12.1 CE Mark	59
6.12.2 C-Tick Mark	59
6.13 Safety	60
6.13.1 Underwriters Lab (UL) Approval	60
6.13.2 Canadian Standards Authority (CSA) Approval	60
6.13.3 IEC Compliance	60
6.13.4 German Safety Mark	60
6.13.5 Flammability	60
6.13.6 Secondary Circuit Protection	60
6.14 Packaging	60
<hr/>	
<b>Part 2. SCSI Interface Specification</b>	<b>61</b>
<b>7.0 SCSI COMMAND SET</b>	<b>63</b>
7.1 SCSI Control Byte	64
7.2 Abbreviations	64
7.3 Byte ordering conventions	64
7.4 FORMAT UNIT (04)	65

7.4.1 Defect List	66
7.4.2 Defect Descriptor	67
7.5 INQUIRY (12)	69
7.6 Inquiry data	70
7.6.1 Inquiry Data Format - EVPD = 0	71
7.6.2 Inquiry Data Format - EVPD = 1 - Page Code = 00	74
7.6.3 Inquiry Data Format - EVPD = 1 - Page Code = 80h	75
7.7 LOG SELECT (4C)	76
7.8 LOG SENSE (4D)	77
7.8.1 Log Page parameters	78
7.8.2 Log Sense Page 0	79
7.8.3 Log Sense Page 2	80
7.8.4 Log Sense Page 3	82
7.8.5 Log Sense Page 5	84
7.8.6 Log Sense Page 6	86
7.8.7 Log Sense Page 2F	87
7.8.8 Log Sense Page 30	88
7.8.9 Log Sense Page 31	88
7.8.10 Log Sense Page 32	88
7.8.11 Log Sense Page 3E	88
7.8.12 Log Sense Page 3F	88
7.9 MODE SENSE (1A)	89
7.9.2 Mode Parameter List	90
7.9.3 Page 0 (Vendor Unique Parameters)	94
7.9.4 Page 1 (Read/Write Error Recovery Parameters)	98
7.9.5 Page 2 (Disconnect/Reconnect Parameters)	103
7.9.6 Page 3 (Format Device Parameters)	105
7.9.7 Page 4 (Rigid Disk Drive Geometry Parameters)	107
7.9.8 Page 7 (Verify Error Recovery Parameters)	108
7.9.9 Page 8 (Caching Parameters)	110
7.9.10 Page A (Control Mode Page Parameters)	113
7.9.11 Page 0C (Notch Parameters)	115
7.9.12 Page 1A (Power Control)	117
7.9.13 Page 1C (Informational Exceptions Control)	118
7.10 MODE SENSE (5A)	120
7.11 MODE SELECT (15)	121
7.12 MODE SELECT (55)	123
7.13 PRE-FETCH (34)	124
7.14 READ (08)	125
7.15 READ CAPACITY (25)	126
7.16 READ DEFECT DATA (37)	128
7.16.1 Defect List Header	129
7.16.2 Bytes from Index Format (100b)	129
7.16.3 Physical Sector Format (101b)	129
7.17 READ DEFECT DATA (B7)	131
7.17.1 Defect List Header	132
7.17.2 Bytes from Index Format (100b)	132
7.17.3 Physical Sector Format (101b)	133
7.18 READ EXTENDED (28)	134
7.19 READ BUFFER (3C)	135
7.19.1 Combined Header And Data (Mode 000)	135
7.19.2 Read Data (Mode 010b)	136
7.19.3 Descriptor (Mode 011b)	136
7.20 READ LONG (3E)	138
7.21 REASSIGN BLOCKS (07)	139

7.22 RECEIVE DIAGNOSTICS (1C)	141
7.22.1 Receive Diagnostic Page 0	141
7.22.2 Receive Diagnostic Page 40	141
7.23 RELEASE (17)	143
7.24 RELEASE (57)	144
7.25 REPORT LUN (A0)	145
7.26 REQUEST SENSE (03)	147
7.27 RESERVE (16)	148
7.28 RESERVE (56)	149
7.29 REZERO UNIT (01)	151
7.30 SEEK (0B)	152
7.31 SEEK EXTENDED (2B)	153
7.32 SEND DIAGNOSTIC (1D)	154
7.32.1 Send Diagnostic Pages 0	155
7.32.2 Send Diagnostic Pages 40	155
7.33 START/STOP UNIT (1B)	157
7.34 SYNCHRONIZE CACHE (35)	158
7.35 TEST UNIT READY (00)	159
7.36 VERIFY (2F)	160
7.37 WRITE (0A)	161
7.38 WRITE EXTENDED (2A)	162
7.39 WRITE AND VERIFY (2E)	163
7.40 WRITE BUFFER (3B)	164
7.40.1 Combined Header And Data (Mode 000b)	164
7.40.2 Write Data (Mode 010b)	165
7.40.3 Download Microcode (Mode 100b)	165
7.40.4 Download Microcode and Save (Mode 101b)	166
7.41 WRITE LONG (3F)	169
7.42 WRITE SAME (41)	170
<b>8.0 SCSI Status Byte</b>	<b>171</b>
<b>9.0 SCSI MESSAGE SYSTEM</b>	<b>173</b>
9.1 Supported Messages	173
9.1.1 COMMAND COMPLETE (00)	174
9.1.2 SYNCHRONOUS DATA TRANSFER REQUEST (01,03,01H)	174
9.1.3 WIDE DATA TRANSFER REQUEST (01,02,03H)	177
9.1.4 SAVE DATA POINTER (02)	179
9.1.5 RESTORE POINTERS (03)	179
9.1.6 DISCONNECT (04)	179
9.1.7 INITIATOR DETECTED ERROR (05)	180
9.1.8 ABORT (06)	180
9.1.9 MESSAGE REJECT (07)	180
9.1.10 NO OPERATION (08)	180
9.1.11 MESSAGE PARITY ERROR (09)	181
9.1.12 LINKED COMMAND COMPLETE (0A)	181
9.1.13 LINKED COMMAND COMPLETE WITH FLAG (0B)	181
9.1.14 BUS DEVICE RESET (0C)	181
9.1.15 ABORT TAG (0D)	181
9.1.16 CLEAR QUEUE TAG (0E)	181
9.1.17 QUEUE TAG MESSAGES(20h, 21h, 22h)	181
9.1.18 IGNORE WIDE RESIDUE (23h)	182
9.1.19 IDENTIFY (80 - FF)	183
9.2 Supported Message Functions	183
9.3 Attention Condition	185



9.4 SCSI Bus Related Error Handling Protocol	185
9.4.1 Unexpected BUS FREE Phase Error Condition	186
9.4.2 MESSAGE OUT Phase Parity Error	186
9.4.3 MESSAGE IN Phase Parity Error (Message Parity Error)	186
9.4.4 COMMAND Phase Parity Error	186
9.4.5 DATA OUT Phase Parity Error	186
9.4.6 INITIATOR DETECTED ERROR Message	187
9.4.7 MESSAGE REJECT Message	187
<b>10.0 Additional Information</b>	<b>189</b>
10.1 SCSI Protocol	189
10.1.1 Priority of SCSI Status Byte Reporting	189
10.1.2 Invalid LUN in Identify Message	189
10.1.3 Incorrect Initiator Connection	190
10.1.4 Command Processing During Execution of Active I/O process	190
10.1.5 Unit Attention Condition	193
10.1.6 Command Processing During Start-up and Format Operations	193
10.1.7 Internal Error Condition	194
10.1.8 Deferred Error	194
10.1.9 Degraded Mode	195
10.1.10 Command Processing While Reserved	201
10.2 Priority Commands	202
10.3 Command queuing	202
10.3.1 Queue depth	203
10.3.2 Tagged queuing	203
10.3.3 Untagged queuing	203
10.3.4 Command queuing rule	203
10.3.5 Queue Full status	203
10.3.6 Device behavior on Command queuing	203
10.4 Command reordering	204
10.5 Concurrent I/O Process	204
10.6 Back to Back Write	204
10.7 Write Cache	205
10.8 Power Saving Mode	205
10.9 Automatic Rewrite/Reallocate	205
10.10 Segmented Caching	207
10.10.1 Overview	207
10.10.2 Read Ahead	207
10.11 Reselection Timeout	207
10.12 Single Initiator Selection	207
10.13 Non-arbitrating systems	207
10.14 Selection without ATN	208
10.15 Multiple Initiator Environment	208
10.15.1 Initiator Sense Data	208
10.15.2 Initiator Mode Select/Mode Sense Parameters	208
10.15.3 Initiator Data Transfer Mode Parameter	208
10.16 Contingent allegiance Condition	209
10.17 Reset	210
10.17.1 Reset Sources	210
10.17.2 Reset Actions	210
10.18 Diagnostics	211
10.18.1 Power on Diagnostics	211
10.18.2 Diagnostics Command	211
10.18.3 Diagnostics Fault Reporting	211
10.19 Idle Time Functions	212

<b>11.0 SCSI SENSE DATA</b> .....	213
11.1 SCSI Sense Data Format .....	213
11.2 Sense Data Description .....	214
11.2.1 Valid (Bit 7 of byte 0) .....	214
11.2.2 Error Code (Bit 6 - 0 of byte 0) .....	214
11.2.3 ILI : Incorrect Length Indicator (Bit 5 of byte 2) .....	214
11.2.4 Sense Key (Bit 3 - 0 of byte 2) .....	214
11.2.5 Information Bytes (Byte 3 thru 6) .....	215
11.2.6 Additional Sense Length (Byte 7) .....	215
11.2.7 Command Specific Information (Byte 8 thru 11) .....	215
11.2.8 Additional Sense Code/Qualifier (Byte 12 and 13) .....	216
11.2.9 FRU : Field Replaceable Unit (Byte 14) .....	219
11.2.10 Sense Key Specific (Byte 15 thru 17) .....	219
11.2.11 Reserved (Byte 18 thru 19) .....	220
11.2.12 Reserved (Byte 20 thru 23) .....	221
11.2.13 Physical Error Record (Byte 24 thru 29) .....	221
11.2.14 Reserved (Byte 30 thru 31) .....	221
<b>Index</b> .....	223

---

# 1.0 General

---

## 1.1 Introduction

This document describes the specifications of the following IBM 3.5 inch SCSI drives.

- DNES-318350
  - Fast-20 SE 50-pin (with SCSI active terminator)
  - Fast-20 SE 68-pin Wide (with SCSI active terminator)
  - Fast-40/20 LVD/SE Multi-mode 68-pin Wide (without SCSI terminator)
  - Fast-40/20 LVD/SE Multi-mode 80-pin SCA-2 (without SCSI terminator)
  
- DNES-309170
  - Fast-20 SE 50-pin (with SCSI active terminator)
  - Fast-20 SE 68-pin Wide (with SCSI active terminator)
  - Fast-40/20 LVD/SE Multi-mode 68-pin Wide (without SCSI terminator)
  - Fast-40/20 LVD/SE Multi-mode 80-pin SCA-2 (without SCSI terminator)

**Note:** The specifications in this document are subject to change without notice.

---

## 1.2 References

- 'draft' ANSI SCSI-2 standard, Revision 10L, Jan 1994 (Document X3.1311-1994)
- 'draft' ANSI SCSI-3 Fast-20, X3T10/1071D
- 'draft' ANSI Parallel Interface-2 (SPI-2), T10 Project-1142D Revision 19
- SFF-8301 Rev 1.2 (Refer to 6.8, "Mechanical Specifications" on page 49)

**Note:** The interface conforms to the referred documents. The vendor specific items and options supported by the drive are described in each section.

---

## 1.3 Glossary

<i>Word</i>	<i>Meaning</i>
<b>Kbpi</b>	1,000 Bits Per Inch
<b>Mbps</b>	1,000,000 Bits per second
<b>GB</b>	1,000,000,000 bytes
<b>MB</b>	1,000,000 bytes
<b>KB</b>	1,000 bytes unless otherwise specified
<b>32KB</b>	32 x 1,024 bytes
<b>64KB</b>	64 x 1,024 bytes
<b>Mb/sq.in</b>	1,000,000 bits per square inch
<b>MLC</b>	Machine Level Control
<b>PFA</b>	Predictive Failure Analysis (Trademark of IBM Corp.)
<b>S.M.A.R.T.</b>	Self-Monitoring Analysis and Reporting Technology
<b>ADM</b>	Automatic Drive Maintenance
<b>SCAM</b>	SCSI Configured AutoMatically
<b>SE</b>	Single Ended SCSI
<b>LVD</b>	Low Voltage Differential SCSI
<b>FC-AL</b>	Fiber Channel - Arbitrated Loop

---

## 1.4 General Caution

The drive can be easily damaged by shocks or ESD (Electric Static Discharge), so any damages applied to the drive after taking out from the shipping package or opening of the ESD protective bag are the user's responsibility.

---

## 1.0 Outline of the drive

- Data capacity 18/9 GB
- SE models (50/68-pin with SCSI active terminator)
- LVD/SE Multi-mode models (68/80-pin without SCSI terminator)
- SCSI-2 Standard
- SCSI-3 FAST-20 WIDE ( 40 Mbytes/sec transfer )
- LVD FAST-40 WIDE ( 80 Mbytes/sec transfer )
- Tagged Command Queuing
- Multi-initiator support
- 512 Bytes/sector
- Interleave factor 1:1
- Write Cache
- 2 MB segmented sector buffer, 128KBx14, 256KBx7, 512KBx3 selectable
- ECC on the fly
- Automatic error recovery procedures for read and write commands
- Self diagnostics on power on and resident diagnostics
- Automatic Defect Reallocation
- 7 msec seek time in read operation
- 7200rpm spindle rotation.
- Closed loop actuator servo
- Dedicated head landing zone
- Automatic actuator lock
- Temperature warning
- PFA (SMART)

**Note:** PFA which means Predictive Failure Analysis is Trademark of IBM Corporation.



---

## Part 1. Functional Specification





---

## 2.0 Fixed Disk Subsystem Description

---

### 2.1 Control Electronics

The drive is electronically controlled by a microprocessor, several logic modules, digital/analogue modules, and various drivers and receivers. The control electronics perform the following major functions:

- Conducts a power-up sequence and calibrates the servo.
- Monitors various timers for head settling, servo failure, etc.
- Analyzes servo signals to provide closed loop control. These include position error signal and estimated velocity.
- Controls the voice coil motor driver to align the actuator onto a desired position.
- Monitors the actuator position and determines the target track for a seek operation.
- Constantly monitors error conditions of the servo and takes corresponding action if an error occurs.
- Controls starting, stopping, and rotating speed of the spindle.
- Controls and interprets all interface signals between the host controller and the drive.
- Controls read write accessing of the disk media, including defect management and error recovery.
- Performs self-checkout (diagnostics).

---

### 2.2 Head Disk Assembly

The head disk assembly (HDA) is assembled in a clean room environment and contains a disk and actuator assembly. Air is constantly circulated and filtered when the drive is operational. Venting of the HDA is accomplished via a breather filter.

The spindle is driven directly by a brushless, sensorless DC drive motor. Dynamic braking is used to stop the spindle quickly.

---

### 2.3 Actuator

The read/write heads are mounted in the actuator. The actuator is a swing-arm assembly driven by a voice coil motor. A closed-loop positioning servo controls the movement of the actuator. An embedded servo pattern supplies feedback to the positioning servo to keep the read/write heads centered over the desired track.

The actuator assembly is balanced to allow vertical or horizontal mounting without adjustment.

When the drive is powered off, the actuator automatically moves the head to a dedicated landing zone outside of the data area, where the actuator is locked.



## 3.0 Drive Characteristics

This chapter provides the characteristics of the drive.

### 3.1 Formatted Capacity

Description	DNES-318350	DNES-309170
Label Capacity (MB)	18350	9170
Bytes per Sector	512	512
Sectors per Track	247-390	247-390
Number of heads	10	5
Number of disks	5	3
Number of LBAs	35,843,670	17,916,240
Total Logical Data Bytes	18,351,959,040	9,173,114,880

Figure 1. Formatted Capacity

### 3.2 Data Sheet

Figure 2. Data Sheet	
Buffer to/from media [Mbit/sec]	159 to 244
Host to/from buffer ( Interface transfer rate ) [Mbyte/sec]	20 (50-pin FAST-20) 40 (68/80-pin FAST-20 WIDE) 80 (68/80-pin FAST-40 WIDE)
Data buffer size	1792 Kbyte
Number of buffer segments	3 x 512 KB 7 x 256 KB 14 x 128 KB
Rotational speed [RPM]	7200
Recording density [Kbpi]	220 (Max)
Track density [TPI]	13700
Areal density [Mb/sq.in.]	3025 (Max)
Data zone	11

---

### 3.3 Cylinder Allocation

	Phys. Cyl.	Sectors/Trk
System Area		
Data Zone 0	0-375	390
Data Zone 1	376-1258	374
Data Zone 2	1259-2238	364
Data Zone 3	2239-3452	351
Data Zone 4	3453-4485	338
Data Zone 5	4486-5504	325
Data Zone 6	5505-7016	312
Data Zone 7	7017-8726	286
Data Zone 8	8727-9776	273
Data Zone 9	9777-10640	260
Data Zone 10	10641-11473	247
System Area		

Mode page 03 (Format Device Parameters) and 0C (Notch Parameters) provide methods to determine medium format and zone parameters. See 7.9.6, “Page 3 (Format Device Parameters)” on page 105, and 7.9.11, “Page 0C (Notch Parameters)” on page 115.

---

### 3.4 Performance Characteristics

A drive performance is characterized by the following parameters:

- Command Overhead
- Mechanical Positioning
  - Seek Time
  - Latency
- Data Transfer Speed
- Buffering Operation (Lookahead/Write cache)

**Note:** All the above parameters contribute to drive performance. There are other parameters that contribute to the performance of the actual system. This specification tries to define the bare drive characteristics, not the system throughput which will depend on the system and the application.

### 3.4.1 Command overhead

Command overhead is defined as the time required:

- from last byte of command phase
- to the first byte of data phase
- excluding
  - Physical seek time
  - Latency time
  - Initiator delay with reconnections

Read Command Case with 6x64KB buffer (Drive is in quiescence state)	Time
Cache Not Hit	<0.40msec
Cache Hit	<0.03msec

Figure 3. Command Overhead

### 3.4.2 Mechanical Positioning

#### 3.4.2.1 Average Seek Time (Including Settling)

Figure 4. Mechanical Positioning Performance		
Command Type	Typical	Max
Read	7.0 [msec]	8.0 [msec]
Write	8.0 [msec]	9.0 [msec]

“Typical” and “Max” are given throughout the performance specification by;

**Typical** Average of the drive population tested at nominal environmental and voltage conditions.  
**Max** Maximum value measured on any one drive over the full range of the environmental and voltage conditions. (See 6.4, “Environment” on page 42 and 6.6, “DC Power Requirements” on page 44 for ranges.)

The seek time is measured from the start of actuator's motion to the start of **a reliable read or write operation**. Reliable read or write implies that error correction/recovery is not used to correct arrival problems. The average seek time is measured as the weighted average of all possible seek combinations.

$$\text{Weighted Average} = \frac{\sum_{n=1}^{\max} (\max + 1 - n) (Tn.in + Tn.out)}{(\max + 1) (\max)}$$

Where:

max = Maximum seek length

n = Seek length (1 to max)

Tn.in = Inward measured seek time for an n track seek

Tn.out = Outward measured seek time for an n track seek

### 3.4.2.2 Full Stroke Seek

Figure 5. Full Stroke Seek Time		
Function	Typical	Max.
Read [msec]	13.0	15.0
Write [msec]	14.0	16.0

Full stroke seek is measured as the average of 1000 full stroke seeks with a **random head switch** from both directions (inward and outward).

### 3.4.2.3 Cylinder Switch Time (Cylinder Skew)

Figure 6. Cylinder Skew	
	Typical
Cylinder Skew	2.6 [msec]

A cylinder switch time is defined as the amount of time required by the fixed disk access the next sequential block after reading the last sector in the current cylinder.

The measured method is given in 3.4.7, “Throughput” on page 15.

### 3.4.2.4 Head Switch Time (Head Skew)

Figure 7. Head Skew	
	Typical
Head Skew	1.6 [msec]

### 3.4.2.5 Average Latency

Figure 8. Latency Time		
Rotation	Time for a revolution	Average Latency
7200 [RPM]	8.33 [msec]	4.17 [msec]

### 3.4.3 Drive Ready Time

Figure 9. Drive Ready Time		
Model	Typical	Max.
DNES-318350	15.0 [sec]	19.9 [sec]
DNES-309170	11.0 [sec]	19.9 [sec]

**Ready** The condition in which the drive is able to perform a media access command (eg. read, write) immediately. If a command is received during power on before ready, the drive ready time becomes longer than the specified value.

**Power On** This includes the time required for the internal self diagnostics.

### 3.4.4 Spindle Stop Time

Figure 10. Spindle Stop Time		
Model	Typical	Max.
DNES-318350	12.0 [sec]	14.0 [sec]
DNES-309170	9.0 [sec]	10.0 [sec]

The period from power off to complete stop of spindle is categorized as operating, and **Operating Shock criteria** are applied until complete stop of spindle.

Refer to 6.9.3, “Operating Shock” on page 57.

### 3.4.5 Data Transfer Speed

Figure 11. Data Transfer Speed	
Description	Typical
Disk-Buffer Transfer (Zone 0)	
(Instantaneous)	32.0 [Mbyte/sec]
(Sustained)	DNES-318350 20.2 [Mbyte/sec] DNES-309170 20.0 [Mbyte/sec]
Disk-Buffer Transfer (Zone 7)	
(Instantaneous)	21.0 [Mbyte/sec]
(Sustained)	DNES-318350 12.7 [Mbyte/sec] DNES-309170 12.7 [Mbyte/sec]
Buffer-Host	
50-pin FAST-20	20 [Mbyte/sec]
68-pin / 80-pin FAST-20 Wide	40 [Mbyte/sec]
68-pin / 80-pin FAST-40 Wide	80 [Mbyte/sec]

- Instantaneous disk-buffer transfer rate (Mbyte/sec) is derived by:  
 $(\text{Number of sectors on a track}) \times 512 \times (\text{revolution/sec})$

**Note:** Number of sectors per track will vary because of the linear density recording.

- Sustained disk-buffer transfer rate (Mbyte/sec) is defined by considering head/cylinder change time. This gives a local average data transfer rate. It is derived by:

$$(\text{Sustained Transfer Rate}) = A / (B + C + D)$$

$$A = (\text{Number of data sectors per cylinder}) * 512$$

$$B = ((\text{\# of Surface per cylinder}) - 1) * (\text{Head switch time})$$

$$C = (\text{Cylinder change time})$$

$$D = (\text{\# of Surface}) * (\text{One revolution time})$$

- Instantaneous Buffer-Host Transfer Rate (Mbyte/sec) defines the maximum data transfer rate on SCSI Bus. It also depends on the speed of the host.

The measurement method is given in 3.4.7, “Throughput” on page 15.

### **3.4.6 Buffering Operation (Lookahead/Write Cache)**

At shipment, the total 1792K bytes of the buffer is divided into 7 segmented blocks.

The segment size can be changed by Mode Page 8. See 7.9.9, “Page 8 (Caching Parameters)” on page 110 for details.



## 3.4.7 Throughput

### 3.4.7.1 Simple Sequential Access

Figure 12. Simple Sequential Access Performance		
Operation	Typical	Max
Sequential Read/Write	Zone 0 1400 [msec]	Zone 0 1408 [msec]
	Zone 11 1831 [msec]	Zone 11 1842 [msec]

The above table gives the time required to read/write for a total of 8000x consecutive blocks (16,777,216 bytes) accessed by 128 read/write commands. Typical and Max values are given by 105% and 110% of T respectively throughout following performance description.

**Note:** Assumes a host system responds instantaneously.

$$T = (A * 128) + B + C + 16,777,216/D + 512/E \quad (\text{READ})$$

$$T = (A * 128) + B + C + 16,777,216/D \quad (\text{WRITE})$$

where:

T = Calculated Time (sec)

A = Command Process Time (Pre/Post Command overhead)

B = Average Seek Time

C = Average Latency

D = Sustained Disk-Buffer Transfer Rate (Mbyte/sec)

E = Buffer-Host Transfer Rate (Mbyte/sec)

### 3.4.7.2 Random Access

Figure 13. Random Access Performance		
Operation	Typical	Max
Random Read	52.2 [sec]	54.7 [sec]
Random Write	55.2 [sec]	57.8 [sec]

The above table gives the time required to execute a total of 1000x read/write commands which access a random LBA.

$$T = (A + B + C + 512/D + 512/E) * 4096 \quad (\text{READ})$$

$$T = (A + B + C + 512/D) * 4096 \quad (\text{WRITE})$$

where:

T = Calculated Time (sec)

A = Command Process Time (Pre/Post Command overhead)

B = Average Seek Time

C = Average Latency

D = Sustained Disk-Buffer Transfer Rate (Mbyte/sec)

E = Buffer-Host Transfer Rate (Mbyte/sec)



---

## 4.0 Data integrity

The drive retains recorded information under all non-write operations.

No more than one sector can be lost by power down during write operation while write cache is disabled.

If power down occurs before completion of data transfer from write cache to disk while write cache is enabled, the data remaining in write cache will be lost. To prevent this data loss at power off, the following action is recommended:

- To confirm successful completion of SYNCHRONIZE CACHE (35h) command.

---

## 4.1 Equipment Status

Equipment status is available to the host system any time the drive is not ready to read, write, or seek. This status normally exists at power-on time and will be maintained until the following conditions are satisfied.

- Access recalibration/tuning is complete.
- Spindle speed meets requirements for reliable operations.
- Self-check of drive is complete.

Appropriate error status is made available to the host system if any of the following condition occurs after the drive has become ready:

- Spindle speed goes outside of requirements for reliable operation.
- “Write fault” is detected.

---

## 4.2 Error Recovery

Errors occurring with the drive are handled by the error recovery procedure.

Errors that are uncorrectable after application of the error recovery procedures are reported to the host system as non-recoverable errors.



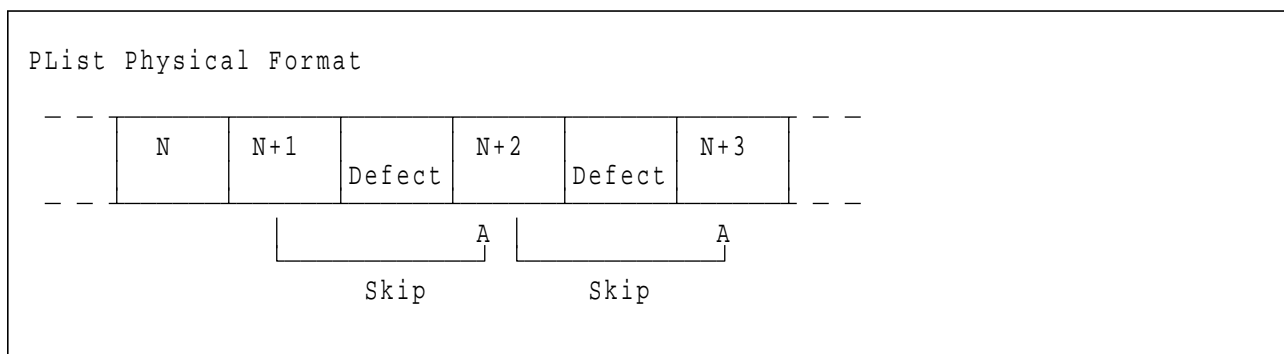
## 5.0 Physical Format

Media defects are remapped to the next available sector during Format Process in manufacturing. The mapping from LBA to the physical locations is calculated by an internal maintained table.

---

### 5.1 Shipped Format (PList)

- Data areas are optimally used.
- No extra sector is wasted as a spare throughout user data areas.
- All pushes generated by defects are absorbed by spare tracks of inner zone.



Defects are skipped without any constraint, such as track or cylinder boundary. The calculation from LBA to physical is done automatically by internal table.

---

### 5.2 Reassigned Format (G-List)

- G-List is prepared for 3327 LBAs.  
Re-re-assign of the same LBA does not increase G-List entry.  
A cylinder for spare sectors is prepared in every 256 cylinders.

**Note:** There is possibility to have G-List entry during the drive usage including early period. It is mainly caused by handling problem, and G-List entry is normal maintenance work of Hard Disk Drive.



## 6.0 Specification

### 6.1 Electrical Interface Specification

#### 6.1.1 Power Connector

Power pin assignment of 80-pin (SCA-2) model is shown in 6.8.3.3, “80-pin Model” on page 53 and 6.1.2.4, “SCSI Signal Connector (80-pin SCA-2 LVD/SE Multi-mode)” on page 25.

Power connector of 50-pin models comply with the ANSI SCSI“A” connector specifications.  
Power connector of 68-pin models comply with the ANSI SCSI“P” connector specifications.  
Connector of 80-pin models comply with SFF-8046 Revision 2.1.

Power pin assignment of 50-pin and 68-pin models is as shown below.

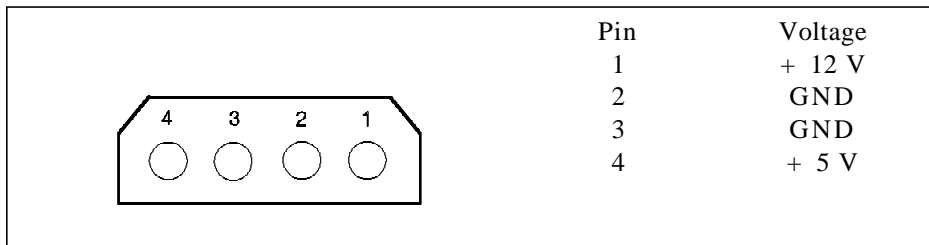


Figure 14. Power Connector Pin Assignments

#### 6.1.2 SCSI Bus Connector

DNES-3xxxxx has 50-pin, 68-pin or 80-pin SCA-2 SCSI connectors as follows.

Figure 15. SCSI Connector vs Models			
Model	50-pin	68-pin	80-pin SCA-2
SE model	Yes	Yes	No
LVD/SE Multi-mode model	No	Yes	Yes

### 6.1.2.1 SCSI Signal Connector (50-pin SE)

The SCSI signal connector complies with ANSI SCSI-2.

Figure 16. Table of Signals

PIN	SIGNAL	PIN	SIGNAL
01	Ground	02	-DB(0)
03	Ground	04	-DB(1)
05	Ground	06	-DB(2)
07	Ground	08	-DB(3)
09	Ground	10	-DB(4)
11	Ground	12	-DB(5)
13	Ground	14	-DB(6)
15	Ground	16	-DB(7)
17	Ground	18	-DB(P)
19	Ground	20	Ground
21	Ground	22	Ground
23	Ground	24	Ground
25	Open	26	TRM Power
27	Ground	28	Ground
29	Ground	30	Ground
31	Ground	32	-ATN
33	Ground	34	Ground
35	Ground	36	-BSY
37	Ground	38	-ACK
39	Ground	40	-RST
41	Ground	42	-MSG
43	Ground	44	-SEL
45	Ground	46	-C/D
47	Ground	48	-REQ
49	Ground	50	-I/O



### 6.1.2.2 SCSI Signal Connector (68-pin SE)

The pin assignments of interface signals conforms to ANSI SCSI-3 X3T10/855D as follows.

Figure 17. Table of Signals

Connector Contact Number	Signal Name	Connector Contact Number	Signal Name
01	Ground	35	-DB(12)
02	Ground	36	-DB(13)
03	Ground	37	-DB(14)
04	Ground	38	-DB(15)
05	Ground	39	-DB(P1)
06	Ground	40	-DB(0)
07	Ground	41	-DB(1)
08	Ground	42	-DB(2)
09	Ground	43	-DB(3)
10	Ground	44	-DB(4)
11	Ground	45	-DB(5)
12	Ground	46	-DB(6)
13	Ground	47	-DB(7)
14	Ground	48	-DB(P0)
15	Ground	49	Ground
16	Ground	50	Ground
17	TERMPWR	51	TERMPWR
18	TERMPWR	52	TERMPWR
19	(Open)	53	(Open)
20	Ground	54	Ground
21	Ground	55	-ATN
22	Ground	56	Ground
23	Ground	57	-BSY
24	Ground	58	-ACK
25	Ground	59	-RST
26	Ground	60	-MSG
27	Ground	61	-SEL
28	Ground	62	-C/D
29	Ground	63	-REQ
30	Ground	64	-I/O
31	Ground	65	-DB(8)
32	Ground	66	-DB(9)
33	Ground	67	-DB(10)
34	Ground	68	-DB(11)

**Note:** 8 bit devices which connect to the P-cable should be the following signals inactive (high):  
 -DB(8),-DB(9),-DB(10),-DB(11),-DB(12),-DB(13),-DB(14),-DB(15),-DB(P1)  
 All other signals shall be connected as defined.

### 6.1.2.3 SCSI Signal Connector (68-pin LVD/SE Multi-mode)

The pin assignments of interface signals conforms to ANSI SPI-2 T10 Project 1142D Revision 19 as follows.

Figure 18. Table of Signals

Connector Contact Number	Signal Name	Connector Contact Number	Signal Name
01	+DB(12)	35	-DB(12)
02	+DB(13)	36	-DB(13)
03	+DB(14)	37	-DB(14)
04	+DB(15)	38	-DB(15)
05	+DB(P1)	39	-DB(P1)
06	+DB(0)	40	-DB(0)
07	+DB(1)	41	-DB(1)
08	+DB(2)	42	-DB(2)
09	+DB(3)	43	-DB(3)
10	+DB(4)	44	-DB(4)
11	+DB(5)	45	-DB(5)
12	+DB(6)	46	-DB(6)
13	+DB(7)	47	-DB(7)
14	+DB(P)	48	-DB(P0)
15	Ground	49	Ground
16	DIFFSENS	50	Ground
17	Reserved	51	Reserved
18	Reserved	52	Reserved
19	Reserved	53	Reserved
20	Ground	54	Ground
21	+ATN	55	-ATN
22	Ground	56	Ground
23	+BSY	57	-BSY
24	+ACK	58	-ACK
25	+RST	59	-RST
26	+MSG	60	-MSG
27	+SEL	61	-SEL
28	+C/D	62	-C/D
29	+REQ	63	-REQ
30	+I/O	64	-I/O
31	+DB(8)	65	-DB(8)
32	+DB(9)	66	-DB(9)
33	+DB(10)	67	-DB(10)
34	+DB(11)	68	-DB(11)

### 6.1.2.4 SCSI Signal Connector (80-pin SCA-2 LVD/SE Multi-mode)

The 80-pin SCA-2 model uses an AMP connector which is compatible with SFF-8046 Revision 2.1.

Figure 19. Table of Signals

Connector Contact Number	Signal Name	Connector Contact Number	Signal Name
01	12 Volt Charge	41	12V Ground
02	12 Volt	42	12V Ground
03	12 Volt	43	12V Ground
04	12 Volt	44	MATED 1
05	Reserved	45	Reserved
06	Reserved	46	DIFFSENS
07	-DB(11)	47	+DB(11)
08	-DB(10)	48	+DB(10)
09	-DB(9)	49	+DB(9)
10	-DB(8)	50	+DB(8)
11	-I/O	51	+I/O
12	-REQ	52	+REQ
13	-C/D	53	+C/D
14	-SEL	54	+SEL
15	-MSG	55	+MSG
16	-RST	56	+RST
17	-ACK	57	+ACK
18	-BSY	58	+BSY
19	-ATN	59	+ATN
20	-DB(P0)	60	+DB(P0)
21	-DB(7)	61	+DB(7)
22	-DB(6)	62	+DB(6)
23	-DB(5)	63	+DB(5)
24	-DB(4)	64	+DB(4)
25	-DB(3)	65	+DB(3)
26	-DB(2)	66	+DB(2)
27	-DB(1)	67	+DB(1)
28	-DB(0)	68	+DB(0)
29	-DB(P1)	69	+DB(P1)
30	-DB(15)	70	+DB(15)
31	-DB(14)	71	+DB(14)
32	-DB(13)	72	+DB(13)
33	-DB(12)	73	+DB(12)
34	5 Volt	74	MATED 2
35	5 Volt	75	5V Ground
36	5 Volt Charge	76	5V Ground
37	Reserved	77	ACTIVE LED OUT
38	RMT START	78	DELAYED START
39	SCSI ID (0)	79	SCSI ID (1)
40	SCSI ID (2)	80	SCSI ID (3)

**Note:** Pin #38,39,40,77,78,79,80 work as Logical OR with jumper pins on Option Jumper Block.

## 6.1.3 SCSI Cable

### 6.1.3.1 SE mode

The maximum cumulative cable length when using single-ended transceiver should be 3 meters. Implementations that limit the transfer rate to a maximum of 5 Mbyte transfers per second may extend the cumulative cable length to 6 meters. (ANSI SCSI-3 X3T10/855D Revision 15a).

The maximum cumulative signal path between terminators shall be 3.0 meters when using up to 4 maximum capacitance (25pF) devices. The maximum cumulative signal path length between terminators shall be 1.5 meters when using from five to eight maximum capacitance devices. (ANSI SCSI-3 FAST-20 X3T10/1071D).

### 6.1.3.2 LVD mode

The maximum cumulative cable length when using LVD transceiver must be 12 meter. For the details of specification, refer to ANSI SCSI Parallel Interface-2 (SPI-2) T10 Project 1142D Revision 19.

## 6.1.4 SCSI Bus Terminator

### 6.1.4.1 SE model

Single-ended 50/68-pin models have SCSI active terminator. It can be enabled by installing a jumper plug at position #6 of J-4 jumper block, or connecting pins #9 and #10 of the auxiliary connector on 68-pin model. System is responsible for making sure that all required signals are terminated at both ends of the bus cable.

### 6.1.4.2 LVD/SE Multi-mode model

Both 68-pin and 80-pin of LVD/SE Multi-mode models **do not** have any SCSI Terminator.

It is user responsibility to make sure that all required signals are adequately terminated at both ends of the bus cable.

### 6.1.4.3 Terminator Power

The 50-pin and 68-pin models supply terminator power to pin #26 of 50-pin connector and pin #17,18,51,52 of 68-pin connector through current limiter and shotky diode when jumper plug is set at position #G of J-6 jumper block. For jumper setting, see 6.2, "Option Jumper Block" on page 28.

The 80-pin models **do not** supply terminator power.

## 6.1.5 Hot Plug / Unplug

The 80-pin (SCA-2) model supports Hot Plug/Unplug.

The 50-pin model and 68-pin model do not support Hot Plug/Unplug.

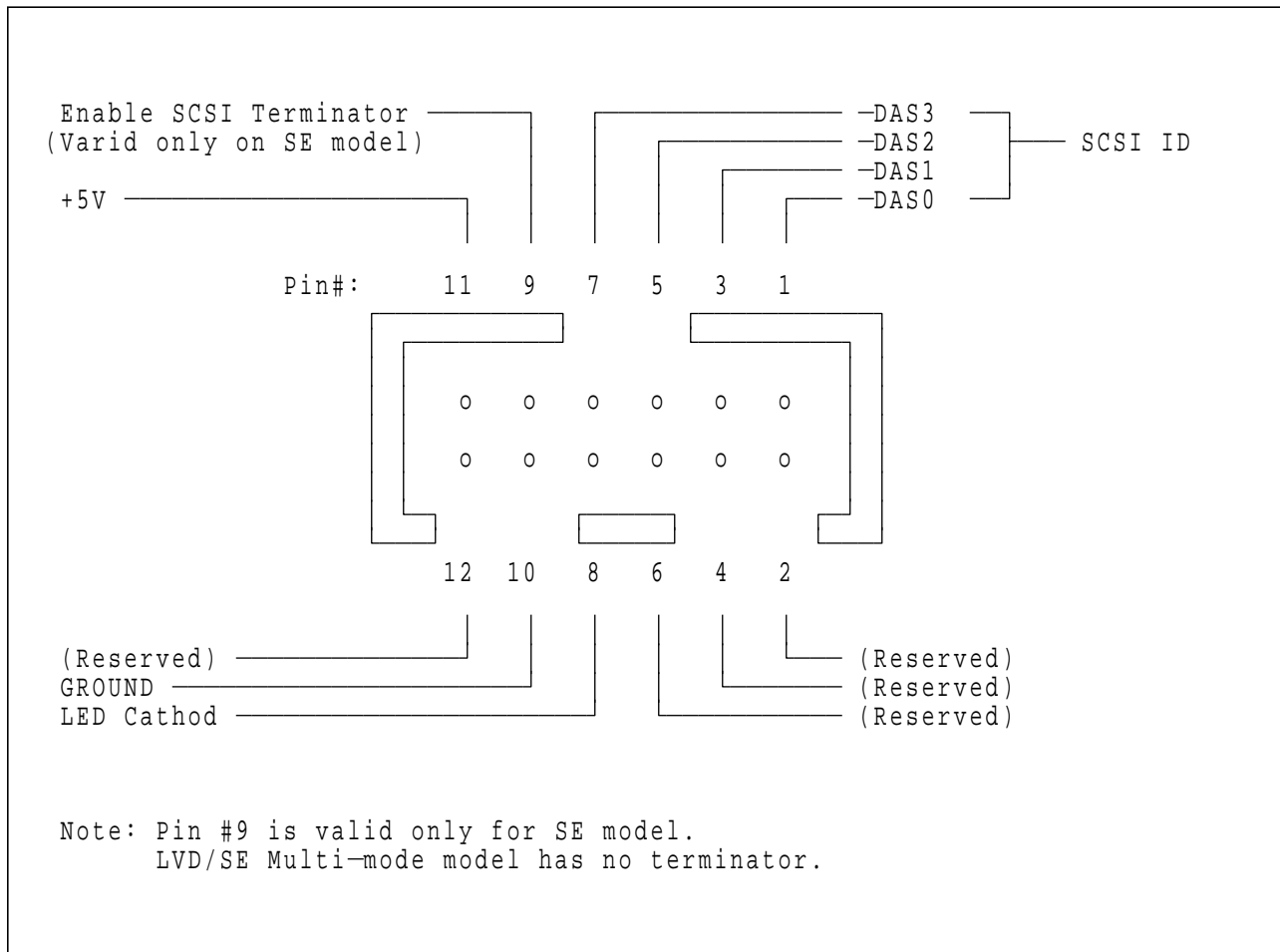
## 6.1.6 SCSI Bus Electrical Characteristics

SCSI Bus Electrical Characteristics of &modelx. comply with ANSI SPI-2 T10 Project 1142D Revision 19.

## 6.1.7 Auxiliary Connector on 68-pin Model

The 68-pin models contain Auxiliary Connector between power connector and 68-pin SCSI connector in addition to Option Jumper Block. The setting at Option Jumper Block and the Auxiliary Connector work as logical OR. The drive conforms SFF-8009 Rev3.0.

- Pin #1,3,5,7 specify SCSI-ID as -DAS0,1,2,3. Tie-down to the ground is to assert.
- Pin #2,4,6,12 are reserved, and should be open.
- Pin #8 is for external LED cathod.
- If pin #9 is tied-down to the ground on SE model, SCSI Terminator is enabled.



Auxiliary Connector

---

## 6.2 Option Jumper Block

Two jumper blocks, **J-4** and **J-6**, are located on the card of **50/68-pin** models as shown below.

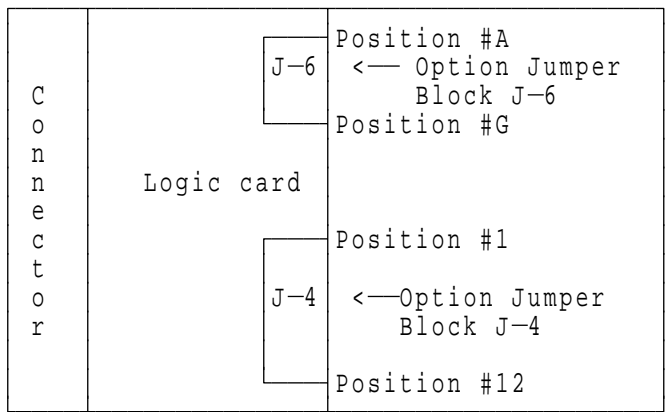
One jumper block, **J-4**, is located on the card of **80-pin** models as shown below.

**J-4** has 12 positions (#1 - #12).

Some of jumper pins on J-4 can be controlled also through Auxiliary Connector on 68-pin models as described in 6.1.7, “Auxiliary Connector on 68-pin Model” on page 27. These controls work as logical OR between Option Jumper Block and Auxiliary Connector.

Some of jumper pins on J-4 can be controlled also through 80-pin SCA-2 connector as described in 6.1.2.4, “SCSI Signal Connector (80-pin SCA-2 LVD/SE Multi-mode)” on page 25. These controls work as logical OR between Option Jumper Block and SCA-2 connector.

**J-6** has 7 positions (#A - #G) and controls Terminator Power supply.



Note: 80-pin models do not have Option Jumper Block J-6.

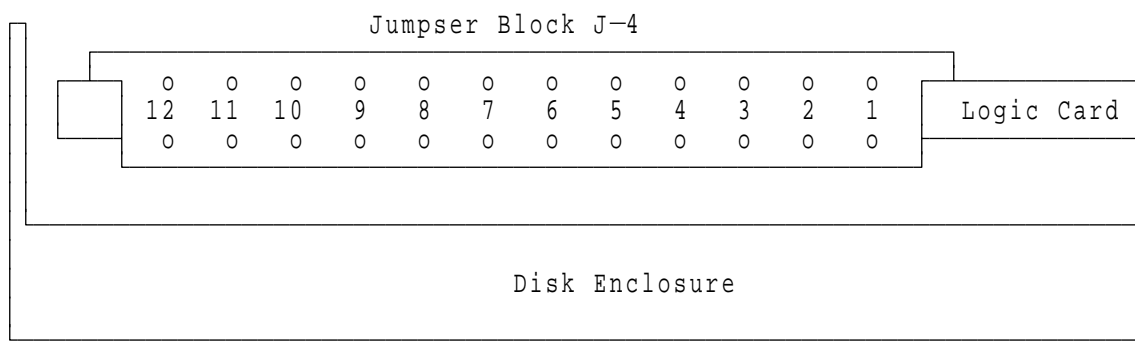
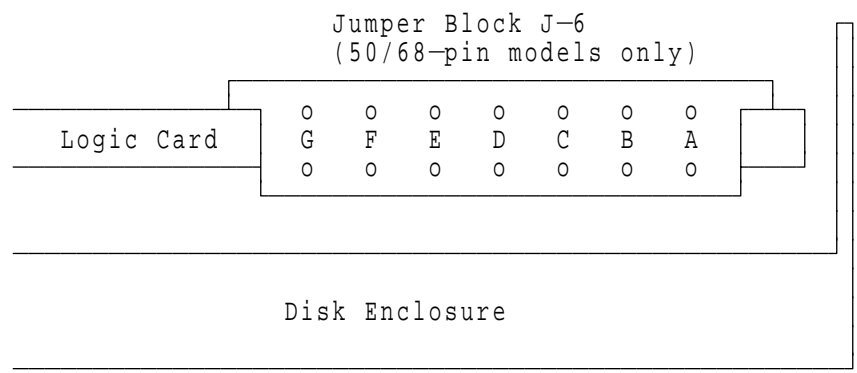


Figure 20. Jumper Pins

## 6.2.1 Jumper Pin of 50-pin SE model

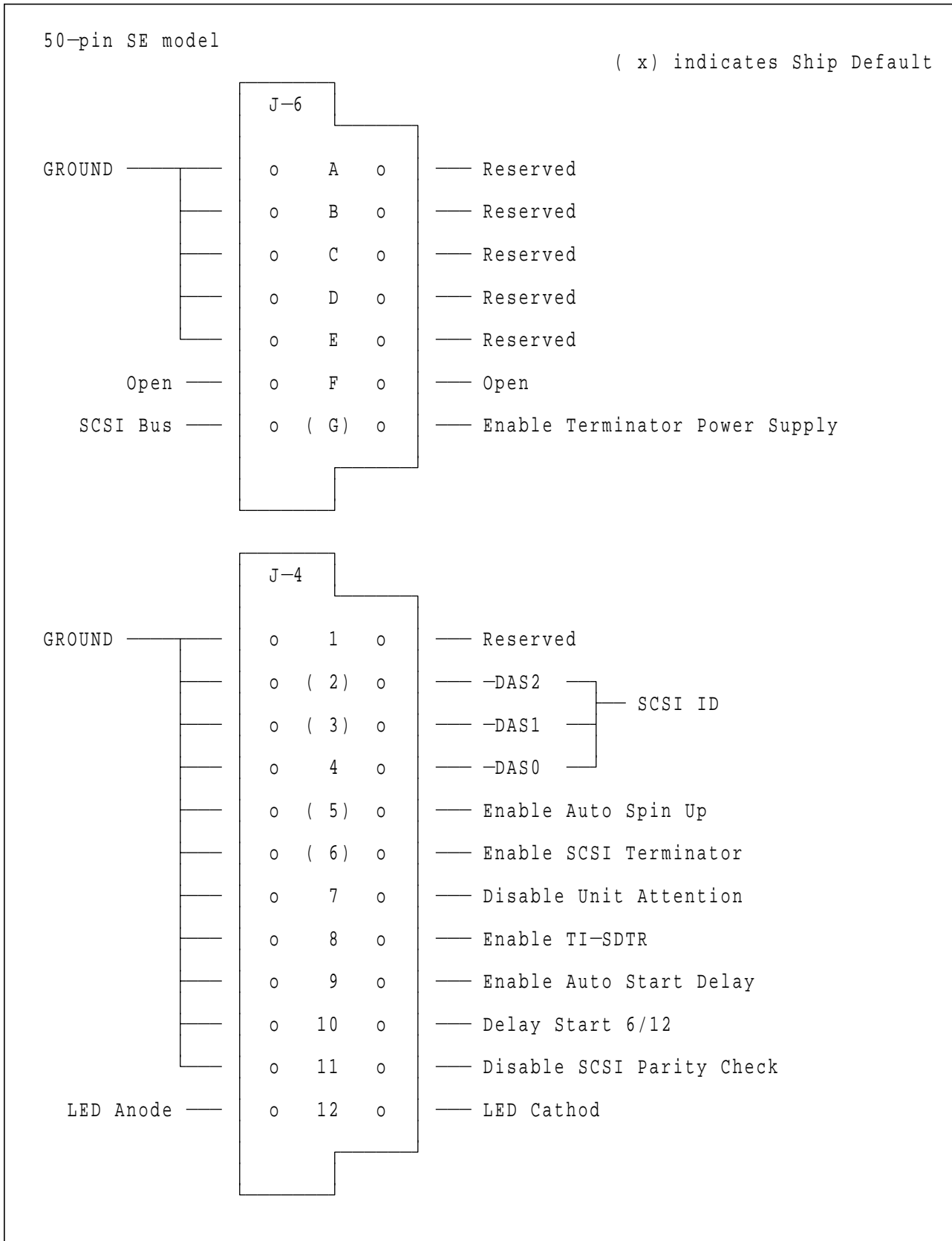


Figure 21. Jumper Pin of 50-pin SE model



## 6.2.2 Jumper Pin of 68-pin SE model

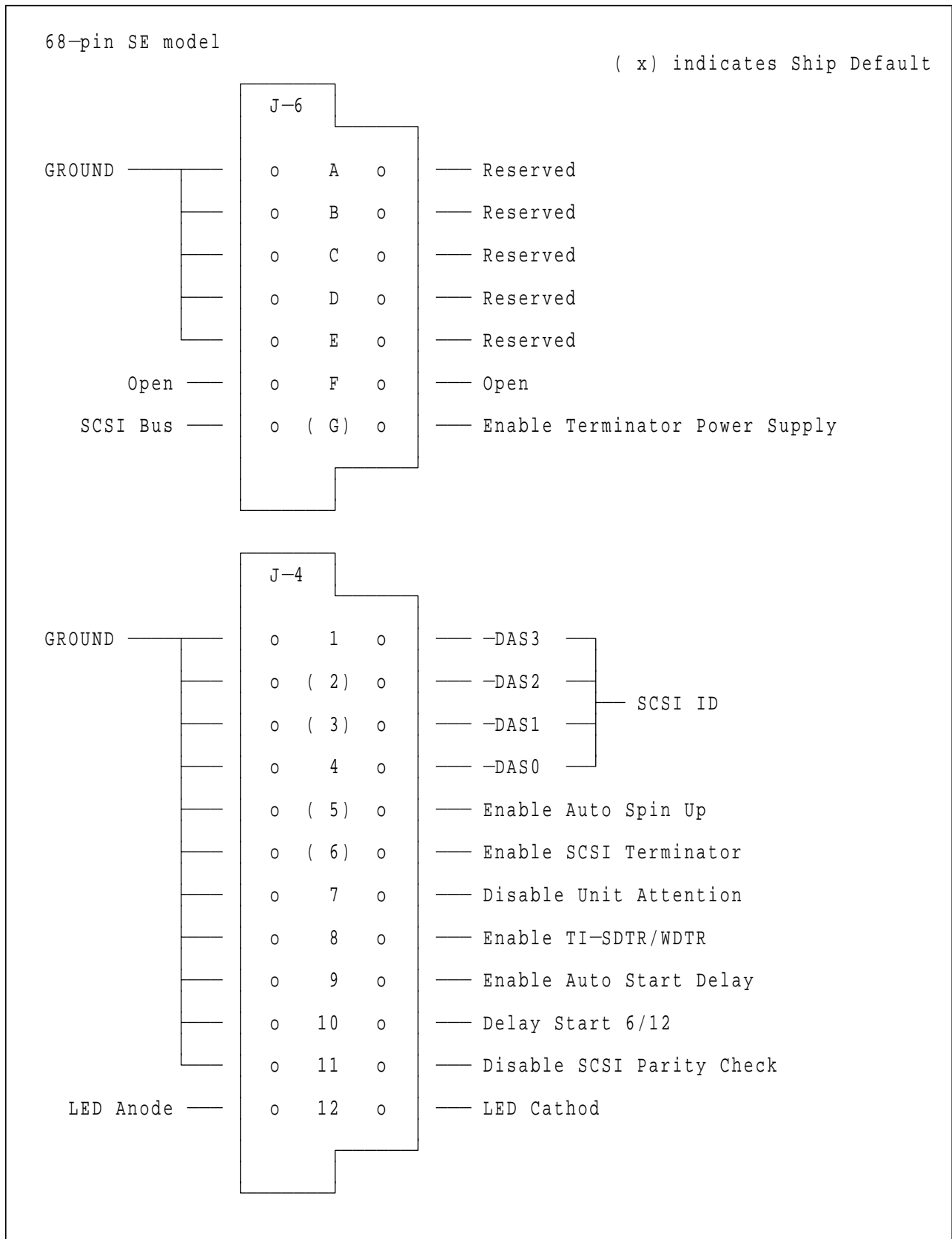


Figure 22. Jumper Pin of 68-pin SE model

### 6.2.3 Jumper Pin of 68-pin LVD/SE Multi-mode model

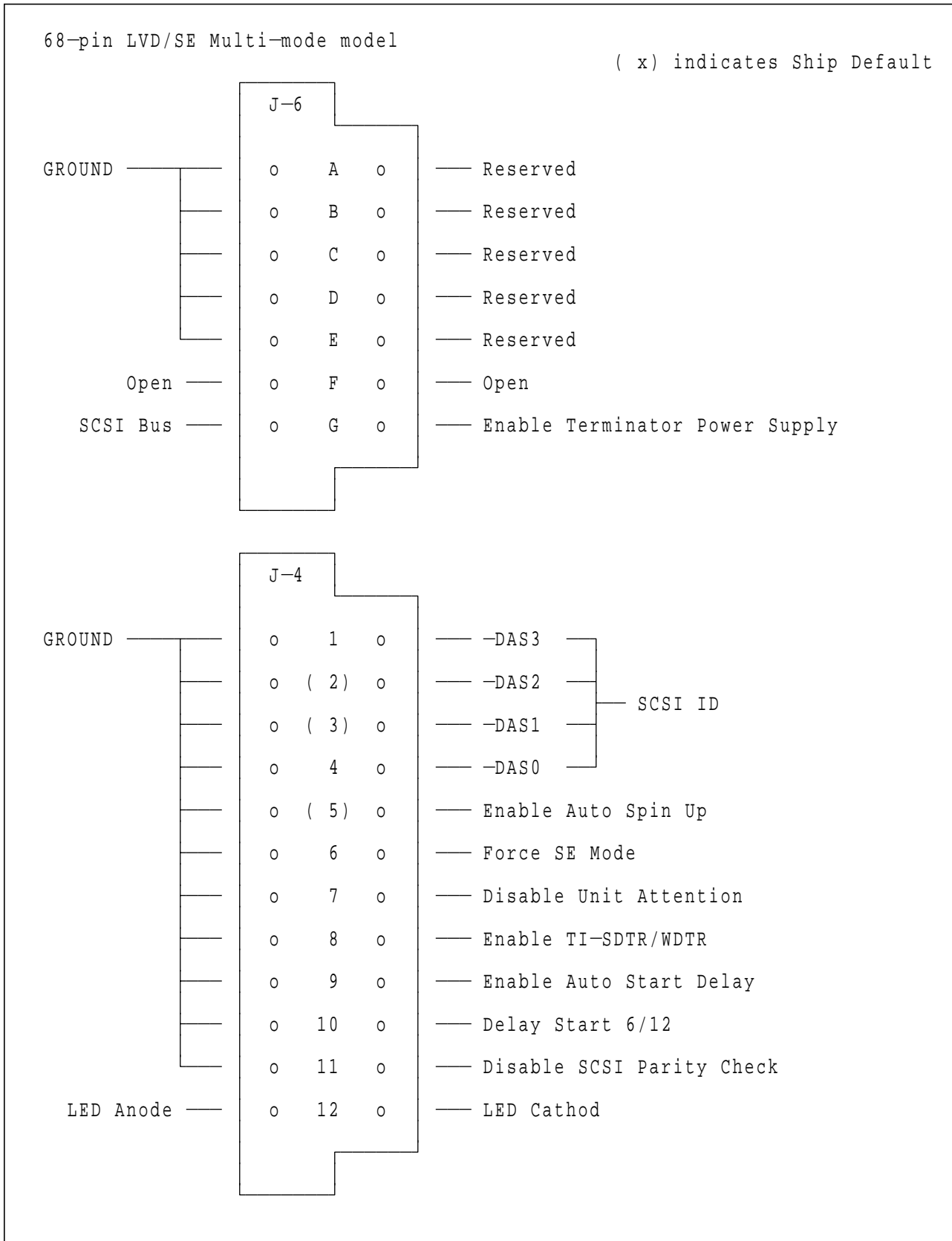


Figure 23. Jumper Pin of 68-pin LVD/SE Multi-mode model

## 6.2.4 Jumper Pin of 80-pin LVD/SE Multi-mode model

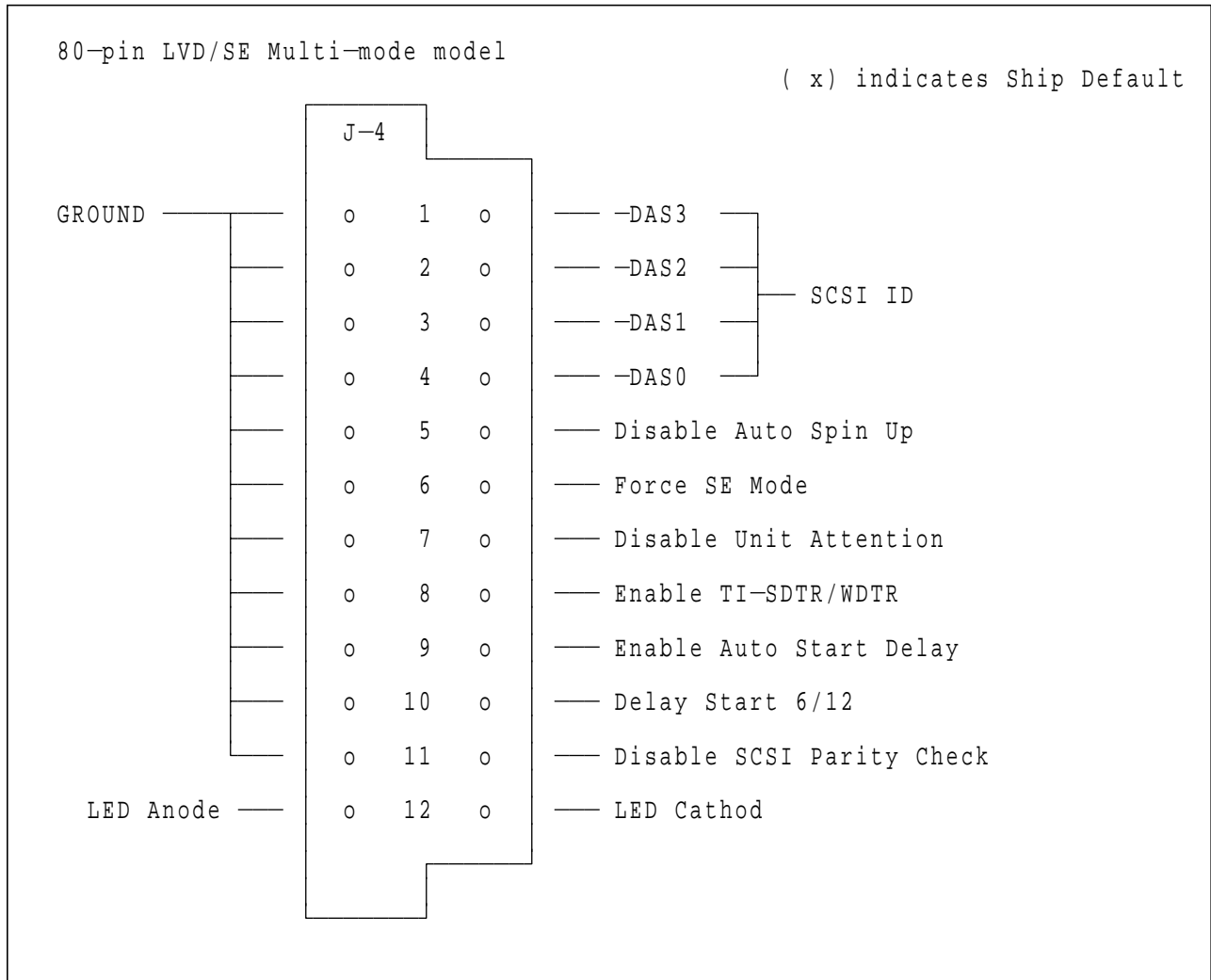


Figure 24. Jumper Pin of 80-pin LVD/SE Multi-mode model

## 6.2.5 Jumper Signal Description on J-6

### 6.2.5.1 Position #A - #E on J-6

Reserved.

Jumper setting is not allowed.

### 6.2.5.2 Position #F on J-6

Open.

The pins are open.

### 6.2.5.3 Position #G on J-6

Enable Terminator Power Supply.

## 6.2.6 Jumper Signal Description on J-4

### 6.2.6.1 Position #1 - #4 on J-4

These four lines (-DAS0, -DAS1, -DAS2, -DAS3) define DNES-3xxxxx device ID on the SCSI BUS. -DAS0 is the least significant bit and -DAS3 is the most significant bit. Device ID is defined as follows. In case of 50-pin model, Position #1 is Reserved, and -DAS3 is not used.

Throughout this paragraph 'on' means a shunt jumper is installed and 'off' means that no shunt jumper is installed.

Position # →	-DAS3 (1)	-DAS2 (2)	-DAS1 (3)	-DAS0 (4)	Device ID	
	off	off	off	off	0	<—Shipping
	off	off	off	on	1	default
	off	off	on	off	2	of
	off	off	on	on	3	80-pin
	off	on	off	off	4	
	off	on	off	on	5	
	off	on	on	off	6	<—Shipping
	off	on	on	on	7	default
	on	off	off	off	8	of
	on	off	off	on	9	50/68-pin
	on	off	on	off	10	
	on	off	on	on	11	
	on	on	off	off	12	
	on	on	off	on	13	
	on	on	on	off	14	
	on	on	on	on	15	

Note: 50-pin model does not use -DAS3, and only Device ID's 0 through 7 can be assigned.

Figure 25. SCSI Device ID

### 6.2.6.2 Position #5 on J-6

- 50/68-pin model
  - **Enable Auto Spin Up**  
If a shunt jumper is installed, the drive will spin up automatically after power on reset. If shunt jumper is not installed, the drive will not spin up unless a START UNIT command is received.
- 80-pin model
  - **Disable Auto Spin Up**  
If a shunt jumper is not installed, the drive will spin up automatically after power on reset. If shunt jumper is installed, the drive will not spin up unless a START UNIT command is received.

**Note:** The drive may not spin up while SCSI Bus is disconnected and internal terminator is disabled.

### 6.2.6.3 Position #6 on J-4

- SE model
  - **Enable SCSI Terminator**  
If a shunt jumper is installed, the internal SCSI active terminator on the drive works.
- LVD/SE Multi-mode model
  - **Force SE mode**  
If a shunt jumper is installed, the drive is forced to work as Single-End mode drive.

### 6.2.6.4 Position #7 on J-4

#### **Disable Unit Attention**

Installing a shunt jumper enables control of UAI (Unit Attention Inhibit) bit in Mode Page 0.

### 6.2.6.5 Position #8 on J-4

- 50-pin model
  - **Enable TI-SDTR**  
Installing a shunt jumper enables Target Initiated Synchronous Data Transfer Request Negotiation.
- 68/80-pin model
  - **Enable TI-SDTR/WDTR**  
Installing a shunt jumper enables the following.
    - Target Initiated Wide Data Transfer Request Negotiation
    - Target Initiated Synchronous Data Transfer Request Negotiation

### 6.2.6.6 Position #9 - #10

#### Auto Start Delay & Delay Start 6/12

These pins control when and how the drive spins up with the combination of Position #5 on J-4. When both Auto Spin up and Auto Start Delay is enabled, the drive start will be delayed by a period of time multiplied by its own SCSI address. If Auto Spin up is disabled, these jumpers will be ignored.

Throughout this paragraph 'on' means a shunt jumper is installed and 'off' means that no shunt jumper is installed.

Enable/Disable Auto Spin up	Auto Start Delay	Delay Start 6/12	
Position # → (5)	(9)	(10)	Option
off (50/68-pin) on (80-pin)	any	any	Drive will Not spin up Requires Start Unit command
on (50/68-pin) off (80-pin)	off	off	Spin up immediately after POR
on (50/68-pin) off (80-pin)	on	off	Spin up 6 seconds multiplied by SCSI address after POR
on (50/68-pin) off (80-pin)	on	on	Spin up 12 seconds multiplied by SCSI address after POR

Figure 26. Spin Up Control by Jumper

### 6.2.6.7 Position #11 on J-4

#### Disable SCSI Parity Check

Installing a shunt jumpe disables SCSI Parity checking.

### 6.2.6.8 Position #12

#### LED pins

The LED pins are used to drive an external Light Emitting Diode. Up to 30 mA of sink current capability is provided. The LED Anode must be tied to the current limited +5 V source provided on the pin for LED Anode at the Location #12 on J-4 jumper block. The LED Cathode is then connected to the pin for LED Cathod at the Location #12 on J-4 jumper block to complete the circuit.

Refer to 6.3, “LED Circuit” on page 39 for more details.

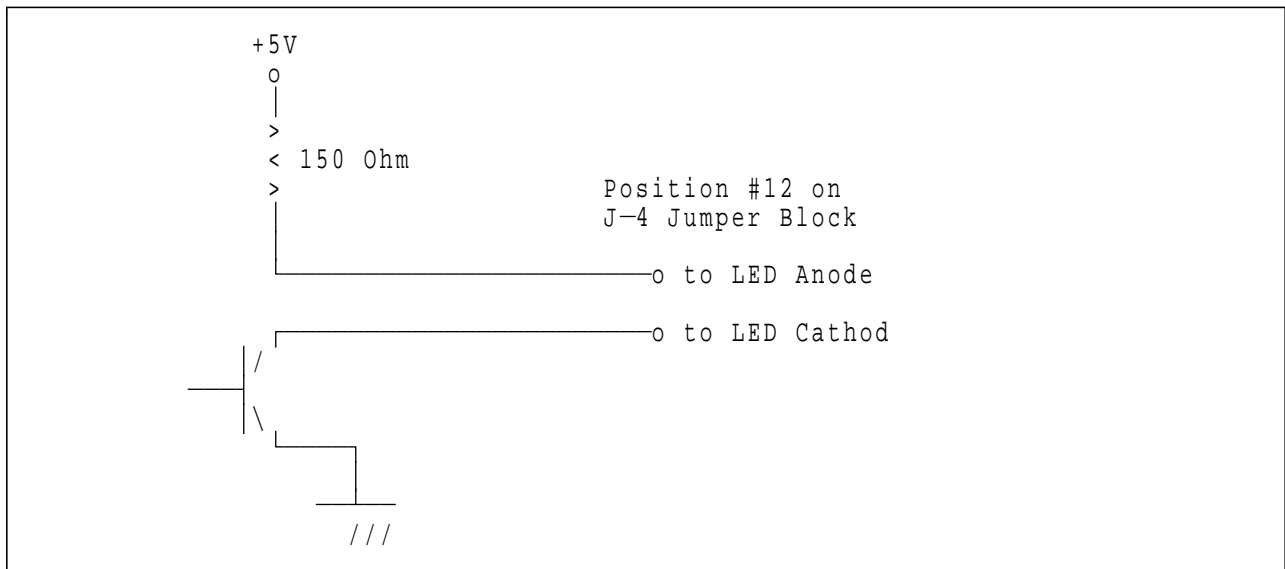


Figure 27. LED Circuit

## 6.2.7 Shipping Default

Default jumper setting depends on model.

- **50-pin SE model**  
Refer to 6.2.1, “Jumper Pin of 50-pin SE model” on page 30.
- **68-pin SE model**  
Refer to 6.2.2, “Jumper Pin of 68-pin SE model” on page 31.
- **68-pin LVD/SE Multi-mode model**  
Refer to 6.2.3, “Jumper Pin of 68-pin LVD/SE Multi-mode model” on page 32.
- **80-pin LVD/SE Multi-mode model**  
No jumper is set as shipping default.  
Refer to 6.2.4, “Jumper Pin of 80-pin LVD/SE Multi-mode model” on page 33.



## 6.3 LED Circuit

Position #12 on Jumper Block J-4 is used to drive an external LED.  
Instead of the the jumper pins, the following pins can be used to drive LED.

- 68-Pin model : Auxiliary Connector Pin #8 and #11.  
Refer to 6.1.7, “Auxiliary Connector on 68-pin Model” on page 27 and 6.3.2, “68-Pin Model” on page 40.
- 80-Pin model : SCA-2 Connector Pin #77 as shown in 6.8.3.3, “80-pin Model” on page 53 and 6.3.3, “80-Pin Model” on page 41.

The schematics of LED circuit on each model are as follows.

### 6.3.1 50-Pin Model

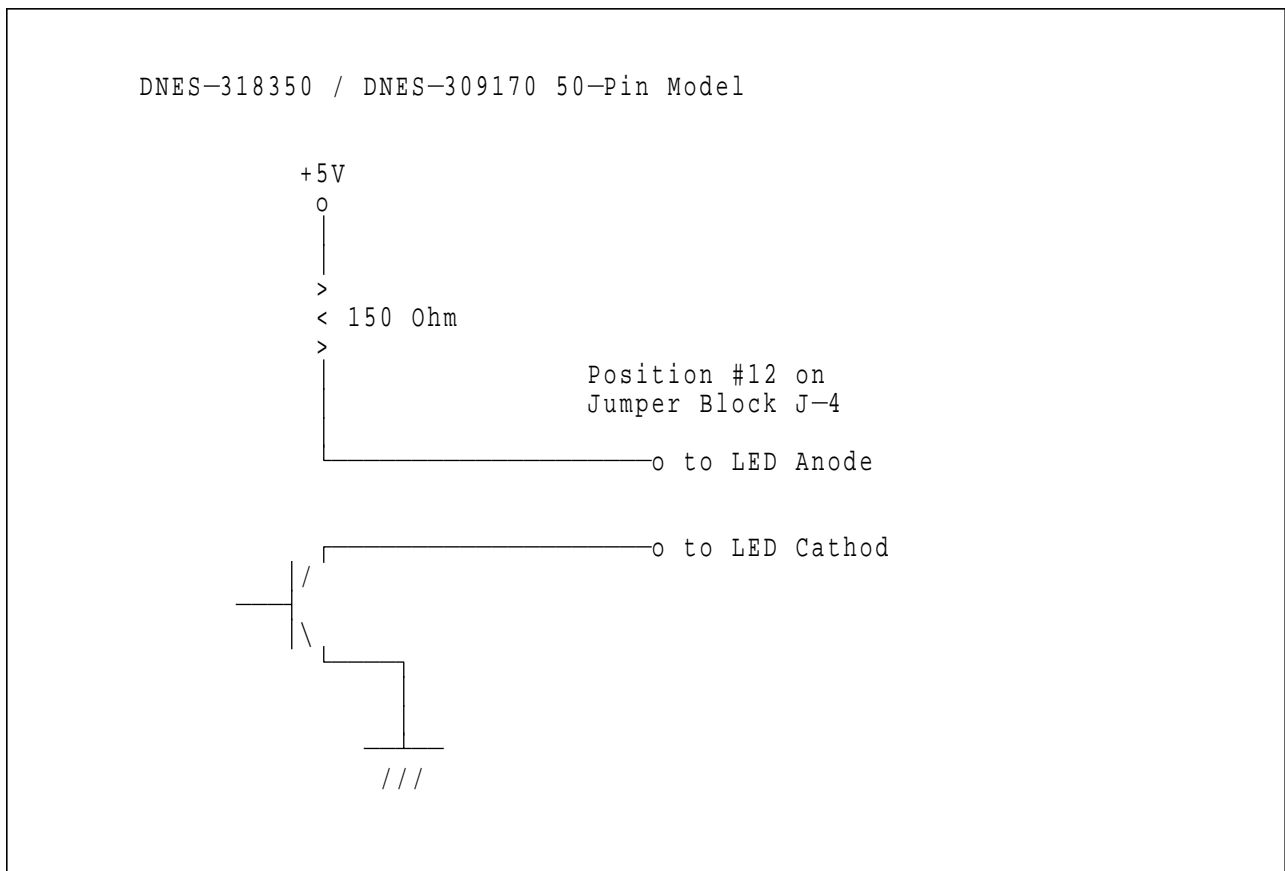


Figure 28. LED Circuit of 50-Pin Model





## 6.4 Environment

Figure 31. Environmental Condition	
<b>Operating Conditions</b>	
Temperature	5 to 55 °C (See note)
Relative Humidity	8 to 90 % RH
Maximum Wet Bulb Temperature	29.4 °C
Maximum Temperature Gradient	15 °C / Hour
Altitude	- 300 to 3048 m
<b>Non-Operating Conditions</b>	
Temperature	- 40 to 65 °C
Relative Humidity	5 to 95 % RH
Maximum Wet Bulb Temperature	35 °C
Maximum Temperature Gradient	15 °C / Hour
Altitude	- 300 to 12,000 m
<b>Note:</b>	
The system has to provide sufficient ventilation to maintain a surface temperature below 60[°C] at the center of drive top cover.	
Non-condensing should be kept at any time.	
Maximum storage period with shipping package is one year.	

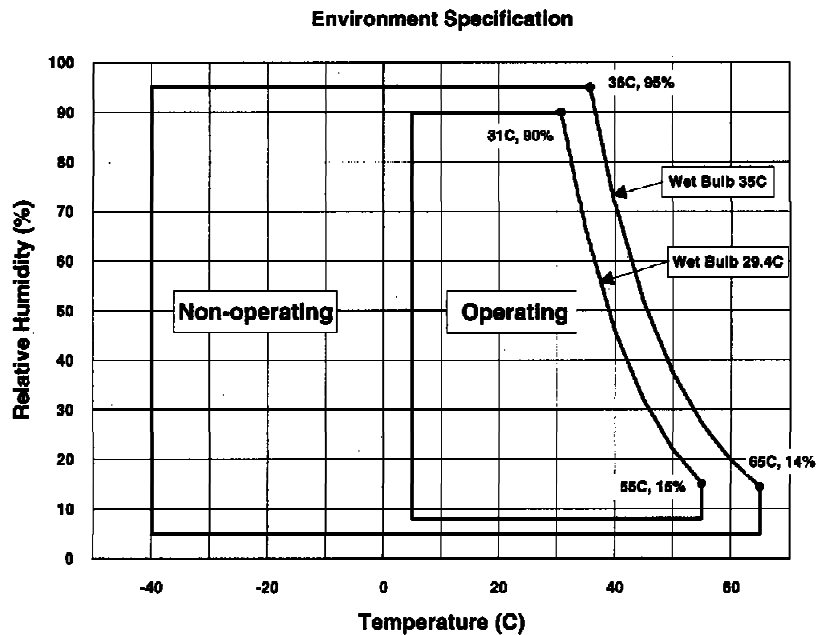


Figure 32. Limits of Temperature and Humidity

## 6.5 Cooling Requirements

The system has to provide sufficient ventilation to maintain a surface temperature below 60°C at the center of the top cover of the drive.

The system has to provide sufficient ventilation to keep the limits of component temperature as shown below.

Figure 33. Maximum Allowable Module Surface Temperature

Module Name	Location	Maximum Allowable Surface Temperature
MPU + HDC	1	90°C
DRAM	2	90°C
SCSI Terminator	3	90°C
VCM + Spindle Driver	4	95°C
Cannel	5	95°C

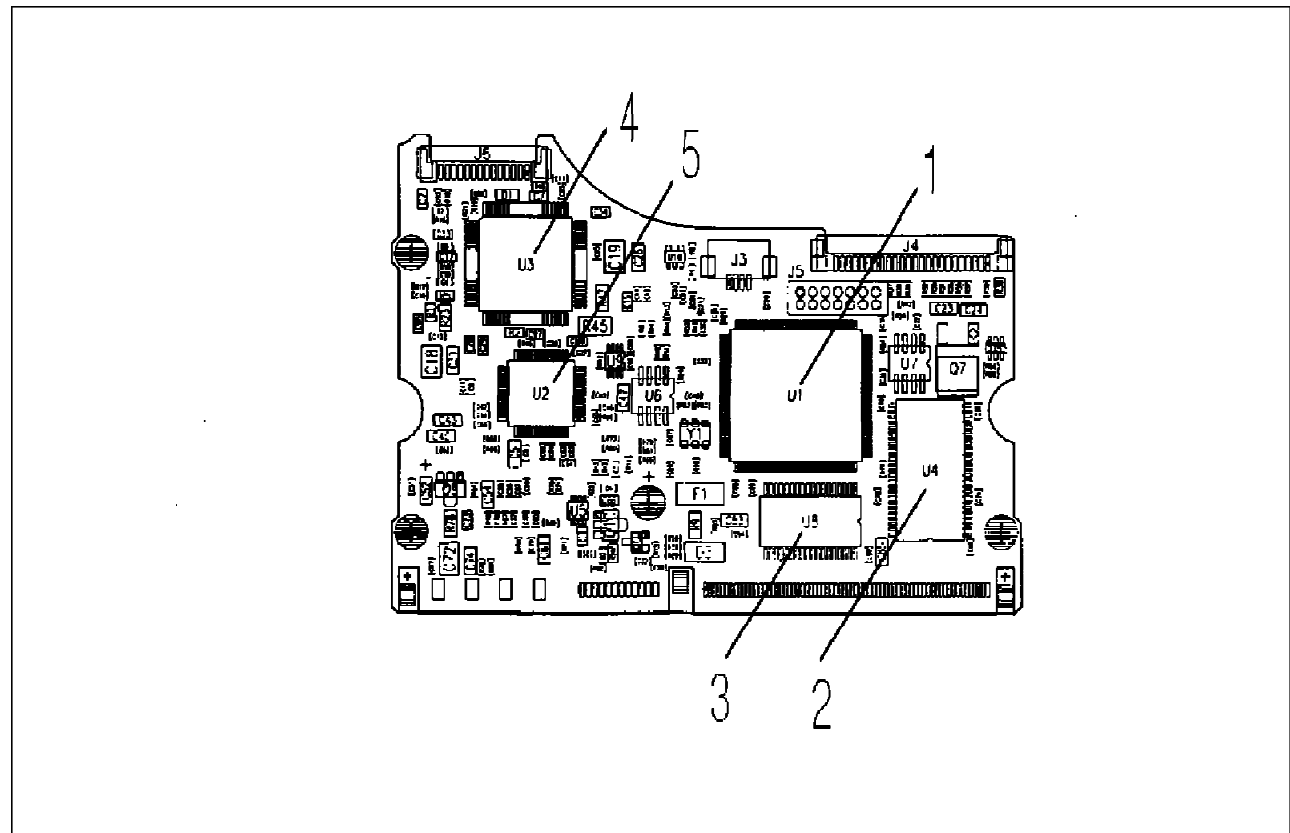


Figure 34. Module Location

## 6.6 DC Power Requirements

Connection to the product should be made in isolated secondary circuits (SELV). The following voltage specification is applied at the power connector of the drive.

No special power on/off sequencing is required.

Figure 35. Input Voltage			
	During run and spin up	Absolute max spike voltage	Supply rise time
+ 5 Volts Supply	5V +/- 5%	7V	0 - 200 ms
+12 Volts Supply	12V +/- 5% (*1)	15V	0 - 400 ms

Figure 36. Power Supply Current of DNES-318350 with SCSI Terminator Enabled					
(All values in Amps.)	+5Volts		+12Volts		Total (W)
	Pop Mean	Std.Dev	Pop Mean	Std.Dev	
Idle Average	0.37	0.02	0.42	0.03	6.9
Idle ripple (peak-to-peak)	0.24	0.02	0.55	0.10	
Seek average (*2)	0.48	0.02	0.93	0.03	13.6
Start up (max)	0.75	0.03	2.00	0.13	
Random R/W peak (*3)	0.81	0.10	1.85	0.10	
Random R/W average (*3)	0.54	0.02	0.63	0.03	10.3

Figure 37. Power Supply Current of DNES-309170 with SCSI Terminator Enabled					
(All values in Amps.)	+5Volts		+12Volts		Total (W)
	Pop Mean	Std.Dev	Pop Mean	Std.Dev	
Idle Average	0.36	0.02	0.29	0.03	5.3
Idle ripple (peak-to-peak)	0.24	0.02	0.55	0.10	
Seek average (*2)	0.47	0.02	0.87	0.03	12.8
Start up (max)	0.75	0.03	2.00	0.13	
Random R/W peak (*3)	0.73	0.10	1.85	0.10	
Random R/W average (*3)	0.53	0.02	0.56	0.03	9.4

### Notes:

1. 12V +/- 7% is acceptable during spin up, but the spin up time is not guaranteed.
2. Random Seeks at 100% duty cycle.
3. Seek Duty = 40%, W/R Duty = 60%, Idle Duty = 0%.

Figure 38. Power Supply Generated Ripple at Drive Power Connector		
	<b>Maximum</b>	<b>Notes</b>
+5 V DC	250 [mV pp]	0-10 [MHz]
+12 V DC	250 [mV pp]	0-10 [MHz]

During drive start up and seeking, 12 volt ripple is generated by the drive (referred to as dynamic loading). If several files have their power daisy chained together then the power supply ripple plus other drive's dynamic loading must remain within the regulation tolerance of  $\pm 0.5\%$ . A common supply with separate power leads to each drive is a more desirable method of power distribution.

To prevent external electrical noise from interfering with the drive's performance, the drive must be held by four screws in a user system frame which has no electrical level difference at the four screws position, and has less than  $\pm 300$  millivolts peak to peak level difference to the drive power connector ground.

### 6.6.1 Start Up Current

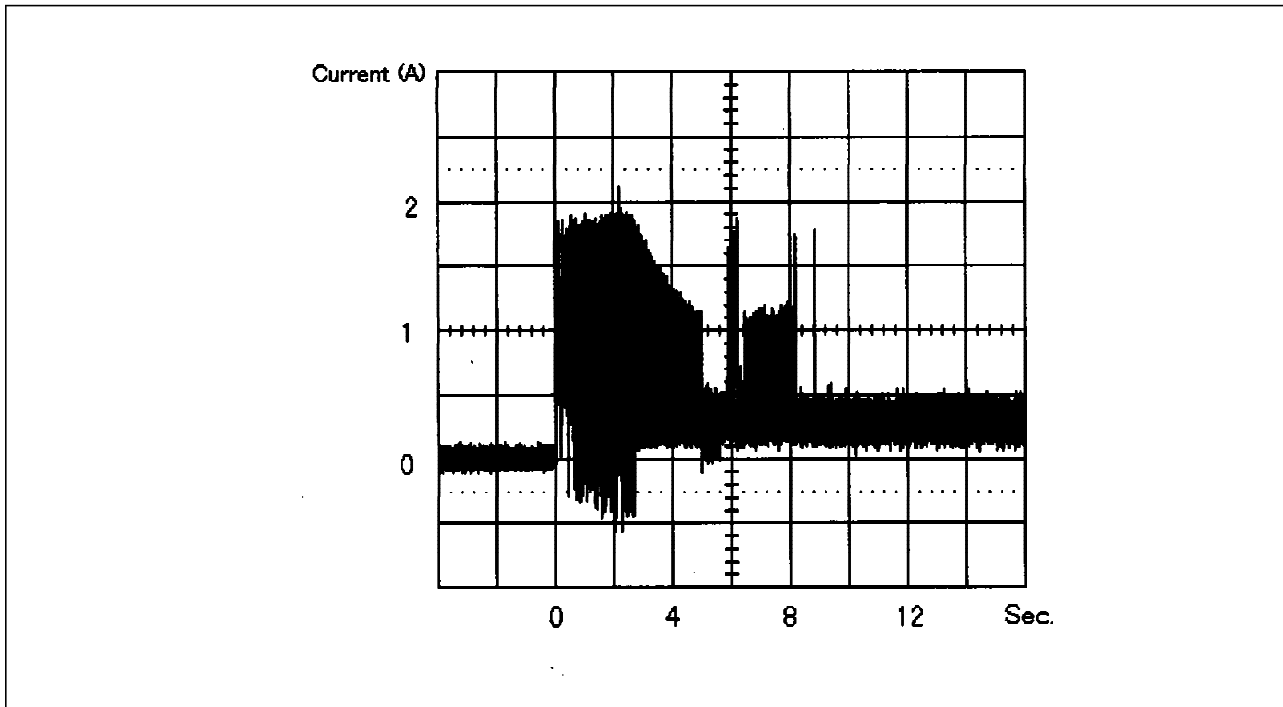


Figure 39. Typical Current Wave Form of 12V at Start Up of DNES-309170

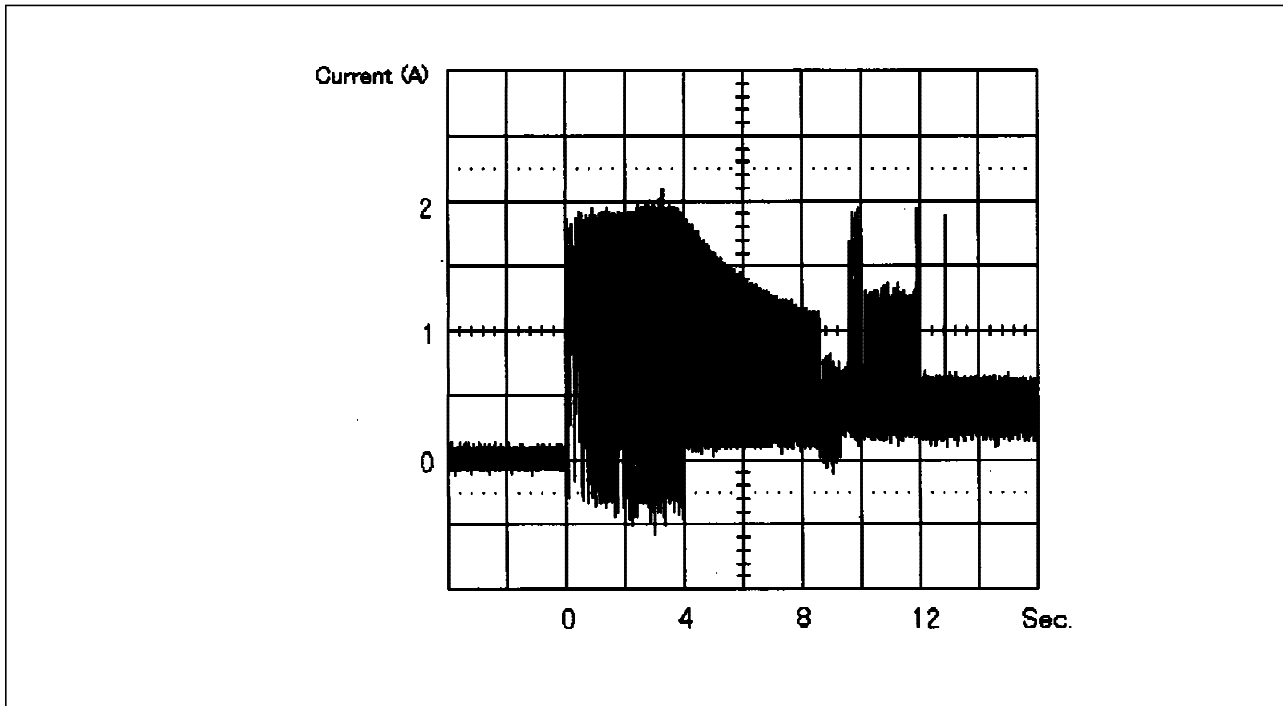


Figure 40. Typical Current Wave Form of 12V at Start Up of DNES-318350



---

## 6.7 Reliability

### 6.7.1 Contact Start Stop (CSS)

The drive is designed to withstand a minimum of 40,000 contact start/stop cycles at 40°C with 13-25% relative humidity.

The drive is designed to withstand a minimum of 10,000 contact start/stop cycles at operating environment conditions specified in 6.4, “Environment” on page 42.

### 6.7.2 Data Reliability

- Probability of not recovering data ..... 1 in  $10^{13}$  bits read
- ECC On-The-Fly correction, performed as a part of read channel function, recovers up to 12 symbols of error in 1 sector. (1 symbol is 8 bits.)

### 6.7.3 Seek/ID Mis-compare Errors

A non-recoverable seek/ID mis-compare error is defined as a seek operation that cannot be corrected by fixed disk error recovery procedure. Seek errors occurring for field format operations are considered to be non-recoverable.

No drive has more than one non-recoverable seek/ID mis-compare error per 5 million seek operations (1 in  $5 \times 10^6$ ) when operated at the full range of voltage and environmental conditions.

Non-recoverable seek/ID mis-compare errors indicate a defective drive.

### 6.7.4 Equipment Errors

A recoverable equipment error is any error other than a seek/ID mis-compare error or read error that is detected and corrected by the drive error recovery procedure. Examples are Write Fault, Drive Not Ready and internal drive errors.

No drive has more than one recoverable equipment error per  $10^8$  reads,  $10^6$  writes or  $10^6$  seeks operations when operated at the full range of voltage and environmental conditions.

Non-recoverable equipment errors indicate a defective drive.

### 6.7.5 Failure Prediction ( PFA / S.M.A.R.T.)

DNES-3xxxxx supports Informational Exceptions Control Page (1C) defined in SCSI-3. The function enables the drive to report sense codes of FAILURE PREDICTION THRESHOLD EXCEEDED to the host system.

The page 1C specifies enable/disable, reporting method, and report count.

In case the drive exceeded the failure prediction threshold, the drive returns Check Condition on any command. Then, per specified reporting method in Mode Page 1C, 0/5D/00, 1/5D/00 or 6/5D/00 as sense key/code/qualifire is sent to the host as a response of Request Sense command.

As the default, the function is enabled but no reporting of informational exception condition is made.

The details are described in 7.9.13, “Page 1C (Informational Exceptions Control)” on page 118.

## 6.7.6 Automatic Drive Maintenance (ADM)

ADM function can be enabled by EADM bit in Mode Page 0, and the **shipping default is disable**.

ADM function is equipped to enhance the reliability in continuous usage.

ADM function is to perform a CSS automatically after detection of idling time for 1 minute at intervals of 1 week.

The details are described in 10.19.1.1, “Automatic Drive Maintenance (ADM)” on page 212.

## 6.7.7 Preventive Maintenance

None.

## 6.7.8 Temperature Warning

Temperature Warning is enabled by setting EWASC (Enable Warning Additional Sense Code) bit to 1, and setting DEXCPT (Disable Exception Control) bit to 0 in Mode Page 1C.

For mode page setting, refer to 7.9.13, “Page 1C (Informational Exceptions Control)” on page 118.

The warning is informed as sense data (Sense Key 01h, Code 0Bh, Qual 01h).

The drive temperature can be detected by Log Sense Page 2F.

Refer to 7.8.7, “Log Sense Page 2F” on page 87.

## 6.8 Mechanical Specifications

### 6.8.1 Outline

#### 6.8.1.1 50-pin Model

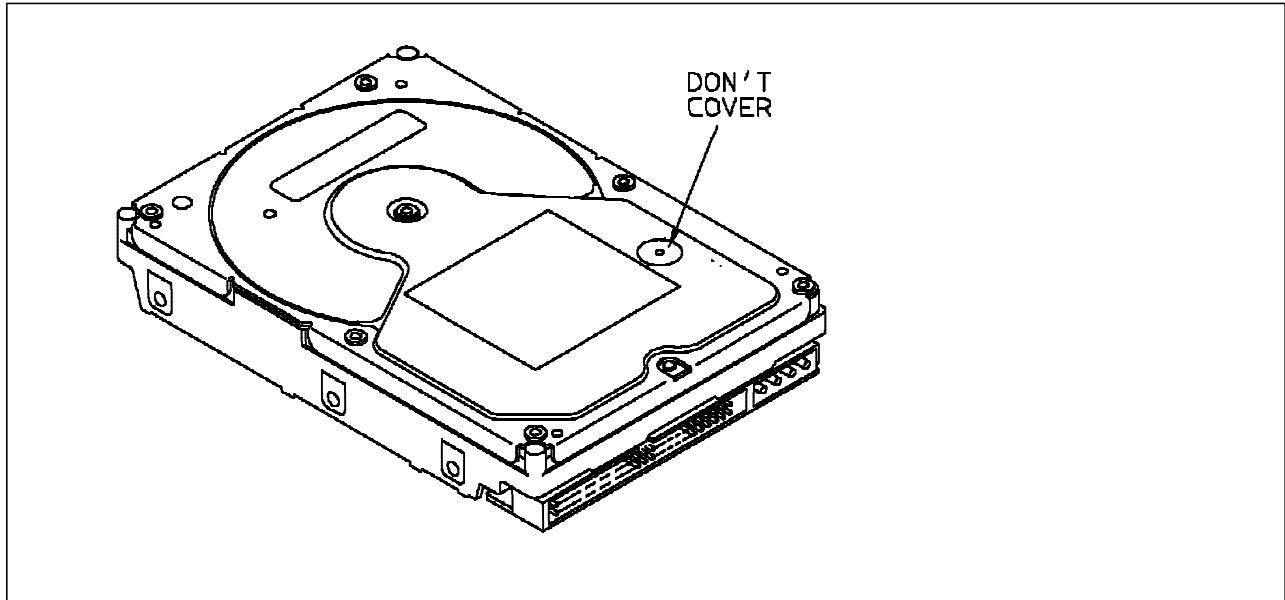


Figure 41. Outline of 50-pin Model

#### 6.8.1.2 68-pin Model

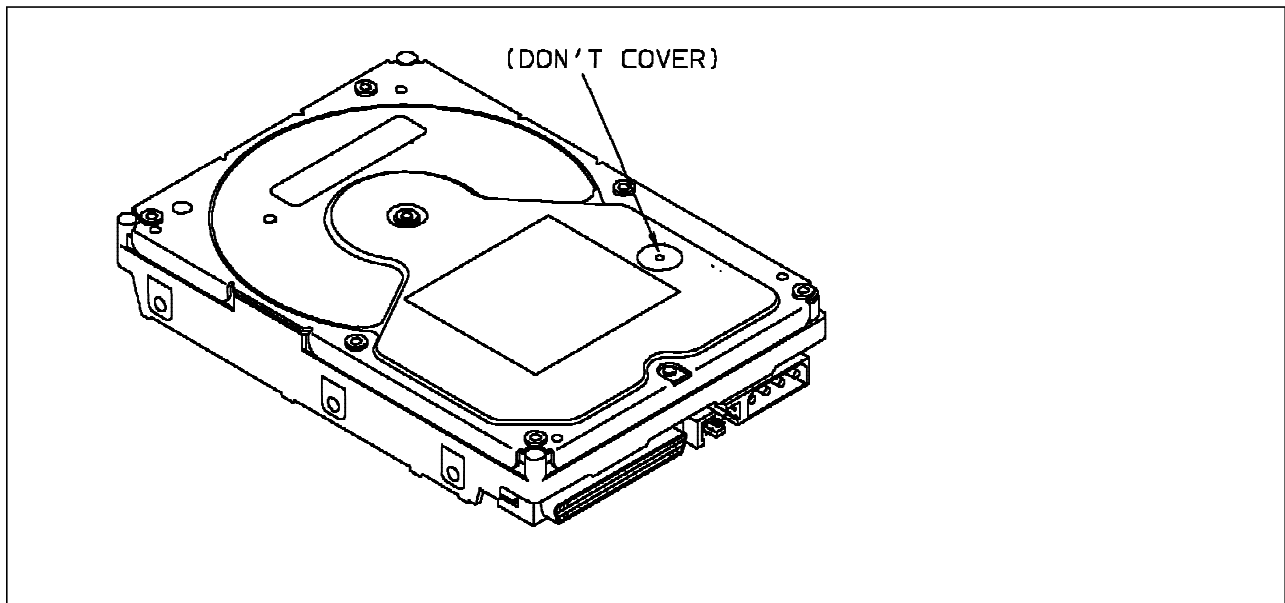


Figure 42. Outline of 68-pin Model

### 6.8.1.3 80-pin Model

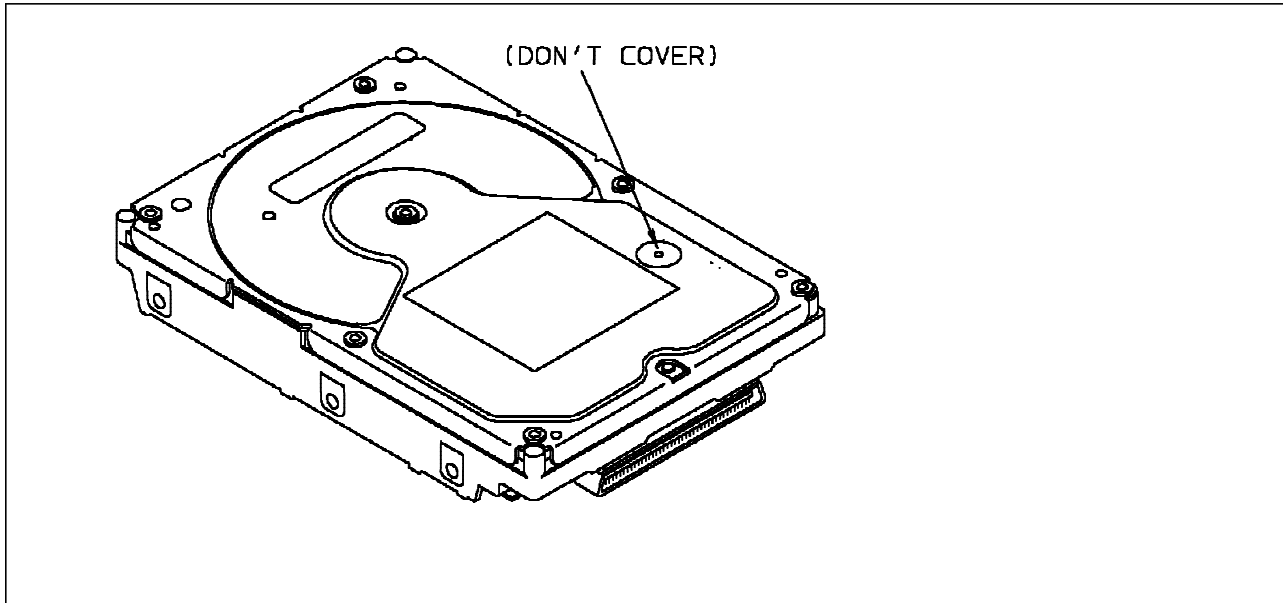


Figure 43. Outline of 80-pin Model

## 6.8.2 Mechanical Dimensions

DNES-3xxxxx comply with SFF-8301 with one deviation in tolerance of width,  $\pm 0.25\text{mm}$  vs  $\pm 0.4\text{mm}$ .

Figure 44. Physical Dimension	
Height [mm]	$25.4 \pm 0.4$
Width [mm]	$101.6 \pm 0.4$
Length [mm]	$146.0 \pm 0.6$
Weight [gram]	630 Max.

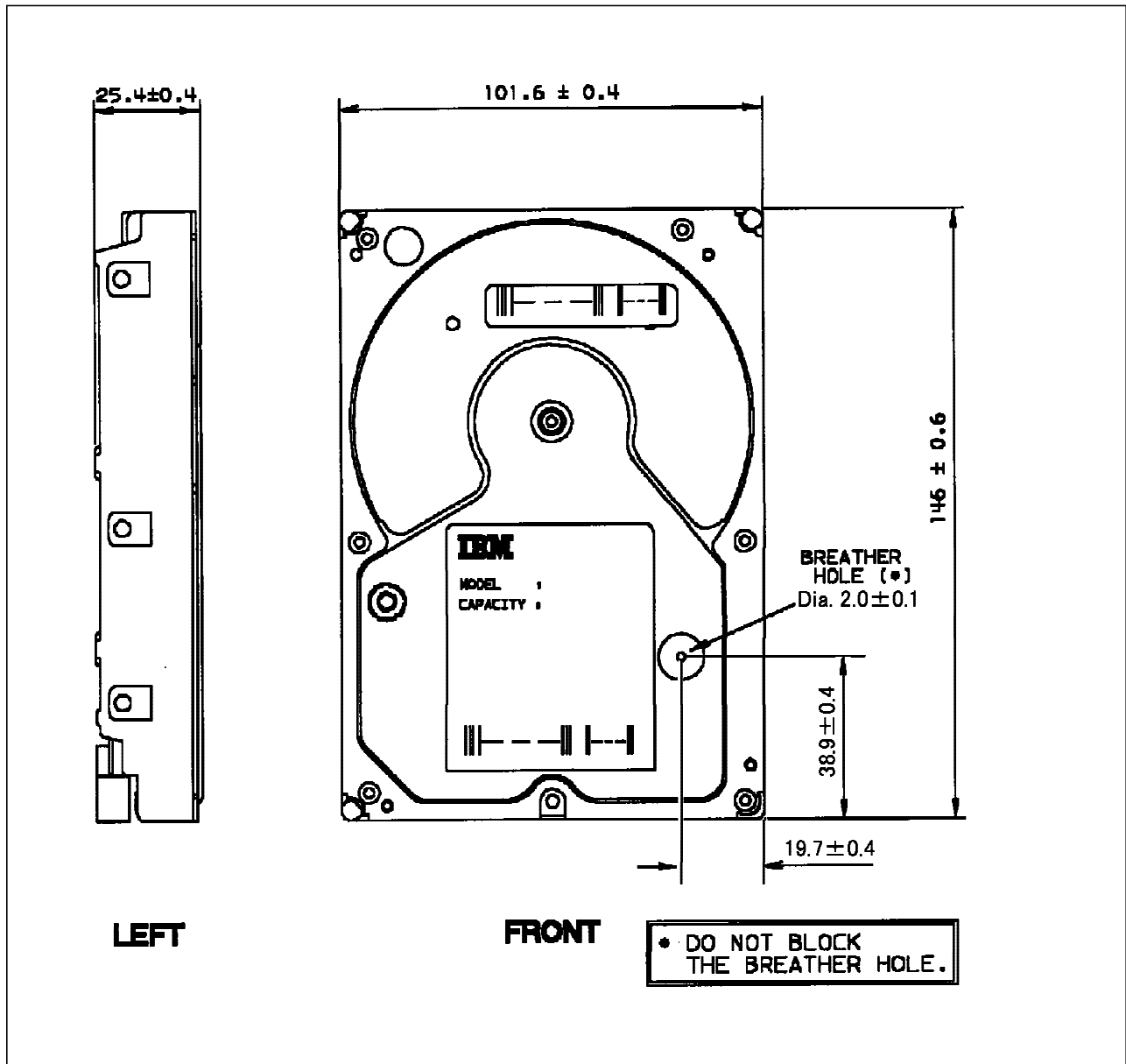


Figure 45. Mechanical Dimension

## 6.8.3 Interface Connector

### 6.8.3.1 50-pin Model

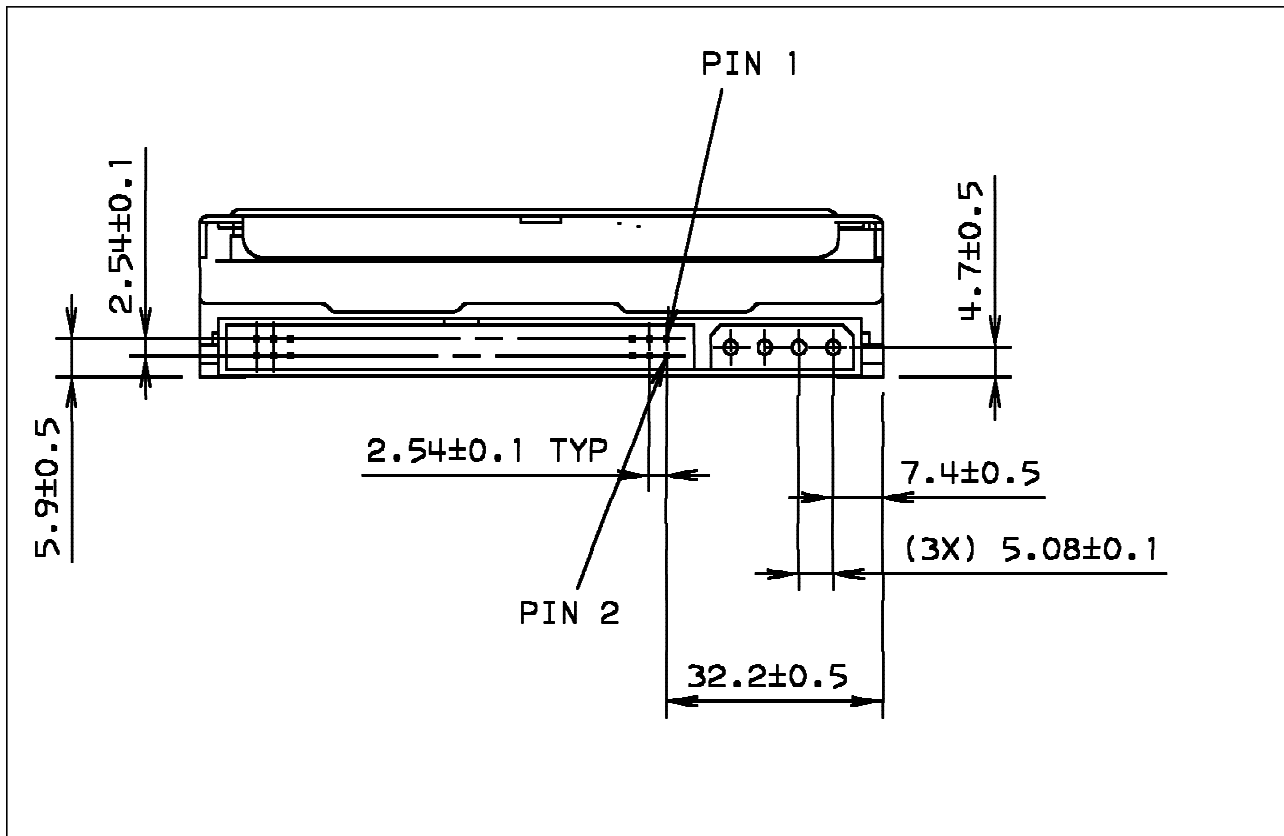


Figure 46. Interface Connector (50-pin Model)

### 6.8.3.2 68-pin Model

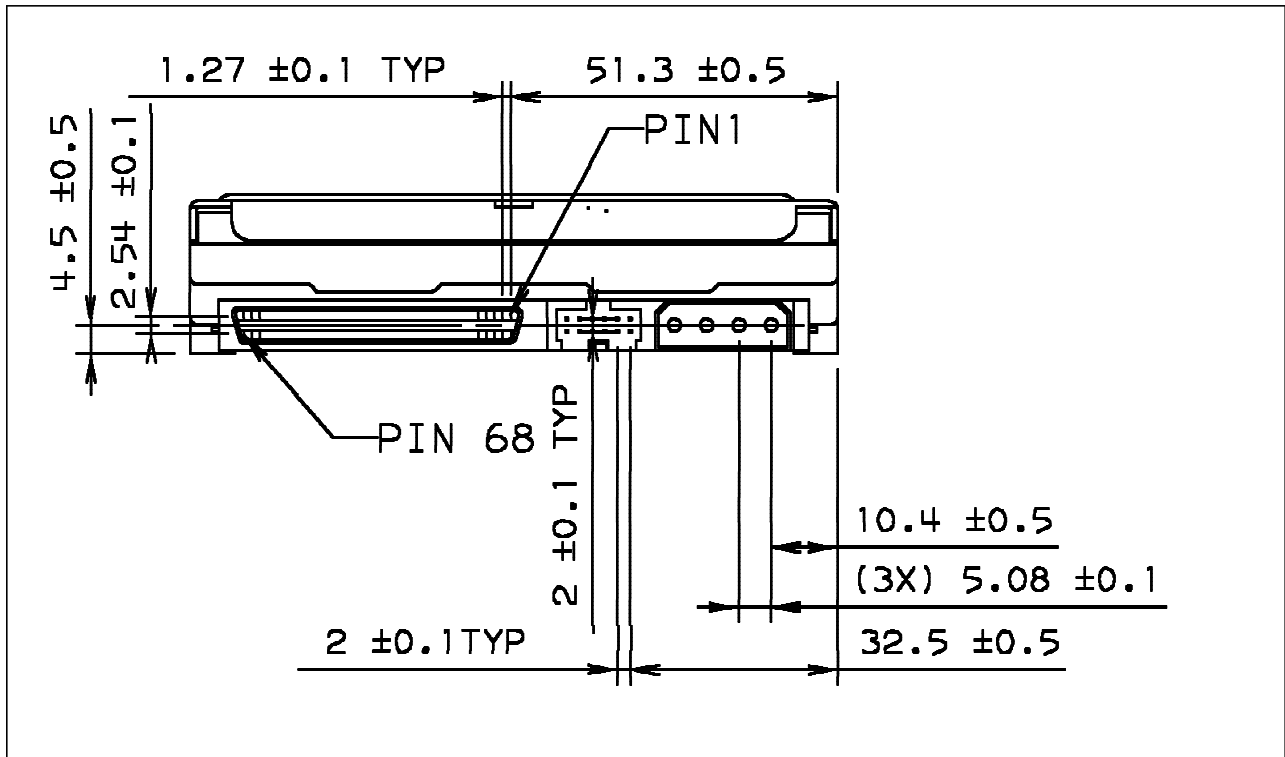


Figure 47. Interface Connector (68-pin Model)

### 6.8.3.3 80-pin Model

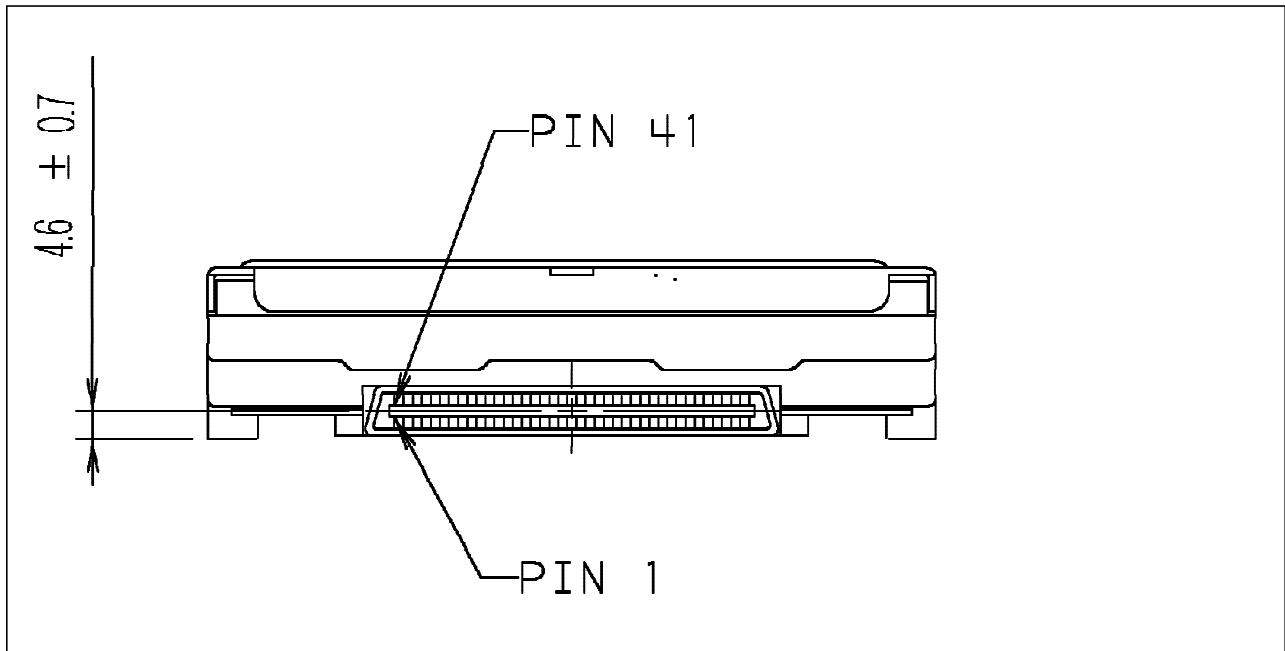


Figure 48. Interface Connector (80-pin Model)

### 6.8.4 Mounting Positions and Tappings

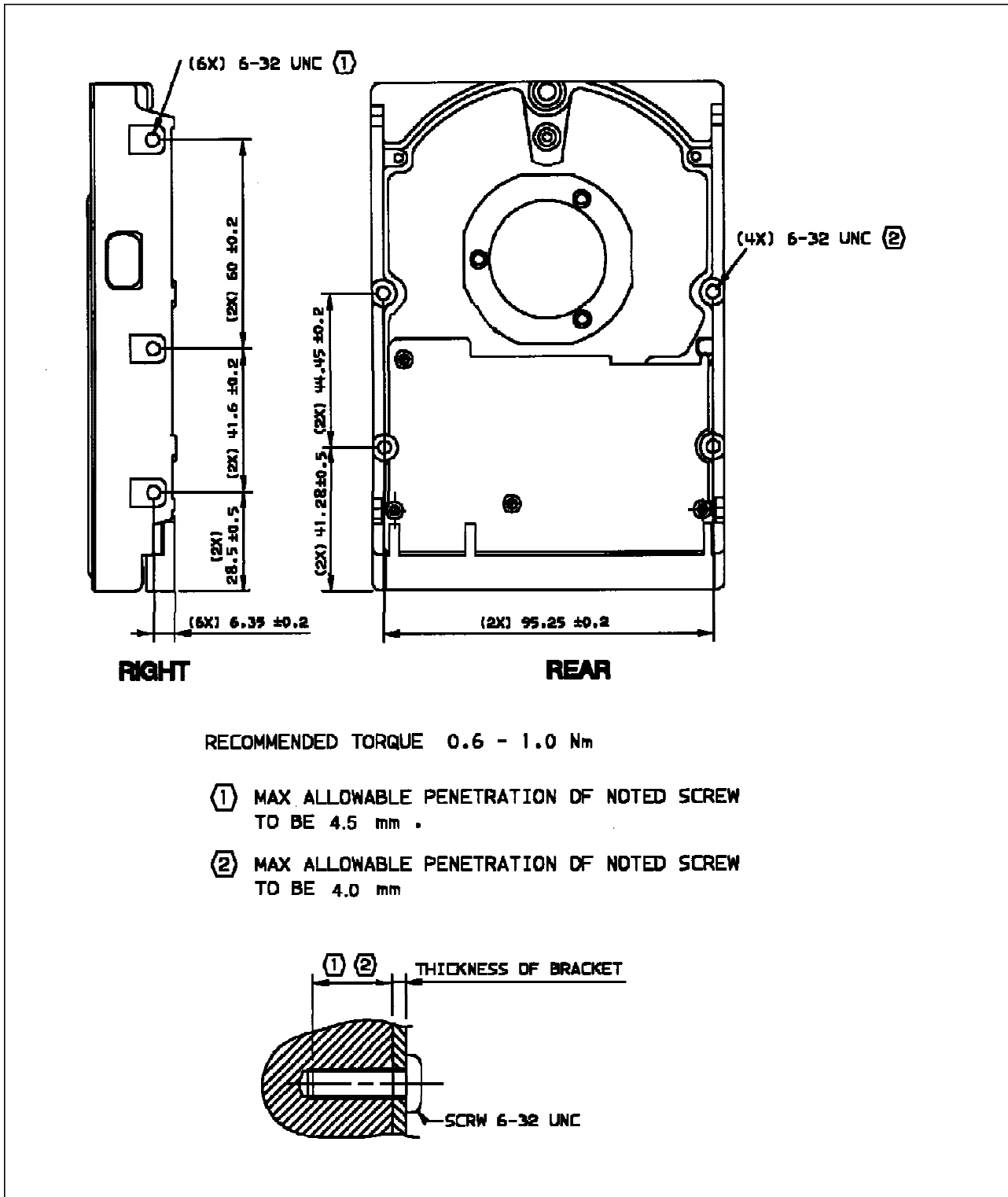


Figure 49. Mounting Positions and Tappings



### 6.8.4.1 Drive Mounting

The drive will operate in all axes (6 directions). Performance and error rate will stay within specification limits if the drive is operated in the other orientations from which it was formatted.

The recommended mounting screw torque is 0.6 - 1.0 [Nm] (6 - 10 [Kgf.cm]). The recommended mounting screw depth is 4 [mm] Max for bottom and 4.5 [mm] Max for horizontal mounting.

To avoid performance degradation, it is required to mount the drive in the system **securely enough** to prevent excessive motion or vibration of the drive at seek operation or spindle rotation, using **appropriate screws** or equivalent mounting hardware. Consult with the issuer of this specification for actual application if necessary.

Drive level vibration test and shock test are to be conducted with the drive mounted to the table using the bottom four screws.

### 6.8.5 Shipping Zone and Lock

A dedicated "shipping" (or "landing") zone on the disk, not on the data area of the disk, is provided to keep the disk data protected during shipping, movement, or storage. Upon power down, a heads are automatically parked and a head locking mechanism will secure the heads in this zone.

### 6.8.6 Breather Hole

The breather hole must be kept clear and unobstructed at all times.

**Do not seal up** the breather hole.

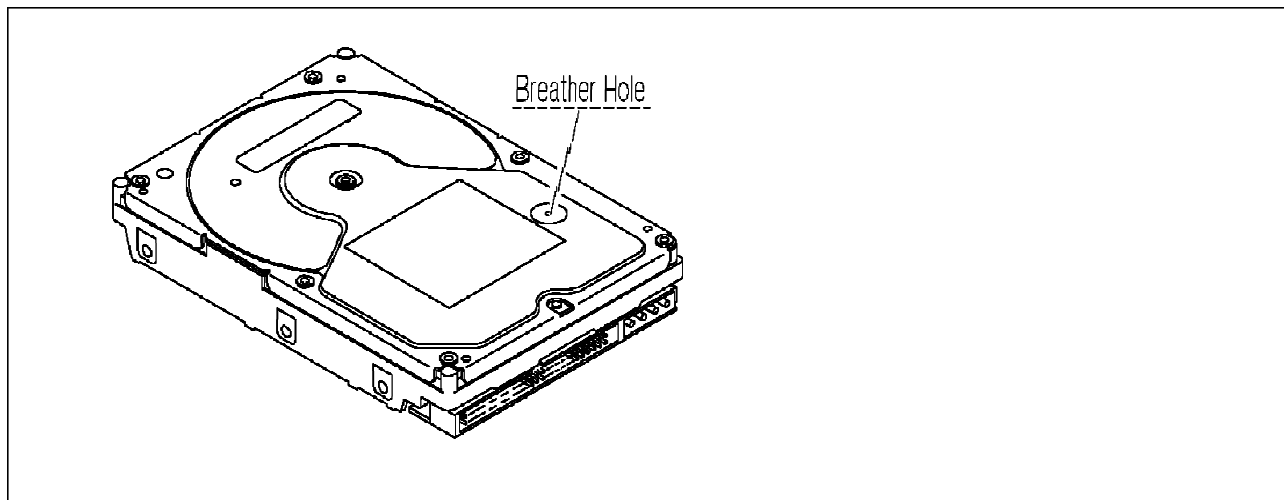


Figure 50. Breather Hole Location



## 6.9.2 Non-Operating Vibrations

The drive does not sustain permanent damage or loss of recorded data after being subjected to the environment described below.

### 6.9.2.1 Random Vibration

The test consists of a random vibration applied for each of three mutually perpendicular axes with the time duration of 10 minutes per axis. The PSD levels for the test simulates the shipping and relocation environment which is shown below.

Figure 52. Random Vibration PSD Profile Breakpoints (Non-Operating)							
	Random Vibration PSD Profile Breakpoints (Non-Operating)						
Hz	2	4	8	40	55	70	200
[G <sup>2</sup> /Hz]	0.001	0.03	0.03	0.003	0.01	0.01	0.001

Overall RMS (Root Mean Square) level of vibration is 1.04G (RMS).

### 6.9.2.2 Swept Sine Vibration

- 2 G (Zero to peak), 5 to 500 to 5 Hz sine wave
- 0.5 oct/min sweep rate
- 3 minutes dwell at two major resonances

## 6.9.3 Operating Shock

The drive meets the following criteria.

- No data loss with 10G 11msec half-sine shock pulse
- No data loss with 65G 2msec half-sine shock pulse

The shock pulses of each level are applied to the drive, ten pulses for each direction and for all three axes. There must be a minimum of 30 seconds delay between shock pulses. The input level is applied to a base plate where the drive is attached with four screws.

## 6.9.4 Non-Operating Shock

The drive withstands the following half-sine shock pulse

- No data loss with 75G 11ms
- No data loss with 175G 2ms

The shocks are applied for each direction of the drive for three mutually perpendicular axes and one axis at a time. Input levels are measured on a base plate where the drive is attached with four screws.

The drive withstands the following **Rotational Shock**.

- No data loss with Rotational Shock 25000rad/s<sup>2</sup> 1ms applied around the axis of actuator pivot.

**Note:** Actuator is automatically locked at power-off to keep the heads on a landing zone.

---

## 6.10 Acoustics

The following shows the acoustic levels.

### 6.10.1 Sound Power Levels

The upper limit criteria of the A-weighted sound power levels are given in Bel relative to one pico watt and are shown in the following table. The measurement method is in accordance with ISO7779.

Figure 53. A-weighted Sound Power Levels		
Mode	A-weighted Sound Power Level [Bel]	
Idle	3.8 (Typical)	4.2 (Max)
Operating	4.5 (Typical)	4.8 (Max)

Background power levels of the acoustic test chamber for each octave band are to be recorded. Sound power levels are measured with the drive supported by spacers so that the lower surface of the drive is located  $25 \pm 3$ mm height from the chamber desk. No sound absorbing material shall be used. The acoustical characteristics of the drive subsystem are measured under the following conditions.

Idle mode:

Powered on, disks spinning, track following, unit ready to receive and respond to control line commands.

Operating mode:

Continuous random cylinder selection and seek operation of actuator with a delay for a time period achieving the required seek rate  $N_s$  according to the following formula:

$$N_s = 0.4 / (T_t + T_l)$$

where:

$N_s$  = average seek rate in seeks/sec.

$T_t$  = published random seek time.

$T_l$  = time for the drive to rotate by half a revolution.

---

## 6.11 Identification Labels

The label on the drive contains the following information.

- Model name
- Part Number
- MLC (Machine Level Control) code
- Serial Number
- Manufacturing Location
- Certification Marks
- etc.

---

## 6.12 Electromagnetic Compatibility

The drive, when installed in a suitable enclosure and exercised with a random accessing routine at maximum data rate, meets the worldwide EMC requirements listed below.

IBM will provide technical support to meet the requirements to comply with the EMC specifications.

- United States Federal Communications Commission (FCC) Rules and Regulations (Class B), Part 15.
- European Economic Community (EEC) directive number 76/889 related to the control of radio frequency interference and the Verband Deutscher Elektrotechniker (VDE) requirements of Germany (GOP).

### 6.12.1 CE Mark

The product is declared to be in conformity with the requirements of following EC directives under the sole responsibility of IBM United Kingdom Ltd. or Yamato Lab, IBM Japan Ltd.

Council Directive 89/336/EEC on the approximation of laws of the Member States relating to electromagnetic compatibility.

### 6.12.2 C-Tick Mark

The product complies with the following Australian EMC standard.

- Limits and methods of measurement of radio disturbance characteristics of information technology equipment, AS/NZS 3548:1995 Class B.

---

## 6.13 Safety

The following shows the safety standards for different countries.

### 6.13.1 Underwriters Lab (UL) Approval

DNES-3xxxxx comply with UL 1950.

### 6.13.2 Canadian Standards Authority (CSA) Approval

DNES-3xxxxx comply with CSA C22.2 No.0-M91, and CSA C22.2 No.950-M1993.

### 6.13.3 IEC Compliance

DNES-3xxxxx comply with IEC 950.

### 6.13.4 German Safety Mark

DNES-3xxxxx is approved by TÜV on Test Requirements: EN 60 950.

### 6.13.5 Flammability

The printed circuit boards used in this product is made of material with the UL recognized flammability rating of V-1 or better. The flammability rating is marked or etched on the board. All other parts not considered electrical components are made of material with the UL recognized flammability rating of V-1 or better, except small mechanical parts.

### 6.13.6 Secondary Circuit Protection

The drive uses printed circuit wiring that protects the possibility of sustained combustion due to circuit or component failure. Adequate secondary over-current protection is the responsibility of system suppliers.

The host system must protect the drive from any electrical short circuit problem. 10 [A] limit is required for safety purposes.

---

## 6.14 Packaging

The drives are packed in ESD protective bags for shipping.

---

## Part 2. SCSI Interface Specification





## 7.0 SCSI COMMAND SET

Summaries of the SCSI commands supported by the file are listed below. where O=optional, M=mandatory.

Type	Code	Description
M	04h	FORMAT UNIT
M	12h	INQUIRY
O	4Ch	LOG SELECT
O	4Dh	LOG SENSE
O	15h	MODE SELECT (6)
O	55h	MODE SELECT (10)
O	1Ah	MODE SENSE (6)
O	5Ah	MODE SENSE (10)
O	34h	PRE-FETCH
M	08h	READ
O	3Ch	READ BUFFER
M	25h	READ CAPACITY
O	37h	READ DEFECT DATA (10)
O	B7h	READ DEFECT DATA (12)
M	28h	READ EXTENDED
O	3Eh	READ LONG
O	07h	REASSIGN BLOCKS
O	1Ch	RECEIVE DIAGNOSTICS
M	17h	RELEASE (6)
O	57h	RELEASE (10)
O	A0h	REPORT LUN
M	03h	REQUEST SENSE
M	16h	RESERVE (6)
O	56h	RESERVE (10)
O	01h	REZERO UNIT
O	0Bh	SEEK
O	2Bh	SEEK EXTENDED
M	1Dh	SEND DIAGNOSTICS
O	1Bh	START/STOP UNIT
O	35h	SYNCHRONIZE CACHE
M	00h	TEST UNIT READY
O	2Fh	VERIFY
M	0Ah	WRITE
O	2Eh	WRITE AND VERIFY
O	3Bh	WRITE BUFFER
M	2Ah	WRITE EXTENDED
O	3Fh	WRITE LONG
O	41h	WRITE SAME

Figure 54. SCSI Commands Supported

---

## 7.1 SCSI Control Byte

The Control Byte is the last byte of every CDB. The format of this byte is shown below.

---

Bit								
7	6	5	4	3	2	1	0	
VU = 0		Reserved = 0				FLAG	LINK	

---

Figure 55. SCSI Control Byte

**VU** VU stands for Vendor Unique.

**FLAG** The Flag bit specifies which message the target shall return to the initiator if the link bit is one and the command completes without any error. If Link is zero, Flag must also be zero. If Link is one and the command terminates successfully, the file will send either the LINKED COMMAND COMPLETE message (FLAG=0) or the LINKED COMMAND COMPLETE WITH FLAG message (FLAG=1). Typically this bit is used to cause an interrupt in the initiator between linked commands.

**LINK** This bit is set to one to indicate that the initiator desires an automatic link to the next command upon successful completion of the current command. Upon successful completion of the command, the file will return INTERMEDIATE GOOD status and then send one of the two messages defined under Flag above.

Upon unsuccessful completion of the command, the file will return CHECK CONDITION status or RESERVATION CONFLICT status and then send the COMMAND COMPLETE message. No further commands in the chain are executed.

---

## 7.2 Abbreviations

These abbreviations are used throughout the following sections:

**LUN.** Logical Unit Number. An encoded three bit identifier for the logical unit.

**VU.** Vendor Unique bits.

**LBA.** Logical Block Address.

**RSVD.** Reserved.

**MSB.** Most Significant bit.

**LSB.** Least Significant bit.

---

## 7.3 Byte ordering conventions

In this specification, where it is not explicitly stated, all multi-byte values are stored with the most significant byte first. For example in a 4 byte field byte 0 will contain the MSB and byte 3 the LSB.

## 7.4 FORMAT UNIT (04)

Byte	Bit							
	7	6	5	4	3	2	1	0
0	Command Code = 04h							
1	LUN			FmtData	CmpList	Defect List Format		
2	VU = 0							
3 4	(MSB)			Interleave Factor				(LSB)
5	VU = 0		Reserved = 0			FLAG	LINK	

Figure 56. FORMAT UNIT (04)

The FORMAT command performs a physical formatting of the file media. This includes handling of defective sectors, and the overwriting of all data areas with a constant data pattern. (Reserved areas of the media are not affected by the FORMAT command.)

- **FmtData** set to one specifies that a Data Out phase follows the Command phase. FmtData set to zero specifies that no Data Out phase follows.
- **CmpList** set to one specifies that the GList (Grown Defect List) existing prior to the format **not** be used and is discarded. The Drive is formatted with PList and DList (if specified). DList becomes the new GList.

**Note:** The file manages two internal defect lists and one external. The primary defect list (“P”List) is created at time of manufacture and cannot be altered. The grown defect list (“G”List) is built after manufacture by the Initiators use of the REASSIGN BLOCK command and the Automatic Reallocate functions. The data defect list (“D”List) is an external list. It is supplied by the initiator in the DATA OUT phase of the FORMAT UNIT command.

- **Defect List Format** specifies the format of the defect descriptor transferred to the Target when FmtData bit is set to one. The Target supports three defect descriptor formats for the Format Unit command as following:

### Format Description

- 000b** Block format
- 100b** Bytes From Index format
- 101b** Physical Sector format

If the FmtData bit is set to zero this field must also be zero otherwise the command will complete with a check condition with a sense key of illegal request and an additional sense code of invalid field in CDB.

- **Interleave Factor** may be zero or one, either of which specifies an interleave of 1:1. Other Interleave Factors are ignored because of the extensive buffering implemented in the file.

## 7.4.1 Defect List

Byte	Bit							
	7	6	5	4	3	2	1	0
0	Reserved = 0							
1	FOV	DPRY	DCRT	STPF	IP = 0	DSP = 0	Immed	0
2 3	(MSB) Defect List Length							(LSB)

Figure 57. Format of Defect List Header. Format of the defect list header sent during the data out phase when FmtData set to one.

The Target has a limited implementation of the Format Option bits located in Bits 2 through 7 of Byte 1 of the Defect List Header (See Figure 57). If the Initiator attempts to select any function not implemented by the Target, the Target terminate the command with *Check Condition Status*. The sense key is set to *Illegal Request* and the additional sense code is set to *Invalid Field in Parameter List*.

- **FOV** (Format Options Valid) bit of zero causes the Target to verify that the setting for the DPRY (Disable Primary), DCRT (Disable Certification), STPF (Stop Format), IP (Initialize Pattern), and DSP (Disable Saving Parameters) bits are zero. If any of these bits are not zero, the Target terminates the command with *Check Condition Status*. The sense key is set to *Illegal Request* and the additional sense code is set to *Invalid Field in Parameter List*.

**Note:** When FOV bit is one there are three combinations of the DPRY, DCRT, STPF, IP and DSP bits allowed. Any other combinations return a *Check Condition Status* With a sense key of *Illegal Request* and an additional sense code of *Invalid Field In Parameter List*. The supported combination are:

DPRY=0	DCRT=1	STPF=1	IP=0	DSP=0
DPRY=1	DCRT=1	STPF=1	IP=0	DSP=0
DPRY=0	DCRT=0	STPF=1	IP=0	DSP=0

- **DPRY** (Disable Primary) bit set to zero indicates that the Target does not use portions of the medium identified as defective in the primary defect PList for Initiator addressable logical blocks. If the Target cannot locate the PList or it cannot determine whether a PList exists, the target terminates the Format Unit command as described for STPF=1. A DPRY bit of one indicates that the Target does not use the Plist to identify defective areas of the medium. The Plist is not deleted.
- **DCRT** (Disable Certification) bit of ZERO indicates that the Target performs a medium certification operation and generates a Certification List (CList) and the Target adds the Clist to the Glist. A DCRT bit of one indicates that the Target does not generate a CList (Certification List) nor perform a certification process while executing the Format Unit Command.

**Note:** Since the DCRT bit is part of the Data Out phase that follows the format command, the FCERT bit in Mode Page 0 is provided to control certification when the format command is issued with no Data Out phase. If a format command is issued with a Data Out phase then FCERT is ignored.

- **STPF** (Stop Format) bit must be set to one. If one or both of the following conditions occurs, the Target terminates the Format Unit command with *Check Condition Status*. The sense key is set to *Medium Error* and the additional sense code is set to either *Defect List Not Found* if the first condition occurred, or *Defect List Error* if the second condition occurred.

- The Target cannot locate a required defect list nor determine that the list exists.
- The Target encounters an unrecoverable error while accessing a required defect list.
- **IP** (Initialization Pattern) bit must be set to zero. The Target initializes all data with zeros.
- **DSP** (Disable Saving Parameters) bit must be set to zero. The Target saves all the Mode Select savable parameters during the format operation.
- **Immed** (Immediate) bit set to zero requests that status be returned at the end of the format operation. An immediate bit set to one requests that status be returned immediately. *Good Status* is returned following the CDB validation and transfer of data in the Data Out phase. If the immediate format operation terminates in error, Deferred Error Sense data is generated. With the immediate bit set to one, the Link bit must be set to zero.

## 7.4.2 Defect Descriptor

The Defect List Length field specifies the total length in bytes of the defect descriptors that follow. The Target has an implementation limitation for number of defect descriptors. The number of defect descriptor shall be less than **128**. The defect list length must be equal to four times the number of defect descriptors to follow for the BLOCK format, or eight times the number of defect descriptors to follow for the BYTES FROM INDEX and PHYSICAL SECTOR format, otherwise the command is terminated with *Check Condition Status* The sense key is set to *Illegal Request* and the additional sense code is set to *Invalid Field In Parameter List*. The defect descriptors must specify the defect based on the current Format Device parameters reported by the Mode Sense command.

The Target supports three Defect List formats.

### 7.4.2.1 Block Format

The Block format of the defect list supported by the file is by logical block where the location of defective sectors is given by their LBA.

Byte	Bit							
	7	6	5	4	3	2	1	0
0	(MSB) Defective Logical Block Address (LSB)							
1								
2								
3								
4n - 4n + 3	Defective Logical Block Address n							

Figure 58. Defect Descriptor - Block Format. Format of the defect list sent during the data out phase when FmtData set to one.

### 7.4.2.2 Bytes From Index Format

Each defect descriptor for the Bytes From Index format specifies that the sector containing this byte be marked defective. The defect descriptor is comprised of the cylinder number of the defect, the head number of the defect, and the defect bytes from index.

Byte	Bit							
	7	6	5	4	3	2	1	0
0	(MSB) Cylinder Number of Defect (LSB)							
1								
2								
3	Head Number of Defect							
4	(MSB) Defect Bytes from Index (LSB)							
5								
6								
7								
8n - 8n + 7	Defect Descriptor n							

Figure 59. Defect Descriptor - Bytes From Index Format. Format of the defect list sent during the data out phase when FmtData set to one.

### 7.4.2.3 Physical Sector Format

Each defect descriptor for the Physical Sector format specifies a defect that is the length of a sector. The defect descriptor is comprised of the cylinder number of the defect, the head number of the defect, and the defect sector number.

Byte	Bit							
	7	6	5	4	3	2	1	0
0	(MSB) Cylinder Number of Defect (LSB)							
1								
2								
3	Head Number of Defect							
4	(MSB) Defective Sector Number (LSB)							
5								
6								
7								
8n - 8n + 7	Defect Descriptor n							

Figure 60. Defect Descriptor - Physical Sector Format. Format of the defect list sent during the data out phase when FmtData set to one.

## 7.5 INQUIRY (12)

Byte	Bit							
	7	6	5	4	3	2	1	0
0	Command Code = 12h							
1	LUN			Reserved = 0			CmdDt=0	EVPD
2	Page Code							
3	Reserved = 0							
4	Allocation Length							
5	VU = 0	Reserved = 0				FLAG	LINK	

Figure 61. INQUIRY (12)

The INQUIRY command requests the parameters of the target to be sent to the initiator.

**An EVPD bit of one** specifies that the file shall return the vital product data page identified by the Page Code field in the CDB.<sup>1</sup> **Page code** specifies which page of vital product data information the file shall return.

EVPD	PAGE CODE	Description
0	0	The file returns the standard INQUIRY data.
0	Non Zero	The file returns CHECK CONDITION status with the sense key of ILLEGAL REQUEST and the additional sense code of INVALID FIELD IN CDB.
1	Supported	The file returns the vital product data of page code requested.
1	Unsupported	The file returns CHECK CONDITION status with the sense key of ILLEGAL REQUEST and the additional sense code of INVALID FIELD IN CDB.

**Allocation Length** specifies the number of bytes that the initiator has allocated for INQUIRY data to be returned. An allocation length of zero implies that no data is to be returned. The file will terminate the DATA IN phase when all available INQUIRY data has been transferred or when allocation length bytes have been transferred, whichever is less.

If an INQUIRY command is received from an initiator with a pending unit attention condition (before the target reports CHECK CONDITION status), the file processes the INQUIRY command. The unit attention condition is not cleared by this action.

<sup>1</sup> The available VPD pages are defined in the addendum provided for each different file model in the section entitled **Inquiry Data Format**.

---

## 7.6 Inquiry data

Fields with a value shown inside quotes (e.g. Value = 'xyz') are character fields. A value not in quotes is a numeric value. Character fields are alpha-numeric and represented in either ASCII or EBCDIC as stated.



## 7.6.1 Inquiry Data Format - EVPD = 0

Figure 62 shows the data format.

Byte	BIT							
	7	6	5	4	3	2	1	0
0	Qualifier = 0			Peripheral Device Type = 0				
1	RMB=0	Device-Type Modifier = 0						
2	ISO = 0		ECMA = 0			ANSI = 3		
3	RSVD = 0	TrmTsk = 0	Norm ACA=0	RSVD = 0	Response Data Format = 2			
4	Additional Length = 159 (9Fh)							
5	Reserved = 0							
6	RSVD = 0	EncSer = 0	RSVD = 0	MultiP = 0	MChngr = 0	ACKREQ Q = 0	Addr32 = 0	Addr16
7	REL_A = 0	Wb_32 = 0	Wb_16	Sync = 1	Link = 1	TTD = 0	CmdQu = 1	RSVD = 0
8-15	Vendor ID = 'IBM' (ASCII)							
16-31	Product ID (ASCII)							
32-35	Product Revision Level (ASCII)							
36-43	Unit Serial Number (ASCII)							
44-95	Reserved = 0							
96-145	Copyright Notice (ASCII)							
146-163	Reserved = 0							

Figure 62. INQUIRY Data - EVPD = 0

- **Qualifier** is set to zero to indicate that the LUN specified in the Command Block is currently supported. Qualifier is set to 011b when the LUN specified in the Command Block is not present.<sup>2</sup>
- **Peripheral Device Type** is set to zero to indicate that the device is a Direct-Access. Peripheral Dev. Type is set to 1Fh when the LUN specified in the Command Block is not present.
- **Removal Media Bit (RMB)** is always set to zero to indicate no removal media exist.
- **Device-Type Modifier** is set to zero.

<sup>2</sup> For all commands, except inquiry and request sense, if an invalid lun is specified a check condition will be returned.

- **ISO** is set to zero to indicate that this product does not claim compliance to the International Organization for Standardization (ISO) version of SCSI (ISO DP 9316).
- **ECMA** is set to zero to indicate that this product does not claim compliance to the European Computer Manufacturers Association (ECMA) version of SCSI (ECMA-111).
- **ANSI** indicates the level of the ANSI standard that is supported by the product. The file supports ANSI SCSI version 3.
- **TrmTsk** (Terminate Task) field of 0 indicates the Target does not support the TERMINATE TASK task management function as defined in the SAM.
- **NormACA** (Normal ACA) field of 0 indicates the device server does not support setting the NACA bit to one in the Control Byte of the CDB as defined in the SAM.
- **Response Data Format** is set to two to indicate that the Inquiry Data Format as specified in ANSI SCSI version 2 is supported by the file.
- **Additional Length** indicates the number of bytes of inquiry information that follows.
- **EncSer** (Enclosure Services) bit of 0 indicates that the Target does not contain an embedded enclosure service component.
- **MultiP** (MultiPort) bit of 0 indicates that the Target has a single port and does not implement multiport requirements.
- **MChngr** (Medium Changer) bit is only supported when the RMB bit is one.
- **ACKREQQ** (ACKQ/REQQ) bit of 0 indicates that the Target does not support a request and acknowledge data transfer handshake on a Q cable.
- **Addr32** (Wide SCSI Address 32) bit of 0 indicates that the Target does not support 32 bit wide SCSI Addresses.
- **Addr16** (Wide SCSI Address 16) bit of 1 indicates that the Target supports 16 bit wide SCSI Addresses.
- **REL\_A** is set to zero to indicate that the file does not support 'Relative Address Mode'.
- **Wb\_32** is set to zero to indicate that the file does not support 32-bit wide data transfers.
- **Wb\_16** is set to one to indicate that the file supports 16-bit wide data transfers. Wb\_16 is set to zero to indicate that the file does not support 16-bit wide data transfers.
- **Sync** is set to one to indicate that the file supports synchronous data transfer.
- **Link** is set to one to indicate that the file supports linked commands.
- **TTD** is set to zero to indicate that the file does not support the CONTINUE I/O PROCESS and TARGET TRANSFER DISABLE message for this logical unit.
- **CmdQu** is set to one to indicate that the file supports command queuing. CmdQu is set to zero to indicate that the file does not support command queuing.
- **SftRe** is set to zero to indicate that the target supports Hard Reset only.
- **Vendor ID** is 'IBM' padded with ASCII blanks.
- **Product ID** is specified in ASCII character.

Product ID	DNES-309170	DNES-318350	DNES-309170W/Y	DNES-318350W/Y
Maximum LBA	17916239	35843669	17916239	35843669
Number of Blocks	17916240	35843670	17916240	35843670

Figure 63. Product ID vs. Formatted Capacity

- **Product Revision Level** indicates the level of microcode. It indicates RAM microcode level.
- **Unit Serial Number** contains the file serial number.

## 7.6.2 Inquiry Data Format - EVPD = 1 - Page Code = 00

Byte	BIT							
	7	6	5	4	3	2	1	0
0	Qualifier = 0			Peripheral Device Type = 0				
1	Page Code = 00h							
2	Reserved = 0							
3	Page Length = 01h							
4	Supported Page Code = 80h							

Figure 64. INQUIRY DATA - EVPD = 1 (Page Code = 00)

- **Qualifier** is set to zero to indicate that the LUN specified in the Command Block is currently supported.
- **Peripheral Device Type** is set to zero to indicate that the device is a Direct-Access.
- **Page Code** is set to 0, and this field contains the same value as in the page code field of the INQUIRY command descriptor block.
- **Page length** specifies the length of the following page data.
- **The Supported Page Code** field contains the Page Codes supported by the target. The list is ascending order.

### 7.6.3 Inquiry Data Format - EVPD = 1 - Page Code = 80h

---

Byte	BIT							
	7	6	5	4	3	2	1	0
0	Qualifier = 0			Peripheral Device Type = 0				
1	Page Code = 80h							
2	Reserved = 0							
3	Page Length = 16 (10h)							
4 - 19	Serial Number							(ASCII)

---

Figure 65. INQUIRY DATA - EVPD = 1 (Page Code = 80h)

- **Qualifier** is set to zero to indicate that the LUN specified in the Command Block is currently supported.
- **Peripheral Device Type** is set to zero to indicate that the device is a Direct-Access.
- **Page Code** is set to 80h, and this field contains the same value as in the page code field of the INQUIRY command descriptor block.
- **Page length** is set to 16, and this field specifies the length of the following page data.
- **Serial Number** gives the drive serial number.

## 7.7 LOG SELECT (4C)

Byte	Bit							
	7	6	5	4	3	2	1	0
0	Command Code = 4Ch							
1	LUN			Reserved = 0			PCR	SP
2	PC		Reserved = 0					
3	Reserved = 0							
4								
5								
6								
7	(MSB) Parameter List Length = 0						(LSB)	
8								
9	Reserved = 0						FLAG	LINK

Figure 66. LOG SELECT (4C)

The LOG SELECT command provides a means for the initiator to clear statistical information maintained by the drive and reported via the Log Sense command.

- **PCR** The Parameter Code Reset determines whether the Log Sense parameters will be cleared and unit attention posted for all other initiators. A value of 1 indicates that the parameters should be cleared, while a value of zero (except when PC = 11b) indicates that the parameters should not be cleared.
- **SP** The Save Parameters bit value of zero indicates that the page parameters not be saved. A value of 1 indicates that the page parameters that are saveable should be saved after they have been changed.
- **PC** The Page Control field defines the type of parameters to be selected. The PC field set to 11b (and PCR is then a don't care) indicates that the Default Cumulative values are set to their default values of 0. If the PC field is set to 01b and PCR is set to 1 the Current Cumulative values are also set to their default values.

As the file does not support the threshold pages any other value in this field will cause the command to end with a CHECK CONDITION with a sense key of illegal request and an additional sense code of invalid field in CDB.

- **Parameter List Length** The Parameter List Length must be zero to indicate that no data is transferred from the initiator to the target during the potential DATA OUT phase.

If one or more fields of the CDB are not set correctly the command will be terminated with a CHECK CONDITION status. The Sense Key shall be set to Illegal Request and the additional sense code set to Invalid Field in CDB.

The Log Select command will reset the counter variables to their default values of zero. These variables are listed in the Log Sense command.

The target generates a unit attention condition, to indicate that parameters have changed, for all initiators except the one that issued the Log Select command.

## 7.8 LOG SENSE (4D)

Byte	Bit							
	7	6	5	4	3	2	1	0
0	Command Code = 4Dh							
1	LUN			Reserved = 0			PPC = 0	SP
2	PC	Page Code						
3 4	Reserved = 0							
5 6	(MSB)	Parameter Pointer = 0						(LSB)
7 8	(MSB)	Allocation Length						(LSB)
9	Reserved = 0						FLAG	LINK

Figure 67. LOG SENSE (4D)

The LOG SENSE command allows the initiator to retrieve the statistical data about the drive.

- **PPC** (Parameter Pointer Control) bit must be set to zero. This specifies that the drive start transferring data starting from the field specified in the parameter pointer field for the number of bytes specified by the allocation length. If the PPC bit is set to 1, CHECK CONDITION status is returned with a Sense Key of Illegal Request and additional sense code of Invalid Field in CDB.
- **SP** (Save Parameters) bit set to 0 specifies that the drive does not save any log parameters. If set to 1 all page parameters that are savable (those pages denoted by a DS = 0 in the parameter header control byte) are saved.
- **PC** (Page Control) field defines the type of parameters to be selected. This field must be set to 01b to specify the current cumulative values or 11b to specify the default cumulative values.

As the file does not support the threshold pages any other value in this field will cause the command to end with a CHECK CONDITION with a sense key of illegal request and an additional sense code of invalid field in CDB.

- **Page Code** field identifies which page is being requested. This field must be set to the values indicated in Page 0. If the Page Code value is invalid a CHECK CONDITION status is returned with a Sense Key of Illegal Request and additional sense code of Invalid Field in CDB.
- **Parameter Pointer Field** specifies the beginning field for the transfer. This field must be set to 0000h. If the Parameter Pointer Field is not zero a CHECK CONDITION status is returned with a Sense Key of Illegal Request and additional sense code of Invalid Field in CDB.
- **Allocation Length** field specifies the maximum number of bytes the Initiator has allocated for returned Log Sense Data. No bytes are transferred if the length is zero. This condition is not considered an error. The target terminates the Data In phase when all available Log Sense data has been transferred or when the number of bytes equals the allocation length, whichever is less.

## 7.8.1 Log Page parameters

Each log page begins with a four-byte page header followed by zero or more variable-length log parameters.

- **Page Header** Page Code field identifies which log page is being transferred.

The Page Length field specifies the length in bytes of the following log parameters.

- **Log Parameters** Each log parameter begins with a four-bytes parameter header followed by one or more bytes of parameter value data.

The Parameter Code field identifies which log parameter is being transferred for that log page.

The Parameter Control field, or 3rd byte of each parameter header contains several fields.

- **DU** The Disable Update bit is set to 0 which indicates that the drive updates the log parameter value to reflect events that should be noted by that parameter.
- **DS** The Disable Save bit is set to 1 to indicate the parameter is non-saveable and is set to 0 to indicate the parameter is saveable.
- **TSD** The Target Save Disable bit is set to zero which indicates the drive provides a target defined method for saving log parameters.
- **ETC** The enable Threshold Comparison bit is set to 0 which indicates the drive does not perform comparisons between cumulative and any threshold values.
- **LBIN** The List Binary bit is set to 1 for vendor unique pages whose parameters lists are in binary format, not ASCII. This bit is reserved and set to 0 for all other pages.
- **LP** The List Parameter bit is set to 0 for parameters that are data counters. The LP bit is set to 1 for parameters that are lists.



## 7.8.2 Log Sense Page 0

Byte	7	6	5	4	3	2	1	0
0	Reserved		Page code = 0					
1	Reserved							
2-3	Page Length = 000Bh (Number of Pages Supported)							
4	First supported page 0h							
5	Second supported page 2h							
6	Third supported page 3h							
7	Fourth supported page 5h							
8	Fifth supported page 6h							
9	Sixth supported page 2Fh							
10	Sixth supported page 30h							
11	Sixth supported page 31h							
12	Sixth supported page 32h							
13	Seventh supported page 3Eh							
14	Eighth supported page 3Fh							

Page 0 indicates the supported log sense pages. This page is used to determine which additional pages can be requested by an Initiator.

## 7.8.3 Log Sense Page 2

This page contains counters for write errors

Byte	7	6	5	4	3	2	1	0
0	Reserved		Page code = 02h					
1	Reserved							
2 - 3	PageLength = 54h							
4 - 5	Parameter Code = 00h							
6	DU = 0	DS = 0	TSD = 0	ETC = 0	TMC = 0		LBIN = 0	LP = 0
7	Parameter Length = 08h							
8 - 15	Errors recovered without delay = 0							
16 - 17	Parameter Code = 01h							
18	DU = 0	DS = 0	TSD = 0	ETC = 0	TMC = 0		LBIN = 0	LP = 0
19	Parameter Length = 08h							
20 - 27	Count of LBA's with write fault errors							
28 - 29	Parameter Code = 02h							
30	DU = 0	DS = 0	TSD = 0	ETC = 0	TMC = 0		LBIN = 0	LP = 0
31	Parameter Length = 08h							
32 - 39	Count of LBA's with id type errors							
40 - 41	Parameter Code = 03h							
42	DU = 0	DS = 0	TSD = 0	ETC = 0	TMC = 0		LBIN = 0	LP = 0
43	Parameter Length = 08h							
44 - 51	Total errors recovered							
52 - 53	Parameter Code = 04h							
54	DU = 0	DS = 0	TSD = 0	ETC = 0	TMC = 0		LBIN = 0	LP = 0
55	Parameter Length = 08h							
56 - 63	Times recovery invoked							

Byte	7	6	5	4	3	2	1	0
64 - 65	Parameter Code = 05h							
66	DU = 0	DS = 0	TSD = 0	ETC = 0	TMC = 0		LBIN = 0	LP = 0
67	Parameter Length = 08h							
68 - 75	Total bytes written							
76 - 77	Parameter Code = 06h							
78	DU = 0	DS = 0	TSD = 0	ETC = 0	TMC = 0		LBIN = 0	LP = 0
79	Parameter Length = 08h							
80 - 87	Count of LBA's with hard error							

## 7.8.4 Log Sense Page 3

This page contains counters for read errors

Byte	7	6	5	4	3	2	1	0
0	Reserved		Page code = 03h					
1	Reserved							
2 - 3	PageLength = 54h							
4 - 5	Parameter Code = 00h							
6	DU = 0	DS = 0	TSD = 0	ETC = 0	TMC = 0		LBIN = 0	LP = 0
7	Parameter Length = 08h							
8 - 15	Errors recovered without delay = 0							
16 - 17	Parameter Code = 01h							
18	DU = 0	DS = 0	TSD = 0	ETC = 0	TMC = 0		LBIN = 0	LP = 0
19	Parameter Length = 08h							
20 - 27	Count of LBA's with ECC detected errors							
28 - 29	Parameter Code = 02h							
30	DU = 0	DS = 0	TSD = 0	ETC = 0	TMC = 0		LBIN = 0	LP = 0
31	Parameter Length = 08h							
32 - 39	Count of LBA's with id type errors							
40 - 41	Parameter Code = 03h							
42	DU = 0	DS = 0	TSD = 0	ETC = 0	TMC = 0		LBIN = 0	LP = 0
43	Parameter Length = 08h							
44 - 51	Total errors recovered							
52 - 53	Parameter Code = 04h							
54	DU = 0	DS = 0	TSD = 0	ETC = 0	TMC = 0		LBIN = 0	LP = 0
55	Parameter Length = 08h							
56 - 63	Times recovery invoked							

Byte	7	6	5	4	3	2	1	0
64 - 65	Parameter Code = 05h							
66	DU = 0	DS = 0	TSD = 0	ETC = 0	TMC = 0		LBIN = 0	LP = 0
67	Parameter Length = 08h							
68 - 75	Total bytes read							
76 - 77	Parameter Code = 06h							
78	DU = 0	DS = 0	TSD = 0	ETC = 0	TMC = 0		LBIN = 0	LP = 0
79	Parameter Length = 08h							
80 - 87	Count of LBA's with hard error							

The drive will attempt to read data after a seek before the head has fully settled on track. This is done to aid performance. However as a result there is a high incidence of error recovery invoked which normally uses ECC or a retry to recover the data. As a consequence of this an error recovered by a single retry is not reported by the error counters.

Additionally the drive does not report data recovered by ECC on the fly as it is not possible to distinguish between ECC errors caused by reading before settling and other causes.

## 7.8.5 Log Sense Page 5

This page contains counters for verify errors

Byte	7	6	5	4	3	2	1	0
0	Reserved		Page code = 05h					
1	Reserved							
2 - 3	PageLength = 54h							
4 - 5	Parameter Code = 00h							
6	DU = 0	DS = 0	TSD = 0	ETC = 0	TMC = 0		LBIN = 0	LP = 0
7	Parameter Length = 08h							
8 - 15	Errors recovered without delay = 0							
16 - 17	Parameter Code = 01h							
18	DU = 0	DS = 0	TSD = 0	ETC = 0	TMC = 0		LBIN = 0	LP = 0
19	Parameter Length = 08h							
20 - 27	Count of LBA's with ECC detected errors							
28 - 29	Parameter Code = 02h							
30	DU = 0	DS = 0	TSD = 0	ETC = 0	TMC = 0		LBIN = 0	LP = 0
31	Parameter Length = 08h							
32 - 39	Count of LBA's with id type errors							
40 - 41	Parameter Code = 03h							
42	DU = 0	DS = 0	TSD = 0	ETC = 0	TMC = 0		LBIN = 0	LP = 0
43	Parameter Length = 08h							
44 - 51	Total errors recovered							
52 - 53	Parameter Code = 04h							
54	DU = 0	DS = 0	TSD = 0	ETC = 0	TMC = 0		LBIN = 0	LP = 0
55	Parameter Length = 08h							
56 - 63	Times recovery invoked							

Byte	7	6	5	4	3	2	1	0
64 - 65	Parameter Code = 05h							
66	DU = 0	DS = 0	TSD = 0	ETC = 0	TMC = 0		LBIN = 0	LP = 0
67	Parameter Length = 08h							
68 - 75	Total bytes verified							
76 - 77	Parameter Code = 06h							
78	DU = 0	DS = 0	TSD = 0	ETC = 0	TMC = 0		LBIN = 0	LP = 0
79	Parameter Length = 08h							
80 - 87	Count of LBA's with hard error							

The drive will attempt to read data after a seek before the head has fully settled on track. This is done to aid performance. However as a result there is a high incidence of error recovery invoked which normally uses ECC or a retry to recover the data. As a consequence of this an error recovered by a single retry is not reported by the error counters.

Additionally the drive does not report data recovered by ECC on the fly as it is not possible to distinguish between ECC errors caused by reading before settling and other causes.

## 7.8.6 Log Sense Page 6

This page contains counters for non-medium errors. This includes seek errors and other hardware type failures.

Byte	7	6	5	4	3	2	1	0
0	Reserved		Page code = 06h					
1	Reserved							
2 - 3	PageLength = 0Ch							
4 - 5	Parameter Code = 00h							
6	DU = 0	DS = 0	TSD = 0	ETC = 0	TMC = 0		LBIN = 0	LP = 0
7	Parameter Length = 08h							
8 - 15	Error Count							



## 7.8.7 Log Sense Page 2F

This page contains SMART Status and Temperature Reading.

Byte	7	6	5	4	3	2	1	0
0	Reserved		Page code = 2Fh					
1	Reserved							
2 - 3	PageLength = 8							
4 - 5	Parameter Code = 0000h							
6	DU = 0	DS = 0	TSD = 0	ETC = 0	TMC = 0		LBIN = 0	LP = 0
7	Parameter Length = 04h							
8	SMART Sense Code Byte							
9	SMART Alert Reason Code							
10	Most Recent Temperature Reading in °C							
11	Vendor HDA Temperature Trip Point in °C							

SMART Alert Reason Code in Byte 9 indicates the following.

Byte 9	SMART Alert Reason
32h	Read Error Rate exceeding the threshold
4Ah	Write Error Rate exceeding the threshold
43h	Seek Error Rate exceeding the threshold
14h	Spare Sector Availability Warning
50h	Contact Start Stop Count Warning
56h	Spin Up Time Warning
5Bh	Spin Up Retry Count Warning
00h	Power On Hour Warning
10h	Delta Flyheight Warning

Figure 68. SMART Alert Reason Code

## **7.8.8 Log Sense Page 30**

Reserved.

## **7.8.9 Log Sense Page 31**

Reserved.

## **7.8.10 Log Sense Page 32**

Reserved.

## **7.8.11 Log Sense Page 3E**

Reserved.

## **7.8.12 Log Sense Page 3F**

Reserved.

## 7.9 MODE SENSE (1A)

Byte	Bit							
	7	6	5	4	3	2	1	0
0	Command Code = 1Ah							
1	LUN			RSVD	DBD	Reserved = 0		
2	PCF		Page Code					
3	Reserved = 0							
4	Allocation Length							
5	VU = 0		Reserved = 0			FLAG	LINK	

Figure 69. MODE SENSE (1A)

The MODE SENSE (1A) command provides a means for the file to report various device parameters to the initiator. It is the complement to the MODE SELECT command.

If the **DBD** (Disable Block Descriptor) bit is zero, the target will return the Block Descriptor. If the DBD bit is set to 1, the target will not return the Block Descriptor.

**Allocation Length** indicates the maximum number of bytes the initiator has set aside for the DATA IN phase. A value of zero is not considered an error. If the allocation length is smaller than the amount available, then that portion of the data up to the allocation length will be sent. It is noted that this may result in only a portion of a multi-byte field being sent.

**7.9.1.1.1 Page Control Field:** PCF (Page Control Field) defines the type of Page Parameter values to be returned.

### PCF Meaning

**0 0 Report current values.** The file returns the current values under which the logical unit is presently configured for the page code specified. The current values returned are:

1. The parameters set in the last successful MODE SELECT command.
2. The saved values if a MODE SELECT command has not been executed since the last power-on, hard RESET condition, or BUS DEVICE RESET message .

**Note:** The file will not process the Mode Select command until the completion of spin-up. Therefore, the initiator cannot modify the current values prior to the saved values being read in.

**0 1 Report changeable value.** The file returns the changeable values for the page code specified. The page requested shall be returned containing information that indicate which fields are changeable. All bits of parameters that are changeable shall be set to one. Parameters that are *defined by the file* shall be set to zero. If any part of a field is changeable all bits in that field shall be set to one.

**Note:** For a value field such as the buffer ratios of page 2, the bit field will not indicate the range of supported values but rather that the field is supported.

**1 0 Report default value.** The file returns the default values for the page code specified. The parameters not supported by the file are set to zero.

**1 1 Report saved value.** The file returns the saved value for the page code specified.

Saved values are one of following :

- the values saved as a result of MODE SELECT command
- identical to the default values
- zero when the parameters are not supported

The Page Length byte value of each page returned by the file indicates up to which fields are supported on that page.

**7.9.1.1.2 Page Code:** This field specifies which page or pages to return. Page code usage is defined in Figure 70.

Page Code	Description
00h – 1Ch	Return specific page.
3Fh	Return all available pages.

Figure 70. Page Code Usage

## 7.9.2 Mode Parameter List

The mode parameter list contain a header, followed by zero or more block descriptors, followed by zero or more variable-length pages.

### 7.9.2.1 HEADER

The six-byte command descriptor block header is defined below.

#### 7.9.2.1.1 Mode parameter header (6)

---

	7	6	5	4	3	2	1	0
BYTE 0	Mode Data Length							
BYTE 1	Medium Type = 0							
BYTE 2	WP	Reserved = 0						
BYTE 3	Block Descriptor Length (= 0 or 8)							

---

Figure 71. Mode parameter header (6)

The ten-byte command descriptor block header is defined below.

#### 7.9.2.1.2 Mode parameter header (10)

	7	6	5	4	3	2	1	0
BYTE 0	(MSB) Mode Data Length							(LSB)
BYTE 1								
BYTE 2	Medium Type = 0							
BYTE 3	WP	Reserved = 0						
BYTE 4	Reserved = 0							
BYTE 5								
BYTE 6	(MSB) Block Descriptor Length							(LSB)
BYTE 7	(= 0 or 8)							

Figure 72. Mode parameter header (10)

- **Mode Data Length.** When using the MODE SENSE command, the mode data length field specifies the length in bytes of the following data that is available to be transferred. The mode data length does not include the length byte itself. When using the MODE SELECT command, this field is reserved.
- **Medium Type** field is always set to zero in the file (Default Medium Type).
- **WP.** When used with the MODE SELECT command, the Write Protect (WP) bit is reserved.  
When used with the MODE SENSE command, a Write Protect (WP) bit of zero indicates that the medium is write enabled.
- **Block Descriptor Length** specifies the length in bytes of the block descriptors.  
When used with the MODE SELECT command, zero or eight are supported by the file.  
When used with the MODE SENSE command, the file returns eight to indicate that only a single block descriptor is available.

### 7.9.2.2 Block Descriptor

BYTE 0	Number of Blocks (MSB)						
BYTE 1							
BYTE 2							
BYTE 3	(LSB)						
BYTE 4	Density code = 0						
BYTE 5	Block Length						
BYTE 6							
BYTE 7							

Figure 73. MODE Parameter Block Descriptor

The Block descriptor provides formatting information about the Number of Blocks (user addressable) to format at the specified Block Length.

- **Number of Blocks**

When used with the MODE SELECT command, the **Number of Blocks** field must be;

- Zero to indicate not to change available blocks
- 0xFFFFFFFF to indicate all available blocks
- The exact number of blocks in the data area of the file, which can be obtained with the MODE SENSE
- The number of blocks less than exact one, in order to **CLIP** the number of blocks

Any other value is invalid, and causes the command to fail with CHECK CONDITION status.

When used with the MODE SENSE command, the field contain exact number of blocks.

- **Block Length**

When used with the MODE SELECT command, the **Block length** field must contain the value 512 or zero, or the file will terminate the command with CHECK CONDITION status.

When used with the MODE SENSE command, the field is dependent on how the media is currently formatted.

### 7.9.2.3 Page Descriptor

---

BYTE 0	PS	RSVD=0	Page Code
BYTE 1	Page Length		
BYTE 2-n	Mode Parameters		

---

Figure 74. MODE Parameter Page Format

Each mode page contains a page code, a page length, and a set of mode parameters.

When using the MODE SENSE command, a Parameter Savable (PS) bit of one indicates that the mode page can be saved by the file in the reserved area of the file. A PS bit of zero indicates that the supported parameters cannot be saved. When using the MODE SELECT command, the PS bit is reserved (zero).

The file supports the following mode page code:

---

Page	Description	PS
00	Vendor Unique Parameters	1
01	Read-Write Error Recovery Parameters	1
02	Disconnect/Reconnect Control Parameters	1
03	Format Device Parameters	0
04	Rigid Disk Geometry Parameters	0
07	Verify Error Recovery Parameters	1
08	Caching Parameters	1
0A	Control Mode Page	1
0C	Notch Parameters	1
1A	Power Control Parameters	1
1C	Informational Exceptions Control	1

---

Figure 75. Page Code Usage

The page length field specifies the length in bytes of the mode parameters that follow. If the initiator does not set this value to the value that is returned for the page by the MODE SENSE command, the file will terminate the command with CHECK CONDITION status.

### 7.9.3 Page 0 (Vendor Unique Parameters)

	BIT								
	7	6	5	4	3	2	1	0	Default
BYTE 0	PS	RSVD=0	Page Code = 00h						80h
BYTE 1	Page Length = 0Eh								0Eh
BYTE 2	QPE	UQE	Ignore	UAI	MRG	Ignored		ARHES	51h
BYTE 3	ASDPE	Ignore	CMDAC	Ignored		RRNDE	CPE		21h
BYTE 4	Ignored								00h
BYTE 5	Ignored			FDD	Ignored		CAEN	Ignore	12h
BYTE 6	IGRA	AVERP	EADM	Ignored					00h
BYTE 7	Ignored								00h
BYTE 8	Ignore	ADC	Ignored		LED Mode			40h	
BYTE 9	Temperature Threshold								00h
BYTE 10	Command Aging Limit (Hi byte)								00h
BYTE 11	Command Aging Limit (Low byte)								30h
BYTE 12	QPE Read Threshold								0Ah
BYTE 13	QPE Write Threshold								0Ah
BYTE 14	DRRT	Ignored			FFMT	Ignored			00h
BYTE 15	Ignored		FCERT	Ignored		IRT	IVR	00h	

Figure 76. Page 0

Fields marked in the table as 'Ignore' are not used or checked by the file. They will be initialized to zero but may be set as desired. This is for compatibility with older drives.

- **QPE** (Qualify Post Error) bit allows the Initiator to inhibit the reporting of recovered data errors which are recovered under Data Recovery Procedure (DRP) step. A QPE bit of zero causes the Target to report all recovered data errors. A QPE bit of one causes the Target to report only those recovered data errors which exceed the QPE threshold.
- **UQE** (Untagged Queuing Enable) bit controls whether or not untagged queuing is allowed.
- **UAI** (Unit Attention Inhibit) bit is not used during normal operation while the UAI jumper is removed from the drive. It may however be changed by the user with no effects. If the UAI jumper is added to the drive then this bit controls the generation of unit attention conditions.
- **MRG** (Merge G-List into P-List) bit is set to 1 for merging the Grown Defect List (G-List) entries into the Primary Defect List (P-List) during Format Unit command.



- **ARHES** (Automatic Reassign Hard Error Sites) bit of one indicates the drive will automatically reassign an hard read error. With ARHES bit active, the LBA with an unrecovered read error is internally registered as a reassign candidate, and when the write command is received to the failing LBA, the data is written and verified if the error still exists. If the error still occurs on the failing LBA, it will be re-assigned. If the error is cleared, the Target will remove the reassign candidate internally for the previously failing LBA. ARHES bit of zero indicates the drive will not automatically recover hard read error.

ARRE and AWRE bits in Mode Page 1 do not affect ARHES operation, and ARHES works independently.

- **ASDPE** (Additional Save Data Pointer Enable) bit is used to control the sending of additional save data pointers messages. When set it will cause a save data pointers message to be sent on every disconnection. This bit is only used by the Target after the Default Mode parameter values are overridden with the Saved values which are read from the Reserved Area of the media as a part of the motor start-up sequence. Before the Saved values are read from the Reserved Area of the media, the Save Data Pointer message is always sent to the Initiator prior to disconnection. When not set a save data pointers message is only sent if the current connection contained a data phase and a further data phase will be required to complete the command.
- **CMDAC** (Command Active) bit determines in conjunction with **LED Mode** bits if an LED on the file is activated while commands are active. If CMDAC bit is one and LED bits are zero, an LED driver is active when a command is queued or executed.
- **RRNDE** (Report Recovered Non Data Errors) bit controls the reporting of recovered Non Data Errors when the PER bit is set. If RRNDE is set then recovered Non Data Errors are reported. If the RRNDE bit is not set then recovered Non Data Errors are not reported.
- **CPE** (Concurrent Processing Enable) bit is allowed to be modified by the initiator for host system device driver compatibility. Read(6), Read extend(10), Write(6), Write extend(10), untagged and unlinked Request Sense or Inquiry can be executed concurrently in both CPE bit set to 0 and 1.
- **FDD** (Format Degraded Disable) bit of 1 prevents the Drive from reporting Format degraded on a Test Unit Ready Command, and causes media access commands (i.e. Read, Write) to report a media error if degraded. A FDD bit of 0 indicates that Format degraded is reported for the Test Unit Ready Command.
- **CAEN** When set this bit causes the Command Age Limit timer to be used to avoid commands waiting in the command queue for an indefinite period. When commands have been in the queue for a period of time greater than the timer limit they will be re-ordered to be executed in on a first come first served basis. When this bit is reset commands are always executed based on the queue re-ordering rules.
- **IGRA** (Ignore Reassigned LBA) bit is set to 1 for preventing the drive from reassign processing against reassigned LBA when RC bit (Mode Page 1 byte 2 bit 4) is active. The main purpose of this bit is to avoid undesirable read processing time delay due to reassigned LBA processing for continuous data availability requirements such as Audio Visual application. IGRA bit is set to 0 specifies the drive shall process reassigned LBA even if RC bit is active.
- **AVERP** (AV ERP Mode) bit is set to one in order to specify maximum retry counts during DRP and command execution time limit. When AVERP bit is set to one, the maximum retry counts for read and write operations are specified by Read Retry Count (Mode Page 1 Byte 3) and Write Retry Count (Mode Page 1 Byte 8) respectively. Recovery Time Limit (Mode Page 1 Byte 10 and 11) is effective to limit the command execution time. AVERP bit is set to zero for ignoring Recovery Time Limit value and for specifying that the drive shall process DRP up to the default maximum retry count when Read Retry Count and Write Retry Count are set to non-zero value. \*
- **EADM**, Enable Automatic Drive Maintenance bit, is set to one to indicate that the ADM function is enabled to maintain MTTF of the drive. The EADM bit of zero disables the ADM function.

- **ADC** (Adaptive Cache Enable), when set, allows the drive to modify the read-ahead caching algorithm, ignoring parameters in Page 8. The adaptation is based on analyzing the most recent command history and the current contents of the cache buffers.
- **LED Mode** is designed to control the operation of a file LED driver.
  - LED Mode = 0000b
    - The CMDAC bit controls the LED.
    - CMDAC = 1 (Command Active)
    - CMDAC = 0 (Motor Active)
  - LED Mode = 0001b (Motor Active)
    - When the motor is spinning, the LED is high.
  - LED Mode = 0010b (Command Active).
    - When there is a command active or in the queue, the LED is high.
- **Temperature Threshold** specifies the threshold value in degrees Celsius for the thermal sensor warning message. The temperature threshold can be adjusted in the range: 1 to 255 °C. A value of 0 selects the default value 85 °C.
- **Command Aging Limit** This value is used to control the maximum time a command should wait in the command queue when the CAEN bit is set. Each unit of this timer is 50ms.
- **QPE Read Threshold** specifies the error reporting threshold for read operations when the QPE bit is set to one.
- **QPE Write Threshold** specifies the error reporting threshold for write operations when the QPE bit is set to one.
- **DRRT** (Disable Restore Reassign Target) bit Disables the reading and restoration of the target LBA during a Reassign Blocks command. If the DRRT bit is zero, the reassign command attempts to restore the target LBA's data. If the data cannot be restored, the target LBA is reassigned and written with a data pattern of all 00's. If the DRRT bit is one, no attempt is made to restore the target LBA.
- **FFMT** (Fast Format enable) bit allows formatting this drive without any writes to the customer media. All format operations are allowed including changing block sizes and manipulating defects. The file will operate normally after a fast format with the following caveat: Since no data is written to any customer data blocks as a result of a Fast Format operation, there is a possibility that a read attempt to any particular block (without having previously written to that block) will result in an unrecoverable data error. This will most assuredly happen if the block size is changed as every LBA will contain data of an incorrect length and, apparently, incorrect starting point. It is also possible to generate an uncorrectable data error without changing block sizes if the defect list is shortened and previously bad blocks become visible in the customer address space. Of course ALL DATA ON THE FILE WILL BE LOST as the result of any format operation and so any attempt to read blocks which have not been written to will result in unpredictable behavior.
- **FCERT** (Format Certification) bit determines whether the certification step will be performed during a Format Unit command. A FCERT bit set to 0 disables certification. A FCERT bit set to 1 enables the certification step.
- **IRT** (Integration Reassign Threshold) bit determines the threshold used to recommend reassignment or initiate auto-reassign. When IRT is disabled with a value set to 0, the thresholds used to determine when a sector should be reassigned and either recommended or auto-reassigned, depending upon state of the ARRE and AWRE bits, are set to values optimized for end user environments. When enabled, by setting to 1, thresholds optimized for integrating the drive into a system to minimize end-user field failures is used.
- **IVR** (Integration Verify Recovery) bit determines the maximum number of steps attempted during a Verify Recovery Procedure (VRP). When disabled with a value set to 0, all of steps are attempted, if

required. When enabled, by setting to 1, a maximum number of steps optimized for integrating the drive into a system to minimize end-user field failures is used.

## 7.9.4 Page 1 (Read/Write Error Recovery Parameters)

		BIT								Default	
		7	6	5	4	3	2	1	0		
BYTE 0	PS	RSVD=0	Page Code = 01h								81h
BYTE 1	Page Length = 0Ah									0Ah	
BYTE 2	AWRE	ARRE	TB	RC	EER=0	PER	DTE	DCR		C0h	
BYTE 3	Read Retry Count									01h	
BYTE 4	Correction Span									00h	
BYTE 5	Head Offset Count (Ignored)									00h	
BYTE 6	Data Strobe Offset Count (Ignored)									00h	
BYTE 7	Reserved									00h	
BYTE 8	Write Retry Count									01h	
BYTE 9	Reserved									00h	
BYTE 10	(MSB)	Recovery Time Limit								00h	
BYTE 11									(LSB)	00h	

Figure 77. Page 1

The Read-Write recovery parameters that will be used during any command that performs a read or write operation to the medium.

- **AWRE**, an Automatic write reallocation enabled bit is set to zero to indicate that the file shall not perform automatic reallocation of defective data blocks during write operations.  
A AWRE bit is set to one to indicate that the file shall perform automatic reallocation of defective data blocks during write operations.
- **ARRE**, an Automatic read reallocation enabled bit is set to zero to indicate that the file shall not perform automatic reallocation of defective data blocks during read operations.  
A ARRE bit is set to one to indicate that the file shall perform automatic reallocation of defective data blocks during read operations.
- **TB**, Transfer Block bit, is set to one to indicate that a data block that is not recovered within the recovery limits specified shall be transferred to the initiator before CHECK CONDITION status is returned.  
A TB bit of zero indicates that such a data block shall not be transferred to the initiator. Data blocks that can be recovered within the recovery limits are always transferred, regardless of the value of the bit.
- **RC**, A read continuous bit set to 1 requests the Target to transfer the entire requested length of data without adding delays which would increase or ensure data integrity. This implies that the Target may send erroneous data. This bit has priority over all other error control bits (PER, DTE, DCR, TB).

**Note:** The Target implementation of the RC option is to disable error detection of the data fields but continue normal error detection and recovery for errors occurring in the servo field. If a servo field failure

occurred, then normal DRP could result in considerable recovery action, including proceeding through all levels of DRP.

RC set to 0 indicates normal interpretation of PER, DTE, DCR, and TB values. The RC bit setting is used by the Target when reporting errors associated with the transfer of the Initiator's data for the following commands:

- Read(6)
- Read(10)

For all other commands, the RC bit setting is unused and treated as 0.

- **EER**, An enable early recovery bit. **Must be set to zero**, indicating that the file shall use an error recovery procedure that minimizes the risk of mis-detection or mis-correction during the data transfer. Data shall not be fabricated.
- **PER**, Post Error bit, is set to one to indicate that the file reports recovered errors.
- **DTE**, Disable Transfer on Error bit, is set to one to indicate that the file terminates the DATA phase upon detection of a recovered error .
- **DCR**, Disable Correction bit, is set to one to indicate that Error Correction Code is not used for data error recovery.  
A DCR bit of zero indicates that ECC is applied to recover the data.
- **Read Retry Count** sets a limit on the amount of DRP passes that the Target attempts to recover read errors. A value of zero disables all data recovery procedures always. When AVERP bit (Mode Page 0 Byte 6 Bit 6) is zero, a value of non-zero in Read Retry Count enables all steps of DRP. When AVERP bit is one, the number in Read Retry Count sets the maximum retry count of DRP.
- **Correction Span** field specifies the size, in bits, of the largest data error burst for which data error correction may be attempted. Any value may be set into this field, including zero. The file will always use it's default correction capabilities.
- **Head Offset Count** is not supported by the file.

**Note:** Head Offset is implemented in the read error recovery routine. The user can not modify the offset value.

- **Write Retry Count** sets a limit on the amount of DRP passes that the Target attempts to recover write errors. A value of zero disables all data recovery procedures always. When AVERP bit (Mode Page 0 Byte 6 Bit 6) is zero, a value of non-zero in Write Retry Count enables all steps of DRP. When AVERP bit is one, the number in Write Retry Count sets the maximum retry count of DRP.
- **Recovery Time Limit** will be ignored when AVERP bit (Mode Page 0 Byte 6 Bit 6) is zero. When AVERP bit is set to 1, Recovery Time Limit indicates the period in 1 millisecond increments for the maximum command execution time. The value must be from 40 to 1600 msec. If a command is not able to be completed within the limit, a check condition will be returned when following mode page parameters are set.
  - ARHES = 0
  - AWRE = 0
  - ARRE = 0
  - PER = 0
  - WCE = 0

The following summarizes valid modes of operation. If an illegal mode is set the mode select command will complete successfully but the action of the file when an error occurs is undefined.

**PER DTE DCR TB DESCRIPTION**

<b>0</b>	<b>0</b>	<b>0</b>	<b>0</b>	Retries and Error Correction are attempted. Recovered and/or corrected data (if any) is transferred with no CHECK CONDITION status at the end of the transfer.  <b>no err</b> The transfer length is exhausted.  <b>soft err</b> The transfer length is exhausted. Transferred data includes blocks containing recovered errors.  <b>hard err</b> Data transfer stops when an unrecoverable error is encountered. The unrecoverable block is not transferred to the initiator. The file then creates the CHECK CONDITION status with the appropriate Sense Key.
<b>0</b>	<b>0</b>	<b>0</b>	<b>1</b>	Retries and Error Correction are attempted. Recovered and/or corrected data (if any) is transferred with no CHECK CONDITION status at the end of the transfer.  <b>no err</b> The transfer length is exhausted.  <b>soft err</b> The transfer length is exhausted. Transferred data includes blocks containing recovered errors.  <b>hard err</b> Data transfer stops when an unrecoverable error is encountered. The unrecoverable block is transferred to the initiator. The file then creates the CHECK CONDITION status with the appropriate Sense Key.
<b>0</b>	<b>0</b>	<b>1</b>	<b>0</b>	Retries are attempted but no error correction (ECC) is applied. Recovered data (if any) is transferred with no CHECK CONDITION status at the end of the transfer.  <b>no err</b> The transfer length is exhausted.  <b>soft err</b> The transfer length is exhausted. Transferred data includes blocks containing recovered errors.  <b>hard err</b> Data transfer stops when an unrecoverable error is encountered. The unrecoverable block is not transferred to the initiator. The file then creates the CHECK CONDITION status with the appropriate Sense Key.
<b>0</b>	<b>0</b>	<b>1</b>	<b>1</b>	Retries are attempted but no error correction (ECC) is applied. Recovered data (if any) is transferred with no CHECK CONDITION status at the end of the transfer.  <b>no err</b> The transfer length is exhausted.  <b>soft err</b> The transfer length is exhausted. Transferred data includes blocks containing recovered errors.  <b>hard err</b> Data transfer stops when an unrecoverable error is encountered. The unrecoverable block is transferred to the initiator. The file then creates the CHECK CONDITION status with the appropriate Sense Key.
<b>0</b>	<b>1</b>	<b>0</b>	<b>0</b>	Illegal Request-DTE must be zero when PER is zero
<b>0</b>	<b>1</b>	<b>0</b>	<b>1</b>	Illegal Request-DTE must be zero when PER is zero
<b>0</b>	<b>1</b>	<b>1</b>	<b>0</b>	Illegal Request-DTE must be zero when PER is zero
<b>0</b>	<b>1</b>	<b>1</b>	<b>1</b>	Illegal Request-DTE must be zero when PER is zero

- 1 0 0 0** The highest level error is reported at the end of transfer. Retries and error correction are attempted. Recovered and/or corrected data (if any) is transferred with CHECK CONDITION status and RECOVERED ERROR Sense Key set at the end of the transfer.
- no err** The transfer length is exhausted.
  - soft err** The transfer length is exhausted. Transferred data includes blocks containing recovered errors. The information byte in the sense data will contain the logical block address of the last recovered error.
  - hard err** Data transfer stops when an unrecoverable error is encountered. The unrecoverable block is not transferred to the initiator. The file then creates the CHECK CONDITION status with the appropriate Sense Key.
- 1 0 0 1** The highest level error is reported at the end of transfer. Retries and error correction are attempted. Recovered and/or corrected data (if any) is transferred with CHECK CONDITION status and RECOVERED ERROR Sense Key set at the end of the transfer.
- no err** The transfer length is exhausted.
  - soft err** The transfer length is exhausted. Transferred data includes blocks containing recovered errors. The information byte in the sense data will contain the logical block address of the last recovered error.
  - hard err** Data transfer stops when an unrecoverable error is encountered. The unrecoverable block is transferred to the initiator. The file then creates the CHECK CONDITION status with the appropriate Sense Key.
- 1 0 1 0** The highest level error is reported at the end of transfer. Retries are attempted but ECC is not applied. Recovered and/or corrected data (if any) is transferred with CHECK CONDITION status and RECOVERED ERROR Sense Key set at the end of the transfer.
- no err** The transfer length is exhausted.
  - soft err** The transfer length is exhausted. Transferred data includes blocks containing recovered errors. The information byte in the sense data will contain the LBA of the last recovered error.
  - hard err** Data transfer stops when an unrecoverable error is encountered. The unrecoverable block is not transferred to the initiator. The file then creates the CHECK CONDITION status with the appropriate Sense Key.
- 1 0 1 1** The highest level error is reported at the end of transfer. Retries are attempted but ECC is not applied. Recovered and/or corrected data (if any) is transferred with CHECK CONDITION status and RECOVERED ERROR Sense Key set at the end of the transfer.
- no err** The transfer length is exhausted.
  - soft err** The transfer length is exhausted. Transferred data includes blocks containing recovered errors. The information byte in the sense data will contain the LBA of the last recovered error.
  - hard err** Data transfer stops when an unrecoverable error is encountered. The unrecoverable block is transferred to the initiator. The file then creates the CHECK CONDITION status with the appropriate Sense Key.

1	1	0	0	<p>The highest level error is reported at the end of transfer. Retries and error correction are attempted. Recovered and/or corrected data (if any) is transferred with CHECK CONDITION status and RECOVERED ERROR Sense Key set at the end of the transfer.</p> <p><b>no err</b> The transfer length is exhausted.</p> <p><b>soft err</b> The transfer stops on the first soft error detected. The information in the sense data shall contain the LBA of the block in error.</p> <p><b>hard err</b> Data transfer stops on the unrecoverable error. The file then creates the CHECK CONDITION status with the appropriate Sense Key.</p>
1	1	0	1	<p>The highest level error is reported at the end of transfer. Retries and error correction are attempted. Recovered and/or corrected data (if any) is transferred with CHECK CONDITION status and RECOVERED ERROR Sense Key set at the end of the transfer.</p> <p><b>no err</b> The transfer length is exhausted.</p> <p><b>soft err</b> The transfer stops on the first soft error detected. The information in the sense data shall contain the LBA of the block in error.</p> <p><b>hard err</b> Data transfer stops on the unrecoverable error. The unrecoverable error block is returned to the initiator. The file then creates the CHECK CONDITION status with the appropriate Sense Key.</p>
1	1	1	0	<p>The highest level error is reported at the end of transfer. Retries are attempted but ECC is not applied. Recovered data is transferred with CHECK CONDITION status and RECOVERED ERROR Sense Key set at the end of the transfer.</p> <p><b>no err</b> The transfer length is exhausted.</p> <p><b>soft err</b> The transfer stops on the first soft error detected. The recovered error block is returned to the initiator. The information in the sense data shall contain the logical block address of the block in error.</p> <p><b>hard err</b> Data transfer stops on the unrecoverable error. The file then creates the CHECK CONDITION status with the appropriate Sense Key.</p>
1	1	1	1	<p>The highest level error is reported at the end of transfer. Retries are attempted but ECC is not applied. Recovered and/or corrected data (if any) is transferred with CHECK CONDITION status and RECOVERED ERROR Sense Key set at the end of the transfer.</p> <p><b>no err</b> The transfer length is exhausted.</p> <p><b>soft err</b> The transfer stops on the first soft error detected. The information in the sense data shall contain the logical block address of the block in error.</p> <p><b>hard err</b> Data transfer stops on the unrecoverable error. The unrecoverable error block is returned to the initiator. The file then creates the CHECK CONDITION status with the appropriate Sense Key.</p>



## 7.9.5 Page 2 (Disconnect/Reconnect Parameters)

		BIT								Default
		7	6	5	4	3	2	1	0	
BYTE 0	PS	RSVD=0	Page Code = 02h							82h
BYTE 1	Page Length = 0Eh									0Eh
BYTE 2	Read Buffer Full Ratio									00h
BYTE 3	Write Buffer Empty Ratio									00h
BYTE 4 - 5	(MSB)	Bus Inactivity Limit = 0						(LSB)	00h 00h	
BYTE 6 - 7	(MSB)	Disconnect Time Limit = 0						(LSB)	00h 00h	
BYTE 8 - 9	(MSB)	Connect Time Limit = 0						(LSB)	00h 00h	
BYTE 10 - 11	(MSB)	Maximum Burst Size						(LSB)	00h 00h	
BYTE 12	Reserved = 0				DIMM	RSVD	DTDC			00h
BYTE 13 - 14	Reserved = 0									All 00h

Figure 78. Page 2

The disconnect / reconnect page provides the initiator the means to tune the performance of the SCSI bus.

An initiator may use the IDENTIFY message to grant the file the general privilege of disconnecting. (Disconnect requests may still be selectively rejected by the initiator by issuing a MESSAGE REJECT).

The file uses the disconnect/reconnect parameters to control reconnection during READ ( operation code 08h and 28h) and WRITE ( 0Ah , 2Ah and 2E).

- **Read Buffer Full Ratio** is the numerator of a fraction whose denominator is 256. The fraction indicates how full the file data buffer should be before attempting to reconnect to the SCSI bus. If the ratio is set to 0h, the target will calculate and use an optimal ratio based on the negotiated transfer rate.
- **Write Buffer Empty Ratio** is the numerator of a fraction whose denominator is 256. The fraction indicates how empty the file data buffer should be before attempting to reconnect to the SCSI bus. If the ratio is set to 0h, the target will calculate and use an optimal ratio based on the negotiated transfer rate.
- **Maximum Burst Size** is the maximum amount of data that the Target transfers during a data phase before disconnecting if the Initiator has granted the disconnect privilege. This value is expressed in increments of 512 bytes (e.g. a value of 0001h means 512 bytes, 0002h means 1024 bytes, etc.). Disconnections attempted by the Target are on block boundaries only. For the case when (Maximum Burst Size x 512) is less than the Block Length, the Target will transfer 1 block of data before attempting to disconnect. Value of 0000h indicates there is no limit on the amount of data transferred per connection. Regardless of the value in Maximum Burst Size, the Target disconnects prior to completion of the data

phase if the internal data buffer segment becomes empty during a Read command or full during a Write command.

- **DIMM** (Disconnect Immediate) bit allows the Initiator to control whether the Target is required to disconnect following the receipt of a command and prior to starting a data phase. When the DIMM is set to 1, the Target disconnects from the SCSI Bus following the receipt of a command and prior to starting a Data In or Data Out phase.

**Note:** Priority commands do not disconnect from the SCSI bus.

For Write (6), Write (10), Write and Verify, and Write Same commands (opcodes 0Ah, 2Ah, 2Eh, 41h), DIMM set to 0 indicates that the Target is not allowed to disconnect from the SCSI bus after receiving the command and prior to starting the Data Out phase unless the write command must be queued. The Target remains connected to the SCSI bus until the Data Out phase is started. After the Data Out phase is started, the Target may disconnect to free the SCSI bus for use by other devices.

For Read (6) and Read (10) commands, DIMM set to 0 prevents the Target from disconnecting from the SCSI Bus until it has determined that the requested data is not available in the data buffer. If the data is available, the Target will not disconnect prior to starting the data transfer unless the read command must be queued. If the data is not available, the Target disconnects until enough data has been read from the disk to satisfy the reconnection criteria as determined by the Read Buffer Full Ratio.

All other commands with DIMM set to 0 may or may not disconnect before a data phase is started.

**Note:** Disconnection is based on the Target's internal control algorithms, the setting of the disconnect privilege bit in the previous Identify message, and other parameters in this mode page.

- **DTDC** (Data Transfer Disconnect Control) field defines further restrictions on when a disconnect is permitted.
  - A value of 00b indicates that DTDC is not used by the Target and the disconnect is controlled by the other fields in this page.
  - A value of 01b indicates that the target shall not attempt to disconnect once the data transfer of a command has started until all data the command is to transfer has been transferred. The connect time limit and bus inactivity limit are ignored during the data transfer.
  - The value 10b is reserved.
  - A value of 11b indicates that the target shall not attempt to disconnect once the data transfer of a command has started until the command is complete. The connect time limit and bus inactivity limit are ignored once data transfer has started.

**Note:** If DTDC is nonzero and the maximum burst size is nonzero, a CHECK CONDITION status be returned. The sense key shall be set to ILLEGAL REQUEST and the additional sense code set to ILLEGAL FIELD IN PARAMETER LIST.

Both the Read Buffer Full Ratio and the Write Buffer Empty Ratio pertain to the current active notch. For each active notch, as defined in page 0Ch, there are separate Read Buffer Full Ratios and Write Buffer Empty Ratios. When the active notch is zero, the values are applied across all notches.

## 7.9.6 Page 3 (Format Device Parameters)

		BIT							
		7	6	5	4	3	2	1	0
BYTE 0	PS = 0	RSVD=0	Page Code = 03h						
BYTE 1	Page Length = 16h								
BYTE 2	(MSB)	Tracks per Zone							(LSB)
BYTE 3									
BYTE 4	(MSB)	Alternate Sectors per Zone = 0							(LSB)
BYTE 5									
BYTE 6	(MSB)	Alternate Tracks per Zone = 0							(LSB)
BYTE 7									
BYTE 8	(MSB)	Alternate Tracks per Logical Unit = 0							(LSB)
BYTE 9									
BYTE 10	(MSB)	Sectors per Track							(LSB)
BYTE 11									
BYTE 12	(MSB)	Data Bytes per Physical Sector							(LSB)
BYTE 13									
BYTE 14	(MSB)	Interleave = 1							(LSB)
BYTE 15									
BYTE 16	(MSB)	Track Skew Factor							(LSB)
BYTE 17									
BYTE 18	(MSB)	Cylinder Skew Factor							(LSB)
BYTE 19									
BYTE 20	SSEC	HSEC	RMB	SURF	RESERVED				
BYTE 21-23	RESERVED								

Figure 79. Page 3

The format device page contains parameters which specify the medium format. This page contains no changeable parameters.

**Tracks per Zone** specifies the number of tracks within the zone. This field is a function of the active notch.

A value of 0 in the following parameters indicate that those are Target specific.

- Alternate Sectors per Zone
- Alternate Tracks per Zone
- Alternate Tracks per Logical Unit

**Sectors per Track** specifies the number of physical sectors within each track. This field is a function of the active notch.

**Data Bytes per Physical Sector** specifies the number of user data bytes per physical sector. The value depends upon the current formatted Block Length.

**Track Skew Factor** indicates the number of physical sectors between the last block of one track and the first block on the next sequential track of the same cylinder. This field is a function of the active notch.

**Cylinder Skew Factor** indicates the number of physical sectors between the last block of one cylinder and the first block on the next sequential cylinder. This field is a function of the active notch.

**SSEC** = Zero indicates that the file does not support soft sector formatting.

**HSEC** = One indicates that the file supports hard sector formatting.

**RMB** = Zero indicates that the media does not support removable. Fixed Disk.

**SURF** = Zero indicates that progressive address are assigned to all logical blocks a cylinder prior to allocating address within the next cylinder.

## 7.9.7 Page 4 (Rigid Disk Drive Geometry Parameters)

		BIT							
		7	6	5	4	3	2	1	0
BYTE 0	RSVD = 0	Page Code = 04h							
BYTE 1	Page Length = 16h								
BYTE 2	(MSB)	Number of Cylinders							
BYTE 4	(LSB)								
BYTE 5	Number of Heads								
BYTE 6	(MSB)	Starting Cylinder-Write Precompensation = 0							
BYTE 8	(LSB)								
BYTE 9	(MSB)	Starting Cylinder-Reduced Write Current = 0							
BYTE 11	(LSB)								
BYTE 12	(MSB)	Drive Step Rate (Not used)							
BYTE 13	(LSB)								
BYTE 14	(MSB)	Landing Zone Cylinder (Not used)							
BYTE 16	(LSB)								
BYTE 17	RESERVED							RPL = 0	
BYTE 18	Rotational Offset = 00 (Not used)								
BYTE 19	RESERVED								
BYTE 20	(MSB)	Medium Rotation Rate = 7200							
BYTE 21	(LSB)								
BYTE 22	RESERVED								
BYTE 23									

Figure 80. Page 4

The rigid disk drive geometric page specifies various parameters for the file.

**RPL** Zero. Indicates that the file does not support spindle synchronization.

## 7.9.8 Page 7 (Verify Error Recovery Parameters)

		BIT									
		7	6	5	4	3	2	1	0	Default	
BYTE 0	PS	RSVD=0	Page Code = 07h								87h
BYTE 1	Page Length = 0Ah									0Ah	
BYTE 2	Reserved = 0				EER=0	PER	DTE=0	DCR	00h		
BYTE 3	Verify Retry Count									01h	
BYTE 4	Correction Span = 00h									00h	
BYTE 5	Reserved = 0									00h	
BYTE 6	Reserved = 0									00h	
BYTE 7	Reserved = 0									00h	
BYTE 8	Reserved = 0									00h	
BYTE 9	Reserved = 0									00h	
BYTE 10	(MSB)	Verify Recovery Time Limit (Not Used)								00h	
BYTE 11	(LSB)									00h	

Figure 81. Page 7

The Verify recovery parameters are used by the Target when recovering from and reporting errors associated with the verification of the initiator's Data for the following commands:

- Verify
- Write and Verify - the verify portion of the command only.

Since bytes 4-11 are not changeable, the Mode Select Commands accepts only the values indicated for bytes 4 - 11.

- **EER**, This bit is 0 since the Target does not support early recovery.
- **PER**, See below for description of bit values.
- **DTE**, This bit is 0 since the Target always continues on recovered verify operation errors.
- **DCR**, See below for description of bit values.

PER, DTE, and DCR bit settings in page 7 override those of page 1 during Verify and the Verify portion of Write and Verify. There are only four valid conditions for the PER, DTE, and DCR bits. All other combinations return Check Condition Status.

PER	DTE	DCR	DESCRIPTION
0	0	0	Soft errors are not reported. ECC is applied to recover the data.

- 1 0 0 Soft errors are reported. ECC is applied to recover the data.
- 0 0 1 Soft errors are not reported. ECC is not used to recover the data.
- 1 0 1 Soft errors are reported. ECC is not used to recover the data.

- **Verify Retry Count** sets a limit on the amount of verify recovery procedure(VRP) passes the Target attempts when recovering verify errors. The Verify Retry Count of one causes the Target to attempt up to one VRP pass per command when a medium error occurs during a verify operation. Only values of 0h and 01h are valid. The value of 0h disables all recovery.
- **Verify Correction Span** field specifies the size, in bits, of the largest data error burst for which data error correction may be attempted. The field may be set to any value but the file will not use offline correction during verify operations.

## 7.9.9 Page 8 (Caching Parameters)

		BIT								Default
		7	6	5	4	3	2	1	0	
BYTE 0	PS	RSVD=0	Page Code = 08h							88h
BYTE 1	Page Length = 12h									12h
BYTE 2	IC	ABPF	CAP	DISC	SIZE	WCE	MF	RCD	04h	
BYTE 3	Demand Read Retention Priority			Write Retention Priority						00h 00h
BYTE 4-5	Disable Pre-fetch Transfer Length									FFh FFh
BYTE 6-7	Minimum Pre-fetch									00h 00h
BYTE 8-9	Maximum Pre-fetch									FFh FFh
BYTE 10-11	Maximum Pre-fetch Ceiling									FFh FFh
BYTE 12	FSW	LBCSS	DRA	Reserved = 0						00h
BYTE 13	Number of Cache Segments									07h
BYTE 14 - 15	(MSB)	Cache Segment Size							(LSB)	00h 00h
BYTE 16	Reserved = 0									00h
BYTE 17 18,19	(MSB)	Non Cache Segment Size							(LSB)	000000h

Figure 82. Page 8

The caching parameters page defines parameters that affect the use of the cache.

- **IC** (Initiator Control) is internally ignored by the Target. The Target will always use the Number of Cache Segments or Cache Segment Size fields.
- **ABPF** (Abort Pre-Fetch) is not supported. The Target aborts the pre-fetch based on the internal algorithm.
- **CAP** (Caching Analysis Permitted) is not supported and internally ignored by the Target.
- **DISC** (Discontinuity) is not supported and internally ignored by the Target.
- **SIZE** (Size Enable) bit, when set to one, indicates that the Cache Segment Size is to be used to control caching segmentation. When SIZE equals zero, the initiator requests that the Number of Cache Segments is to be used to control caching segmentation.



- **WCE**, Write Cache Enable bit, is set to zero to indicate that the drive must issue Good Status for Write(6) or Write extend(10) command only after successfully writing the data to the media. A WCE bit of one indicates that the drive may issue Good Status for a Write(6) or Write extend(10) command after successfully receiving the data but before writing it to the media.

**Note:** When WCE = 1, a Synchronize Cache command must be done to assume data is written to the media before powering down the Target.

- **MF**, Multiplication Factor determines how the Maximum Pre-fetch field is interpreted. When this bit is set the data to pre-fetch is given by the command length multiplied by the value in the Maximum Pre-fetch field. When this bit is reset the value in the Maximum pre-fetch field is used as the absolute length to pre-fetch.
- **RCD**, Read Cache Disable bit, bit of 0 indicates that the Target may return some or all of the data requested by a Read (6) or Read (10) command by accessing the data buffer, not the media. An RCD bit of 1 indicates that the Target does not return any of the data requested by a Read (6) or Read (10) command by accessing the data buffer. Rather, all of the data requested is read from the media.
- **Demand Read Retention Priority** sets the Retention Priority of data requested on a Read Command. It may be set to 0h, 1h, or Fh as defined below.

Value 0h : Do not distinguish between Requested Data and Other Data.

Value 1h : Replace Requested Data before Other Data.

Value Fh : Replace Other Data before Requested Data.

There the Value is the Demand Read Retention Priority or Write Retention Priority. Requested Data is the blocks specified in the Read or Write Command. Other Data is data in the cache from any other operation such as Pre-fetch, Read-Ahead, etc.

If the Read Retention Priority is not set to Fh or if the DPO bit on the Read command is 1, the Requested data is overwritten by Read-Ahead data.

If the DPO bit is 0 and the Read Retention Priority is set to Fh, the Requested Data is not overwritten with Read-Ahead Data. If the requested transfer is larger than the segment, the Requested Data is overwritten with more Requested Data and there is no Read-Ahead.

- **Write Retention Priority** sets the Retention Priority of data provided on a Write Command. It may be set to 0h, 1h, or Fh. See definition of Demand Read Retention Priority above for more details.
- **Disable Pre-fetch Transfer Length** specifies a number of LBA's which if a read command length exceeds will cause the drive not to perform read ahead buffering after the command has completed. A value of zero specifies read ahead is disabled.
- **Minimum Pre-fetch** specifies the minimum number of LBA's that the drive should read ahead after each read command. A value of zero indicates that read ahead should be terminated immediately a new command arrives, except in the case when the new command is on the current head and track.
- **Maximum Pre-fetch** specifies the maximum number of LBA's to read ahead after a read command. This field can either be used as an absolute value, if the MF bit is 0, or else it will be multiplied by the read command length to give the actual length to read ahead.
- **Maximum Pre-fetch ceiling** specifies the maximum number of blocks the drive should attempt to read ahead. It is particularly relevant when the MF bit is set.
- **FSW** (Force Sequential Write) is not supported and internally ignored by the Target.
- **LBCSS** (Logical Block Cache Segment Size) bit when set to one, indicates that the Cache Segment Size field units shall be interpreted as logical blocks. When the LBCSS bit equals zero the Cache Segment Size field units shall be interpreted as bytes.
- **DRA** (Disable Read-Ahead) bit, when set to one, requests that the target not read into the buffer any logical block beyond the addressed logical block(s). When the DRA bit equals zero, the target may continue to read logical blocks into the buffer beyond the addressed logical block(s).

- **Number of Cache Segments** field is used to select the number of data buffer cache segments. This parameter is valid only when the **SIZE** bit is zero. It is ignored when **SIZE** is a one.

The target supports following Cache Segment configuration:

<b>Number of Seg-ments</b>	<b>Segment Size</b>
3	512K
7	256K
14	128K

- **Cache Segment Size** field indicates the requested segment size in Bytes or Blocks, depending upon the value of the **LBCSS** bit. The **Cache Segment Size** field is valid only when the **SIZE** bit is one. It is ignored when **SIZE** is a zero. The drive considers this a minimum size. It may be rounded up in order to make best use of available cache space.
- **Non Cache Segment Size** fields are internally ignored by the Target.

## 7.9.10 Page A (Control Mode Page Parameters)

		BIT								Default	
		7	6	5	4	3	2	1	0		
BYTE	0	PS	RSVD=0	Page Code = 0Ah							8Ah
BYTE	1	Page Length = 0Ah								0Ah	
BYTE	2	Reserved = 0						RLEC = 0		00h	
BYTE	3	Queue Algorithm Modifier			RESERVED = 0		QErr	DQue		00h	
BYTE	4	EECA = 0	Reserved = 0			RAENP = 0	UAAENP = 0	EAENP = 0		00h	
BYTE	5	Reserved = 0								00h	
BYTE	6 - 7	(MSB)	Ready AEN Holdoff Period					(LSB)		00h 00h	
BYTE	8 - 9	(MSB)	Busy Timeout Period					(LSB)		00h 00h	
BYTE	10 - 11	Reserved = 0						(LSB)		00h 00h	

Figure 83. Page A

Following are parameter options for Page 0A of MODE SELECT.

- Queue algorithm modifier** specifies restrictions on the algorithm used for re-ordering commands that are tagged with the SIMPLE QUEUE TAG message.
  - 0h : Restricted re-ordering. The target shall re-order the actual execution sequence of the queued commands from each initiator such that data integrity is maintained for that initiator.
  - 1h : Un-restricted re-ordering allowed. The target may re-order the actual execution sequence of the queued commands in any manner it selects. Any data integrity exposures related to command sequence order are explicitly handled by the initiator through the selection of appropriate commands and queue tag messages.
  - 2h-7h : RESERVED.
  - 8 : Command re-ordering is disabled
  - 9-Fh : RESERVED
- QErr** (Queue Error Management) bit of zero specifies that the Target suspends execution of queued and active commands from any Initiator which receives a Check Condition Status until pending sense data is cleared. Those commands still queued after the Target has returned Check Condition Status, continue execution in a normal manner when the pending status is cleared. A QErr bit of one specifies that all active commands and all queued commands from all initiators are aborted when the Target returns the Check Condition Status. A unit attention condition will be generated for each initiator which had commands in the queue except the initiator that received the Check Condition Status. The sense key will be set to Unit Attention and the additional sense code will be set to COMMANDS CLEARED BY ANOTHER INITIATOR.

- **DQue**, Disable Queuing, bit of zero specifies that tagged queuing shall be enabled if the target supports tagged queuing. A DQue bit of one specifies that tagged queuing shall be disabled. Any queue commands for that I\_T\_L nexus shall be aborted. Any subsequent queue tag message received shall be rejected with a MESSAGE REJECT message and I/O process shall be executed as an untagged command.
- **Ready AEN Holdoff Period** is ignored internally by the Target.
- **Busy Timeout Period** is ignored internally by the Target.

## 7.9.11 Page 0C (Notch Parameters)

		BIT							
		7	6	5	4	3	2	1	0
BYTE 0	PS	RSVD=0	Page Code = 0Ch						
BYTE 1	Page Length = 16h								
BYTE 2	ND = 1	LPN = 0	RSVD = 0						
BYTE 3	Reserved = 0								
BYTE 4	(MSB)	Maximum Number of Notches = 0Bh							
BYTE 5									(LSB)
BYTE 6	(MSB)	Active Notch							
BYTE 7									(LSB)
BYTE 8	(MSB)	Starting Boundary							
BYTE 11									(LSB)
BYTE 12	(MSB)	Ending Boundary							
BYTE 15									(LSB)
BYTE 16	(MSB)	Pages Notched =							
BYTE 23									(LSB)
									000000000000100Ch

Figure 84. Page 0C

The notch page contains parameters for direct-access devices which implement a variable number of blocks per cylinder. Each section of the logical unit with a different number of blocks per cylinder is referred as a notch. The only field that is changeable is the **Active Notch** field.

**ND** = ONE meaning that this device is a notched drive.

**LPN** = ZERO meaning that the notches are based upon physical parameters of the drive (cylinder#), not logical parameters.

**Maximum Number of Notches** is the number of notches the drive can support.

**Active Notch** indicates which notch subsequent Mode Select/Sense command parameters pertain to. A value of 0 is used for parameter values which apply to all notches. Values from 1 to the maximum value depending on the model specify the notch number, where notch 1 is the outer most notch.

Following mode parameters are based on the current active notch:

- Page 2
  - Read Buffer Full Ratio

- Write Buffer Empty Ratio
- Page 3
  - Alternate Sector per Zone
  - Alternate Track per Zone
  - Alternate Track per Logical Unit
  - Sector per Track
  - Track Skew Factor
  - Cylinder Skew Factor

**Starting Boundary** contains the first physical location of the active notch. The first three bytes are the cylinder number and the last byte is the head. The value sent in this field is ignored.

**Ending Boundary** contains the last physical location of the active notch. The first three bytes are the cylinder number and the last byte is the head. The value sent in this field is ignored.

**Pages Notched** is a bit map of the mode page codes that indicates which pages contain parameters that may be different for different notches. The most significant bit of this field corresponds to page code 3Fh and the least significant bit corresponds to page code 00h. If a bit is one, then the corresponding mode page contains parameters that may be different for different notches. If a bit is zero, then the corresponding mode page contains parameters that are constant for all notches.

## 7.9.12 Page 1A (Power Control)

		BIT								Default	
		7	6	5	4	3	2	1	0		
BYTE	0	PS	RSVD	Page Code = 01Ah							9Ah
BYTE	1	Page Length = 0Ah								0Ah	
BYTE	2	Reserved = 0								00h	
BYTE	3	Reserved = 0					Idle	Standby	00h		
BYTE	4	(MSB)	Idle Condition Timer = 0						(LSB)	00h	
	7									00h	
BYTE	8	(MSB)	Standby Condition Timer						(LSB)	00h	
	11									00h	

Figure 85. Page 1A

- **Idle** bit must be set to 0.
- **Standby** bit of one indicates that the target shall use the Standby Condition Timer to determine the length of inactivity time to wait before entering the Standby condition. A standby bit of zero indicates that the target shall not enter the Standby condition.
- **Idle Condition Timer** must be 00000000h.
- **Standby Condition Timer** field indicates the inactivity time in 100 millisecond increments that the target shall wait before entering the Standby condition.

### 7.9.13 Page 1C (Informational Exceptions Control)

		BIT									
		7	6	5	4	3	2	1	0	Default	
BYTE 0	PS	RSVD=0	Page Code = 1Ch								9Ch
BYTE 1	Page Length = 0Ah									0Ah	
BYTE 2	PERF	Reserved = 0	EWASC	DEXCPT	TEST	RSVD	LOGERR			00h	
BYTE 3	Reserved = 0			Method of Reporting						00h	
BYTE 4	(MSB)									00h	
BYTE 5	Interval Timer									00h	
BYTE 6										00h	
BYTE 7										(LSB)	
BYTE 8	(MSB)									00h	
BYTE 9	Report Count									00h	
BYTE 10										00h	
BYTE 11										(LSB)	

Figure 86. Page 1C

- **LOGERR** (Log Errors) is not used and ignored internally by the Target.
- **EWASC** (Enable Warning ASC) bit of zero indicates that Temperature Warning will not be reported. An EWASC bit of 1 allows Temperature Warning to be reported when DEXCPT bit is set to zero. If the temperature reading inside of DE exceeds the threshold (default or set by Mode Select Page 0), Recovered Error (Sense Key 01h, ASC 0Bh, ASCQ 01h) will be reported.  
DEXCPT bit of zero indicates that informational exception operations shall be enabled. The reporting of informational exception conditions when the DEXCPT bit is set to zero is determined from the method of reporting informational exceptions field.  
**Note:** Disable exception control (DEXCPT) bit of zero indicates the failure prediction threshold exceeded reporting shall be enabled. The method for reporting the failure prediction threshold exceeded when the DEXCPT bit is set to zero is determined from the method of reporting informational exceptions field. A DEXCPT bit of one indicates the target shall disable reporting of the failure prediction threshold exceeded. The method of reporting informational exceptions field is ignored when DEXCPT is set to one and EWASC is set to zero.
- **DEXCPT** (Disable Exception Control) bit of zero indicates information exception operations is enabled. The reporting of information exception conditions when the DEXCPT bit is set to zero is determined from the Method of Reporting field. A DEXCPT bit of one indicates the Target disable all information exception operations including the file idle time function which saves the log select counters. If this bit is set these counters are not written to disk and so will be lost at the next power cycle.



- **TEST** bit of one instructs the drive to generate false drive notifications at the next interval time, (as determined by the INTERVAL TIMER field), if the DEXCPT is zero. The Method of Reporting and Report Count would apply. The false drive failure is reported as sense qualifier 5DFFh. The TEST bit of zero instructs the drive to stop generating any false drive notifications.
- **PERF** (Performance) bit is not used and ignored internally by the Target.
- **Method of Reporting Informational Exceptions** indicates the methods used by the Target to report informational exception conditions.

**Code Description**

- 0h No reporting of informational exception condition:** This method instructs the target to not report informational exception condition.
- 1h Asynchronous event reporting:** Not supported.
- 2h Generate unit attention:** This method instructs the target to report informational exception conditions by returning a CHECK CONDITION status on any command. The sense key is set to UNIT ATTENTION and the additional sense code indicates the cause of the informational exception condition. The command that has the CHECK CONDITION is not executed before the informational exception condition is reported.
- 3h Conditionally generate recovered error:** This method instructs the target to report informational exception conditions, dependent on the value of the PER bit of the error recovery parameters mode page, by returning a CHECK CONDITION status on any command. The sense key is set to RECOVERED ERROR and the additional sense code indicates the cause of the informational exception condition. The command that has the CHECK CONDITION completes without error before any informational exception condition is reported.
- 4h Unconditionally generate recovered error:** This method instructs the target to report informational exception conditions, regardless of the value of the PER bit of the error recovery parameters mode page, by returning a CHECK CONDITION status on any command. The sense key is set to RECOVERED ERROR and the additional sense code indicates the cause of the informational exception condition. The command that has the CHECK CONDITION completes without error before any informational exception condition is reported.
- 5h Generate no sense:** This method instructs the target to report informational exception conditions by returning a CHECK CONDITION status on any command. The sense key is set to NO SENSE and the additional sense code indicates the cause of the informational exception condition. The command that has the CHECK CONDITION completes without error before any informational exception condition is reported.
- 6h Only report informational exception condition on request:** This method instructs the target to preserve the informational exception(s) information. To find out about information exception conditions the Application Client polls the target by issuing an unsolicited REQUEST SENSE command. The sense key is set to NO SENSE and the additional sense code indicates the cause of the informational exception condition.

**7h-Fh** Reserved.

- **Interval Timer** field indicates the period in 100 millisecond increments for reporting that an informational exception condition has occurred. The target shall not report informational exception conditions more frequently than the time specified by the Interval Timer field and as soon as possible after the time interval has elapsed. After the informational exception condition has been reported the interval timer is restarted. A value of zero in the Interval Timer field indicated that the target only reports the informational exception condition one time.
- **Report Count** field indicates the number of times the target reports an informational exception condition . The Report Count of ZERO indicates no limits on the number of times the target reports an informational exception condition.

**Note:** For reason of the Informational Exceptions, refer to 7.8.7, “Log Sense Page 2F” on page 87.

## 7.10 MODE SENSE (5A)

Byte	Bit							
	7	6	5	4	3	2	1	0
0	Command Code = 5Ah							
1	LUN		RSVD	DBD	Reserved = 0			
2	PCF	Page Code						
3	Reserved = 0							
4	Reserved = 0							
5	Reserved = 0							
6	Reserved = 0							
7	Allocation Length							
8								
9	VU = 0	Reserved = 0				FLAG	LINK	

Figure 87. MODE SENSE (5A)

The MODE SENSE (5A) command provides a means for the file to report various device parameters to the initiator. See the MODE SENSE (1A) command for a description of the fields in this command.

## 7.11 MODE SELECT (15)

Byte	Bit							
	7	6	5	4	3	2	1	0
0	Command Code = 15h							
1	LUN			PF = 1	Reserved = 0			SP
2 3	Reserved = 0							
4	Parameter List Length							
5	VU = 0	Reserved = 0				FLAG	LINK	

Figure 88. MODE SELECT (15)

The MODE SELECT (15) command provides a means for the initiator to specify LUN or device parameters to the Target. It also allows an Initiator to specify options the Target uses in error recovery and Caching.

There is a single set of Mode Page parameters shared by all initiators.

**PF** A PF (Page Format) bit value of 1 indicates the data sent by the Initiator after the Mode Select Header and the Block Descriptor, if any, complies to the Page Format. The Target ignores this field since it only accepts mode parameters in the Page Format.

**SP** Save Pages. This indicates;

- 0 The drive shall not save the pages sent during the Data Out phase but will use them for all following commands until the power is removed, a reset is received or a new mode select command is received.
- 1 The drive will save the data in the reserved area of the disk. It will be used for all following commands until another mode select command is issued, this information is maintained over a power cycle or reset of the file.

### Parameter List Length

This specifies the number of bytes to be sent from the initiator. A parameter list length of zero suppresses data transfer and is not considered as an error.

The MODE SELECT parameter list contains a four-byte header, followed by zero or one block descriptor followed by zero or more pages. The pages which are valid with this command are defined in the addendum under the heading **Mode Select Data**. as they vary with the file model.

### 7.11.1.1 Application Note

The initiator should issue a MODE SENSE command requesting all Changeable values (see PCF field in byte two of the CDB in 7.9, “MODE SENSE (1A)” on page 89) prior to issuing a MODE SELECT command. This is necessary to find out which pages are implemented by the file and the length of those pages. The file will return, in the Pages of the MODE SENSE command, the number of bytes supported for each Page. The Page Length set by the initiator in the MODE SELECT command must be the exact value as that returned by the file in MODE SENSE Page Length. If this is not true, the file will return

CHECK CONDITION status with sense key of ILLEGAL REQUEST. See 7.9, “MODE SENSE (1A)” on page 89.

**Note:** If an initiator sends a MODE SELECT command that changes any parameters that apply to other initiators, the file shall generate an unit attention condition for all initiators except the one that issued the MODE SELECT command. The file shall set the additional sense code to PARAMETERS CHANGED (2Ah).

## 7.12 MODE SELECT (55)

Byte	Bit							
	7	6	5	4	3	2	1	0
0	Command Code = 55h							
1	LUN			PF = 1	Reserved = 0			SP
2	Reserved = 0							
3								
4								
5								
6								
7	(MSB)	Parameter List Length						(LSB)
8								
9	VU = 0		Reserved = 0			FLAG	LINK	

Figure 89. MODE SELECT (55)

The MODE SELECT (55) command provides a means for the initiator to specify LUN or device parameters to the Target. See the MODE SELECT (15) command for a description of the fields in this command.

## 7.13 PRE-FETCH (34)

Byte	Bit							
	7	6	5	4	3	2	1	0
0	Command Code = 34h							
1	LUN			Reserved = 0			Immed = 0	RelAdr = 0
2 3 4 5	(MSB) Logical Block Address							(LSB)
6	Reserved = 0							
7 8	(MSB) Transfer Length							(LSB)
9	VU = 0	Reserved = 0				FLAG	LINK	

Figure 90. Pre-Fetch (34)

The PRE-FETCH command requests the file to transfer data to the cache. No data is transferred to the initiator.

**Transfer length** The transfer length field specifies the number of contiguous blocks of data that are to be transferred into the cache. A transfer length of zero indicates that blocks are to be transferred into the cache until the segment is filled or there are no more blocks on the media.

**Immed** (Immediate) must be zero. An immediate bit of zero indicates that the status shall not be returned until the operation has completed.

If the Immed bit is set to one, the drive returns a Check Condition status. The sense key shall be set to Illegal Request and the additional sense code shall be set to Invalid Field in CDB.

**RelAdr** Relative Block Address is not supported. Must be set to zero.

---

## 7.14 READ (08)

---

Byte	Bit							
	7	6	5	4	3	2	1	0
0	Command Code = 08h							
1	LUN			(MSB)		LBA		
2	Logical Block Address (LSB)							
3								
4	Transfer Length							
5	VU = 0		Reserved = 0			FLAG	LINK	

---

Figure 91. READ (08)

The READ command requests the file to transfer the specified number of blocks of data to the initiator starting at the specified logical block address.

**Logical block address** This field specifies the logical unit at which the read operation shall begin.

**Transfer length** This field specifies the number of blocks to be transferred. A value of zero implies 256 blocks are to be transferred.

**Note:** Errors are handled by ERP(error recovery procedure). ERPs are controlled by the error recovery parameters specified by MODE SELECT command.

## 7.15 READ CAPACITY (25)

Byte	Bit							
	7	6	5	4	3	2	1	0
0	Command Code = 25h							
1	LUN			Reserved = 0				RelAdr = 0
2 3 4 5	(MSB)	Logical Block Address						(LSB)
6 7	Reserved = 0							
8	Reserved = 0							PMI
9	VU = 0	Reserved = 0				FLAG	LINK	

Figure 92. READ CAPACITY (25)

The READ CAPACITY command returns information regarding the capacity of the file.

- **Logical Block Address** is used in conjunction with the PMI bit.
- **RelAdr.** A Relative Address is not supported. Must be set to zero.
- **PMI**, Partial Medium Indicator indicates;

PMI	Description
0	The drive returns the last logical block address of the file.
1	The drive returns the last logical block address and block length in bytes are that of the logical block address after which a substantial delay in data transfer will be encountered. This returned logical block address shall be greater than or equal to the logical block address specified by the RelAdr and logical block address fields in the command descriptor block. This option provides the information the initiator needs to determine the amount of space available on the same track which is accessible without a head switch or seek.

### 7.15.1.1 Returned Data Format

The data returned to the initiator in response to the READ CAPACITY command is described here. The data is returned in the DATA IN phase.



---

	BIT								
	7	6	5	4	3	2	1	0	
BYTE 0	(MSB)								
BYTE 1	Logical Block Address								
BYTE 2									
BYTE 3									(LSB)
BYTE 4									(MSB)
BYTE 5	Block Length								
BYTE 6									
BYTE 7									(LSB)

---

Figure 93. Format of READ CAPACITY command reply

- **Block Length** specifies the length in bytes of the block.

## 7.16 READ DEFECT DATA (37)

Byte	Bit							
	7	6	5	4	3	2	1	0
0	Command Code = 37h							
1	LUN			Reserved = 0				0
2	Reserved = 0			Plist	Glist	Defect List Format		
3	Reserved = 0							
4								
5								
6								
7	(MSB)	Allocation Length						(LSB)
8								
9	VU = 0	Reserved = 0				FLAG	LINK	

Figure 94. Read Defect Data (37)

The READ DEFECT DATA command requests that the Target transfers the medium defect data to the initiator.

If the target is unable to access any medium defect data it will return a Check Condition status with the appropriate sense key. The sense key will be set to either Medium Error(03h) if a medium error occurred or No Sense(00h) if the list does not exist and the additional sense code will be set to Defect List Error(19h).

**Plist** The Primary Defect List (Plist) bit set to one indicates that the target returns the primary list of defects. A Plist bit of zero indicates that the target shall not return the Primary Defect list of defects.

**Glist** The Grown Defect List (Glist) bit set to one indicates that the target returns the grown defect list. A Glist bit of zero indicates that the target shall not return the Grown Defect list of defects.

**Note:** With both bits set to one Plist and Glist the target will return both the Primary and Grown defect lists. With both bits set to zero, the target will return only a four-byte Defect List Header.

**Defect List format** The Defect List Format Field is used by the initiator to indicate the preferred format for the defect list.

The Defect List Format of '100 (Bytes from Index Format)' and '101 (Physical Sector Format)' are supported. If the requested format is not supported by the file, it will return the defect list in its default format '101' then terminates the command with Check Condition status. The sense key will be set to Recovered Error (01h) and the additional sense code will be set to Defect List Not Found(1Ch).

The file sends defect list (Defect Descriptors) in a four byte ABA (Absolute Block Address) format which follows a four byte Defect List Header.

The target will transfer all of the Read Defect Data up to the number of bytes allocated by the initiator.

**Note:** The file will terminate the Data In phase when the Allocation Length has been transferred or when all available Defect Data has been transferred to the initiator, whichever is less.

The Read Defect Data contains a four byte header, followed by zero or more defect descriptors.

### 7.16.1 Defect List Header

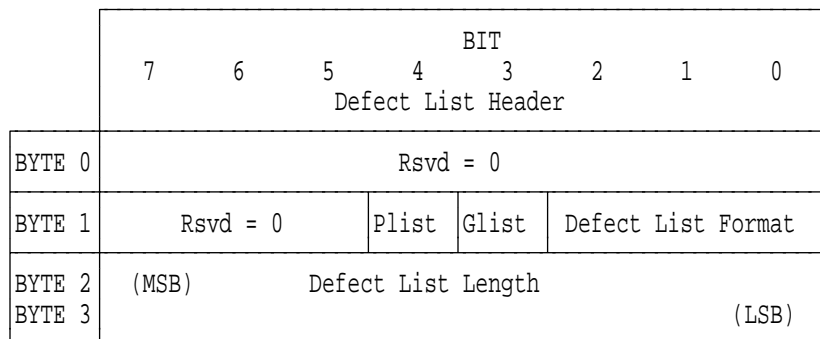


Figure 95. Defect List Header

### 7.16.2 Bytes from Index Format (100b)

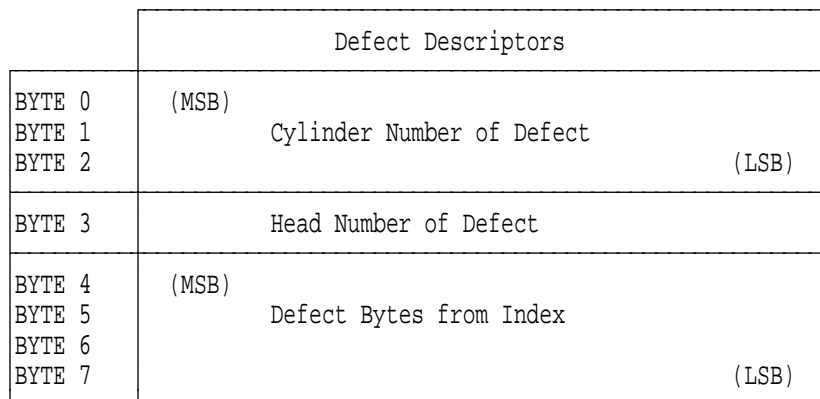


Figure 96. Defect Descriptors of Bytes from Index Format

Defect Bytes from Index is gotten using the following equation:

$$\text{Bytes from Index} = (\text{Physical Sector Number}) * N$$

Where: N = Bytes per sector

### 7.16.3 Physical Sector Format (101b)

---

Defect Descriptors	
BYTE 0	(MSB)
BYTE 1	Cylinder Number of Defect
BYTE 2	(LSB)
BYTE 3	Head Number of Defect
BYTE 4	(MSB)
BYTE 5	Defective Sector Number
BYTE 6	
BYTE 7	(LSB)

---

Figure 97. Defect Descriptors of Physical Sector Format

The defect list format field specifies the format of the defect list data returned by the target.

The Defect List Length field specifies the length in bytes of the defect descriptors that follow. The Defect List Length is equal to eight times the number of defect descriptors.

Normally the Target will set the defect list length field to the amount of space needed to contain the entire defect list. However, the Target is capable of building a defect list with a length such that the entire list cannot be transferred using the maximum allocation length. If the defect list grows beyond 8191 entries the defect data cannot be transferred with an allocation length of 0FFFFh. The Target will transfer a partial defect list and return Check Condition status with the sense key set to Recovered Error and the Additional Sense Code is set to Partial Defect List Transferred. The defect list length will be set to 0FFF8h, indicating the maximum number of defect descriptors which can be transferred. Defects beyond this number can not be read by the initiator.

## 7.17 READ DEFECT DATA (B7)

Byte	Bit							
	7	6	5	4	3	2	1	0
0	Command Code = B7h							
1	Reserved = 0		Plist	Glist	Defect List Format			
2	Reserved = 0							
3								
4								
5								
6 - 9	(MSB)	Allocation Length						(LSB)
10	Reserved = 0							
11	VU = 0	Reserved = 0				FLAG	LINK	

Figure 98. Read Defect Data (B7)

The READ DEFECT DATA command requests that the Target transfers the medium defect data to the initiator.

If the target is unable to access any medium defect data it will return a Check Condition status with the appropriate sense key. The sense key will be set to either Medium Error(03h) if a medium error occurred or No Sense(00h) if the list does not exist and the additional sense code will be set to Defect List Error(19h).

**Plist** The Primary Defect List (Plist) bit set to one indicates that the target returns the primary list of defects. A Plist bit of zero indicates that the target shall not return the Primary Defect list of defects.

**Glist** The Grown Defect List (Glist) bit set to one indicates that the target returns the grown defect list. A Glist bit of zero indicates that the target shall not return the Grown Defect list of defects.

**Note:** With both bits set to one Plist and Glist the target will return both the Primary and Grown defect lists. With both bits set to zero, the target will return only a four-byte Defect List Header.

**Defect List format** The Defect List Format Field is used by the initiator to indicate the preferred format for the defect list.

The Defect List Format of '100 (Bytes from Index Format)' and '101 (Physical Sector Format)' are supported. If the requested format is not supported by the file, it will return the defect list in its default format '101' then terminates the command with Check Condition status. The sense key will be set to Recovered Error (01h) and the additional sense code will be set to Defect List Not Found(1Ch).

The file sends defect list (Defect Descriptors) in a four byte ABA (Absolute Block Address) format which follows a four byte Defect List Header.

The target will transfer all of the Read Defect Data up to the number of bytes allocated by the initiator.

**Note:** The file will terminate the Data In phase when the Allocation Length has been transferred or when all available Defect Data has been transferred to the initiator, whichever is less.

The Read Defect Data contains a four byte header, followed by zero or more defect descriptors.

### 7.17.1 Defect List Header

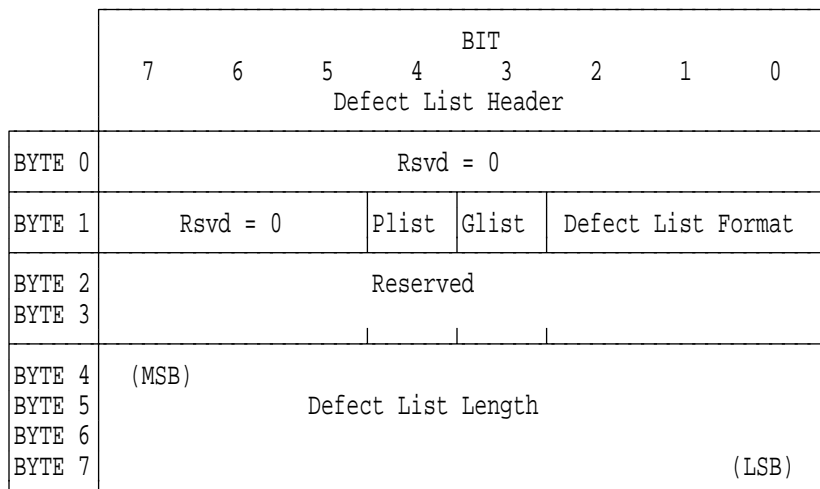


Figure 99. Defect List Header

### 7.17.2 Bytes from Index Format (100b)

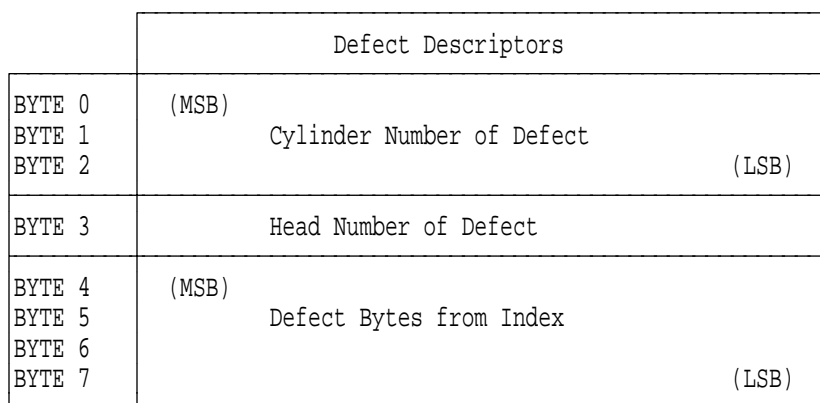


Figure 100. Defect Descriptors of Bytes from Index Format

Defect Bytes from Index is gotten using the following equation:

$$\text{Bytes from Index} = (\text{Physical Sector Number}) * N$$

Where: N = Bytes per sector

### 7.17.3 Physical Sector Format (101b)

---

Defect Descriptors	
BYTE 0	(MSB)
BYTE 1	Cylinder Number of Defect
BYTE 2	(LSB)
BYTE 3	Head Number of Defect
BYTE 4	(MSB)
BYTE 5	Defective Sector Number
BYTE 6	
BYTE 7	(LSB)

---

Figure 101. Defect Descriptors of Physical Sector Format

The defect list format field specifies the format of the defect list data returned by the target.

The Defect List Length field specifies the length in bytes of the defect descriptors that follow. The Defect List Length is equal to eight times the number of defect descriptors.

If the Allocation Length is insufficient to transfer all of the defect descriptors, the Defect List Length will not be adjusted to reflect the truncation. The target will not create a CHECK CONDITION status.

## 7.18 READ EXTENDED (28)

Byte	Bit							
	7	6	5	4	3	2	1	0
0	Command Code = 28h							
1	LUN		DPO	FUA	Reserved = 0		RelAdr = 0	
2	(MSB) Logical Block Address (LSB)							
3								
4								
5								
6	Reserved = 0							
7	(MSB) Transfer Length (LSB)							
8								
9	VU = 0	Reserved = 0				FLAG	LINK	

Figure 102. Read Extended (28)

The READ EXTENDED command requests the file to transfer data to the initiator. The larger Logical Block Address and Transfer Length fields permit greater quantities of data to be requested per command than with the READ command and are required to access the full LBA range of the larger capacity drives.

**Transfer length** The number of contiguous blocks to be transferred. If the transfer length is zero, the seek occurs, but no data is transferred. This condition is not considered an error. If read ahead is enabled, a read ahead is started after the seek completes.

**DPO** A DPO (Disable Page Out) bit of 1 indicates that the data accessed by this command is to be assigned the lowest priority for being written into or retained by the cache. A DPO bit of 1 overrides any retention priority specified in the Mode Select Page 8 Caching Parameters. A DPO bit of 0 indicates the priority is determined by the retention priority. The initiator should set the DPO bit when the blocks read by this command are not likely to be read again in the near future.

**FUA** Force Unit Access. A FUA bit of 1 indicates that the data is read from the media and not from the cache. A FUA bit of 0 allows the data to be read from either the media or the cache.

**RelAdr** Relative Block Address is not supported. Must be set to zero.



## 7.19 READ BUFFER (3C)

Byte	Bit							
	7	6	5	4	3	2	1	0
0	Command Code = 3Ch							
1	LUN			Reserved = 0		Mode		
2	Buffer ID = 0							
3	(MSB) Buffer Offset (LSB)							
4								
5								
6	(MSB) Allocation Length (LSB)							
7								
8								
9	VU = 0	Reserved = 0				FLAG	LINK	

Figure 103. READ BUFFER (3C)

The READ BUFFER command is used in conjunction with the WRITE BUFFER command as a diagnostic function for testing the file's memory and the SCSI bus integrity. This command does not alter the medium.

The function of this command and the meaning of fields within the command descriptor block depend on the contents of the mode field.

### MODE Description

**000** Read combined header and data

**010** Data

**011** Descriptor

**All others** Not supported.

### 7.19.1 Combined Header And Data (Mode 000)

In this mode, a four byte header followed by data bytes are returned to the initiator during the DATA IN phase. The Buffer ID and the buffer offset field are reserved.

The file terminates the DATA IN phase when allocation length bytes of header plus data have been transferred or when the header and all available data have been transferred to the initiator, whichever is less.

The four-byte READ BUFFER header (Figure 104 on page 136) is followed by data bytes from the file's data buffer.

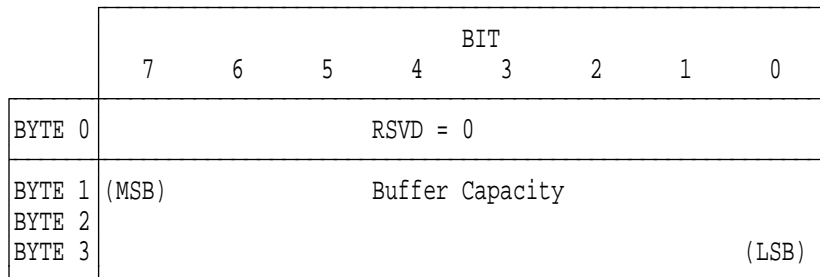


Figure 104. READ BUFFER Header

The buffer capacity specifies the total number of data bytes that are available in the file's data buffer. This number is not reduced to reflect the allocation length nor is it reduced to reflect the actual number of bytes written using the WRITE BUFFER command.

Following the READ BUFFER header, the file will transfer data from its data buffer.

### 7.19.2 Read Data (Mode 010b)

In this mode, the DATA IN phase contains buffer data.

**Buffer ID** field must be set to zero, indicating the data transfer buffer. If another value is specified, the command is terminated with CHECK CONDITION status. File shall set sense key to ILLEGAL REQUEST and additional sense code to ILLEGAL FIELD IN CDB.

**Buffer Offset** specifies the offset of the memory space specified by the Buffer ID. The initiator should conform to the offset boundary requirements returned in the READ BUFFER descriptor. If the value exceeds the buffer specified, the command is terminated with CHECK CONDITION status. File shall set sense key to ILLEGAL REQUEST and additional sense code to ILLEGAL FIELD IN CDB.

**Allocation Length** The file terminates the DATA IN phase when allocation length bytes of data have been transferred or when the header and all available data have been transferred to the initiator, whichever is less.

### 7.19.3 Descriptor (Mode 011b)

In this mode, a maximum of four bytes of READ BUFFER descriptor information are returned. The file returns the descriptor information for the buffer specified by the Buffer ID.

**Buffer ID** field should normally be set to zero indicating the file data transfer buffer. If any other value is specified the file returns all zeros in the READ BUFFER descriptor.

**Buffer Offset** field is reserved.

**Allocation Length** must be set to four or greater. The file transfers the lesser of the allocation length or four bytes of READ BUFFER descriptor. The READ BUFFER descriptor is defined in Figure 105 on page 137.

	7	6	5	4	3	2	1	0
BYTE 0	Offset Boundary							
BYTE 1 (MSB)	Buffer Capacity							
BYTE 2								
BYTE 3	(LSB)							

Figure 105. READ BUFFER DESCRIPTOR

The value contained in the Buffer Offset field of subsequent WRITE BUFFER and READ BUFFER commands should be a multiple of two to the power of the offset boundary. The offset boundary is always set to nine, which indicates Sector Boundaries.

## 7.20 READ LONG (3E)

Byte	Bit							
	7	6	5	4	3	2	1	0
0	Command Code = 3Eh							
1	LUN			Reserved = 0			CORT = 0	RelAdr = 0
2	(MSB) Logical Block Address (LSB)							
3								
4								
5								
6	Reserved = 0							
7	(MSB) Byte Transfer Length (LSB)							
8								
9	VU = 0	Reserved = 0				FLAG	LINK	

Figure 106. READ LONG (3E)

The READ LONG command requests the file to transfer **one block** of data to the initiator. The transfer data includes data and ECC field data.

- **CORT** bit of ZERO causes the logical block to be read without any correction made by the file. A CORT bit of one is not supported by the Target (A corrected bit of one causes the data to be corrected by ECC before transferring the data to the initiator).
- **Logical Block Address** field specifies the logical block at which the read operation shall occur.
- **Byte Transfer Length.** This field must exactly specify the number of bytes of data that are available for transfer. If a non-zero byte transfer length does not match the available data length, the target terminates the command with CHECK CONDITION status, the sense key is set to ILLEGAL REQUEST and an additional sense code set to INVALID FIELD IN CDB. The valid and ILI bits is set to one and the information field is set to the difference of the requested length minus the actual length in bytes. Negative values is indicated by two's complement notation.

The transfer length is calculated as follows:

$$\text{transfer length} = \text{logical block size} + 34$$

- **RelAdr** Relative Block Address is not supported by the file.

---

## 7.21 REASSIGN BLOCKS (07)

---

Byte	Bit							
	7	6	5	4	3	2	1	0
0	Command Code = 07h							
1	LUN			Reserved = 0				
2	Reserved = 0							
3								
4								
5	VU = 0	Reserved = 0				FLAG	LINK	

---

Figure 107. REASSIGN BLOCKS (07)

The REASSIGN BLOCKS command requests the file to reassign a logical block to an available spare. The REASSIGN BLOCKS command attempts to allocate spare blocks on a spare track. The logical block address is transferred to the file during the DATA OUT phase. One to four block(s) may be specified for relocation per REASSIGN BLOCKS command.

Reassignment is complete upon the completion of the REASSIGN BLOCKS command. At this time, the defective logical block address has been added to the grown (“G” list) defect list.

Data contained at the logical block address being reassigned is not preserved by the file, and is filled with a constant pattern.

Following is the format of the data sent by the initiator during the DATA OUT phase:

	BIT							
	7	6	5	4	3	2	1	0
BYTE 0	RSVD = 0							
BYTE 1	RSVD = 0							
BYTE 2 BYTE 3	(MSB) Defect list length = 4/8/12/16 (LSB)							
BYTE 4 BYTE 5 BYTE 6 BYTE 7	(MSB) Defective Logical Block Address -1 (LSB)							
BYTE 8 BYTE 9 BYTE 10 BYTE 11	(MSB) Defective Logical Block Address -2 (LSB)							
BYTE 12 BYTE 13 BYTE 14 BYTE 15	(MSB) Defective Logical Block Address -3 (LSB)							
BYTE 16 BYTE 17 BYTE 18 BYTE 19	(MSB) Defective Logical Block Address -4 (LSB)							

Figure 108. Format of REASSIGN BLOCKS data

**Note:** If the file finds a defective block by verifying ECC before it finds a spare, the file will not start the REASSIGN BLOCKS process, but will return CHECK CONDITION status with sense key set to MEDIUM ERROR.

- **Defect List Length** must be 4,8,12 or 16. Otherwise, the drive returns Check Condition with Sense key = Illegal request.
- **Defective Logical Block Address** is 4 bytes in length. The initiator can specify from 1 to 4 Defective Logical Block Address according to the Defect List Length from 4 to 16, respectively. Defective Logical Block Addresses must be ordered in ascending order, or the drive returns Check Condition.

## 7.22 RECEIVE DIAGNOSTICS (1C)

Byte	Bit								
	7	6	5	4	3	2	1	0	
0	Command Code = 1Ch								
1	LUN			Reserved = 0					
2	Reserved = 0								
3 4	(MSB)			Parameter List Length					(LSB)
5	VU = 0		Reserved = 0			FLAG		LINK	

Figure 109. RECEIVE DIAGNOSTIC (1C)

The Receive Diagnostic command requests that analysis data requested by a Send Diagnostics command be sent to the initiator.

- **Parameter List Length** specifies the amount of data to be returned to the initiator. This value may be zero and this is not considered an error. The target terminates the Data In phase when all available data has been transferred or when the number of bytes transferred equals the Parameter List Length.

### 7.22.1 Receive Diagnostic Page 0

This page contains a list of supported pages.

Byte	7	6	5	4	3	2	1	0
0	Page Code = 0							
1	Reserved = 0							
2 - 3	Page Length = 02h							
4	First supported page 0							
5	Second supported page 40							

### 7.22.2 Receive Diagnostic Page 40

Using the Send Diagnostics command an address, in either physical or logical format, is supplied to the file. This page is then used to retrieve the address translated into the other format.

Byte	7	6	5	4	3	2	1	0
0	Page Code = 40h							
1	Reserved = 0							
2 - 3	Page Length = 0Ah							

Byte	7	6	5	4	3	2	1	0
4	Reserved = 0					Supplied Format		
5	RA	ALTS	ALTT	Reserved = 0		Translate Format		
6 - 13	Translated Address							

- **Supplied Format** is the value supplied by the Send Diagnostic command it may be one of the three following values
  - **000b** Block format
  - **100b** Bytes From Index format
  - **101b** Physical Sector format

It specifies the format in which the address has been supplied.

- **Translate Format** is the value supplied by the Send Diagnostic command and specifies the format that the address has been translated into List. If the supplied format is the Block format, the Translate format must be either Bytes from Index or Physical Sector format. If the supplied format is the Bytes from Index or Physical Sector format, the Translate format must be Block format. Otherwise the Target will terminate the command with Check Condition status.
- **RA (Reserved Area)** is set to 1 if the translated block is a reserved area.
- **ALTS (Alternate Sector)** is set to 1 if the translated block is in alternate sector area.
- **ALTT (Alternate Track)** is set to 1 if the translated block is in alternate track area. This bit is not used by the file.
- **Translated Address** contains the address in the translate format. If it is a logical block address it is contained within the first 4 bytes of the field, i.e. bytes 6 to 9 of the page data. For a physical format it is as follows.

Byte	7	6	5	4	3	2	1	0
6 - 8	Cylinder Number							
9	Head Number							
10 - 13	Sector Number or Bytes from Index							



---

## 7.23 RELEASE (17)

---

Byte	Bit							
	7	6	5	4	3	2	1	0
0	Command Code = 17h							
1	LUN			3rdPty	3rd Party ID			Ext = 0
2	Reservation Identification							
3 4	Reserved = 0							
5	VU = 0		Reserved = 0			FLAG	LINK	

---

Figure 110. RELEASE (17)

The RELEASE command is used to release a LUN previously reserved.

**Note:** It is not an error for an initiator to release a LUN that is not currently reserved.

- **3rdPty** bit indicates that :
  - 1** This release process is for a third party which is specified by 3rd Party ID.
  - 0** This release process is for the initiator itself.
- **3rd Party ID** specifies the ID of the third party for which the LUN is reserved.<sup>3</sup>
- **Extents** must be 0. Extension is not supported by the file.
- **Reservation Identification** field is ignored.

---

<sup>3</sup> Refer 7.27, “RESERVE (16)” on page 148

---

## 7.24 RELEASE (57)

---

Byte	Bit							
	7	6	5	4	3	2	1	0
0	Command Code = 57h							
1	LUN			3rdPty	Reserved			Ext = 0
2	Reservation Identification							
3	Third Party Device ID							
4	Reserved = 0							
5	Reserved = 0							
6	Reserved = 0							
7	Reserved = 0							
8	Reserved = 0							
9	VU = 0		Reserved = 0			FLAG	LINK	

---

Figure 111. RELEASE (57)

The Release command is used to release a LUN previously reserved. It is not an error for an Initiator to attempt to release a reservation that is not currently active. In this case, the Drive returns Good status without altering the reservation.

Extents are not supported by the Drive. The Ext (Extent) bit must be zero and the Reservation Identification field is ignored. If the Ext bit is not zero, Check Condition Status is returned with a Sense Key of Illegal Request and additional sense code of Invalid Field in CDB.

If the 3rdPty bit is zero, then the third-party release option is not requested. If the 3rdPty bit is one, then the Target releases the LUN, but only if the reservation was made using the third-party reservation option and the 3rd Party ID is the ID of the initiator that made the reservation.

## 7.25 REPORT LUN (A0)

Byte	Bit								
	7	6	5	4	3	2	1	0	
0	Command Code = A0h								
1 2 3 4 5	Reserved								
6 7 8 9	(MSB)	Allocation Length						(LSB)	
10	Reserved								
11	VU = 0	Reserved = 0				FLAG	LINK		

Figure 112. REPORT LUN (A0)

The Report LUNs command requests that the target return the known Logical Unit Numbers (LUN) to the initiator. The Report LUNs command should always be available and is unaffected by any reservations.

The Allocation Length must be at least 16 bytes. If the Allocation Length is less than 16 bytes, the target will return in Check Condition Status with Sense Key of Illegal Request and additional Sense Code of Invalid Field in CDB. If the Allocation Length is not sufficient to contain the Logical Unit Number values for all configured logical units, the target shall report as many logical unit number values as will fit in the specified Allocation Length. This is not considered an error.

The Report LUNs command will send the LUN List in the subsequent Data Out Phase. The format of the LUN List is shown in the following table.

Byte	Bit							
	7	6	5	4	3	2	1	0
0 - 3	(MSB) LUN List Length = 8 (LSB)							
4 5 6 7	Reserved							
8 - 15	(MSB) LUN = 0 (LSB)							

Figure 113. LUN Reporting Parameter List Format

The LUN list length shall contain the length in bytes of the LUN list that is available to be transferred .

This product only supports one LUN. Therefore, the LUN list length must be set to 8. The only supported LUN is zero.

## 7.26 REQUEST SENSE (03)

Byte	Bit							
	7	6	5	4	3	2	1	0
0	Command Code = 03h							
1	LUN			Reserved = 0				
2 3	Reserved = 0							
4	Allocation Length							
5	VU = 0		Reserved = 0			FLAG		LINK

Figure 114. REQUEST SENSE (03)

The REQUEST SENSE command requests the file to transfer sense data.

The sense data shall be available when following conditions,

- The previous command to the specified I\_T\_L nexus terminated with CHECK CONDITION status.<sup>4</sup>
- An other information (e.g. medium position ) is available in any fields.
- The previous command to the specified I\_T\_L nexus ended unexpected BUS FREE error.

If REQUEST SENSE command with a invalid LUN is received, file return GOOD status and report a sense key of ILLEGAL REQUEST and an additional sense code of LOGICAL UNIT NOT SUPPORTED.

If the file has no sense data available to return, it shall return a sense key of NO SENSE and an additional sense code of NO ADDITIONAL SENSE INFORMATION.

The sense data shall be preserved by the file for the initiator until retrieved by the REQUEST SENSE command or until any other command for the same I\_T\_L nexus. Sense data shall be cleared upon receipt subsequent command including REQUEST SENSE to the same I\_T\_L nexus.

Separate sense data is maintained by the device for each initiator. Therefore, there is no requirement for an initiator to expeditiously clear a CHECK CONDITION as this will not affect other initiators in a multi-initiator system.

The file will return the number of bytes in the allocation length or 32 bytes whichever is less.

The contents of the sense data is defined in 11.0, “SCSI SENSE DATA” on page 213.

<sup>4</sup> I\_T\_L nexus . A nexus which exists between an initiator, a target and a logical unit.

## 7.27 RESERVE (16)

Byte	Bit							
	7	6	5	4	3	2	1	0
0	Command Code = 16h							
1	LUN			3rdPty	3rd Party ID			Ext = 0
2	Reservation Identification							
3 4	(MSB) Extent List Length = 0							(LSB)
5	VU = 0		Reserved = 0			FLAG	LINK	

Figure 115. RESERVE (16)

The RESERVE command is used to reserve a LUN for an initiator. This reservation can be either for;

1. The initiator which sends this command.
2. The third party which is specified in this command.

This command results in reserving the entire LUN for the initiator until one of the following occurs:

- The reservation is superseded by another valid RESERVE command from the initiator that made the reservation.
- The LUN is released by a RELEASE command from the same initiator.
- A hard reset condition occurs. (A SCSI bus Reset assertion)
- A BUS DEVICE RESET message is received from any initiator.
- Power off/on occurs.

**3rdPty** bit is to indicates that :

- 1** This reservation is for a third party which is specified by 3rd Party ID.
- 0** This reservation is for the initiator itself.

**3rd Party ID** specifies the ID of the third party for which the LUN is reserved.

**Note:** The LUN may be only released by the initiator who sent the RESERVE command.

**Extents** must be 0. Extension is not supported by the file.

**Reservation Identification** is ignored.

**Extent List** length must be zero. Extent List length is not supported.

## 7.28 RESERVE (56)

Byte	Bit							
	7	6	5	4	3	2	1	0
0	Command Code = 56h							
1	LUN		3rdPty	Reserved			Ext = 0	
2	Reservation Identification							
3	Third Party Device ID							
4	Reserved = 0							
5	Reserved = 0							
6	Reserved = 0							
7	(MSB)		Extent List Length = 0				(LSB)	
8								
9	VU = 0		Reserved = 0			FLAG	LINK	

Figure 116. RESERVE (56)

The Reserve command is used to reserve a LUN for an Initiator. This reservation can be either for the Initiator sending the command or for a third party as specified by the Initiator.

Extents are not supported by the Drive. The Ext bit must be 0. If Ext bit is set to 1, Check Condition Status is returned with a Sense Key of Illegal Request and additional sense code of Invalid Field in CDB. The Reservation Identification and Extent List Length fields are ignored.

The Reserve command requests that the entire Lun be reserved for the Initiator until;

- The reservation is superseded by another valid Reserve command from the Initiator that made the reservation.
- The reservation is released by a Release command from the same Initiator.
- A hard Reset condition occurs.
- A Bus Device Reset message is received from any Initiator.
- A power off/on cycle occurs.

The 3rdPty bit of 0 indicates that the Initiator that issued the the Reserve command is the Initiator for which the LUN is reserved.

The 3rdPty bit of 1 indicates that this is a third-party reservation. The 3rd Party ID byte specifies the ID of the third party for which the LUN is reserved. A reservation made with the 3rdPty bit of 1 and the 3rd Party ID byte set to the Initiator that issued this Reserve command is considered equivalent to a reservation made with the 3rdPty bit set to 0.

Only the Initiator that issued the Reserve command for a LUN may release the LUN, regardless of the 3rdPty option. This Initiator may also release the LUN by issuing another Reserve command. This superseding Reserve command releases the previous reservation when the new reservation is granted.

Reservation queuing is not supported by the Drive. If a LUN is reserved and a Reserve command is issued from a different initiator, the Target responds with a reservation Conflict.



---

## 7.29 REZERO UNIT (01)

---

Byte	Bit							
	7	6	5	4	3	2	1	0
0	Command Code = 01h							
1	LUN			Reserved = 0				
2	Reserved = 0							
3								
4								
5	VU = 0	Reserved = 0				FLAG	LINK	

---

Figure 117. REZERO UNIT (01)

The REZERO UNIT command requests that the target seek to logical block address 0.

---

## 7.30 SEEK (0B)

---

Byte	Bit							
	7	6	5	4	3	2	1	0
0	Command Code = 0Bh							
1	LUN			(MSB)	LBA			
2 3	Logical Block Address							(LSB)
4	Reserved = 0							
5	VU = 0	Reserved = 0				FLAG	LINK	

---

Figure 118. SEEK (0B)

The SEEK command requests the file to seek to the specified logical block address.

---

## 7.31 SEEK EXTENDED (2B)

---

Byte	Bit							
	7	6	5	4	3	2	1	0
0	Command Code = 2Bh							
1	LUN			Reserved = 0				0
2	(MSB) Logical Block Address (LSB)							
3								
4								
5								
6	Reserved = 0							
7								
8								
9	VU = 0	Reserved = 0				FLAG	LINK	

---

Figure 119. SEEK EXTENDED (2B)

The SEEK EXTENDED command requests the file to seek to the specified logical block address.

## 7.32 SEND DIAGNOSTIC (1D)

Byte	Bit							
	7	6	5	4	3	2	1	0
0	Command Code = 1Dh							
1	LUN			PF	RSVD =0	SlfTst	DevOf1	UntOf1
2	Reserved = 0							
3 4	(MSB)			Parameter List Length				(LSB)
5	VU = 0		Reserved = 0			FLAG	LINK	

Figure 120. SEND DIAGNOSTIC (1D)

The SEND DIAGNOSTIC command requests the file to perform its self-diagnostic test, or to perform a function based on a page of information sent in a Data Out phase during the command.

- **PF (Page Format)** bit set to 1 indicates the data sent by the Initiator conform to the page structure as specified in SCSI-2 standard. This bit must be set to 1 if the SlfTst bit is set to 0. This bit is ignored by the Target if the SlfTst bit is set.
- **SlfTst** set to 1 indicates the device performs its internal self test. If set to 0 then a parameter list should be sent by the initiator.
- **DevOf1** this bit is ignored by the target for compatibility.
- **UntOf1** this bit is ignored by the target for compatibility.
- **Parameter List Length** is ignored by the Target if the SlfTst bit is set. Otherwise it should be set to the length of the page to be transferred in the Data Out phase of the command. If it does not match the expected length of the page a CHECK CONDITION status will be generated with a Sense Key of Illegal Request and additional sense of Invalid Field in CDB.

If the SlfTst bit is set upon command completion, the following status is returned:

- GOOD status for successful test completion.
- CHECK CONDITION status for unsuccessful test completions.

The self diagnostics consists of two parts :<sup>5</sup>

- The first part is executed immediately after power up. This test is performed to verify all hardware which is not related to the disk drive. The local microprocessor, RAM (scratchpad and buffer), and control electronics are included here.
- The second part is executed after the spindle motor is started. This includes disk access (seek), R/W channel, and error correction circuitry verification. A reserved area on the disk is used for this test.

<sup>5</sup> See 10.18.2, “Diagnostics Command” on page 211 for a detailed listing of the operations carried out by the Diagnostics Command.

Both tests are performed as a result of the SEND DIAGNOSTIC command. The SEND DIAGNOSTICS will fail with CHECK CONDITION status if it is issued while the spindle motor is not turning. (Such as after STOP command has been received.)

**Note:** The self diagnostic is also performed at Power On Reset time.

**Note:** The SCSI bus signals will not be corrupted when the device is executing the SEND DIAGNOSTIC command.

### 7.32.1 Send Diagnostic Pages 0

This page requests that the file return a list of supported pages on the next receive diagnostics command.

Byte	7	6	5	4	3	2	1	0
0	Page Code = 0							
1	Reserved = 0							
2 - 3	Page Length = 0							

### 7.32.2 Send Diagnostic Pages 40

This allows the initiator to translate a logical block address or physical sector address to the other format. The address to be translated is passed to the target with the Send Diagnostic command and the results are returned to the initiator by the Receive Diagnostics command.

The target will read the parameter list from the initiator and if no errors are detected in the parameter list Good Status will be returned. The data translation will be performed upon receipt of the Receive Diagnostics command.

Byte	7	6	5	4	3	2	1	0
0	Page Code = 40h							
1	Reserved = 0							
2 - 3	Page Length = 0Ah							
4	Reserved = 0					Supplied Format		
5	Reserved = 0					Translate Format		
6 - 13	Address to Translate							

- **Supplied Format** may take either of the following three values:
  - **000b** Block format
  - **100b** Bytes From Index format
  - **101b** Physical Sector format

It specifies the format in which the address has been supplied.

- **Translate Format** specifies that format that the address should be translated into. If the supplied format is the Block format, the Translate format must be either Bytes from Index or Physical Sector format. If the supplied format is the Bytes from Index or Physical Sector format, the Translate format must be Block format. If either of the format fields is invalid or they specify the same format the command will

terminate with CHECK CONDITION status with a Sense of Illegal Request and Illegal Field in Parameter List.

- **Address to Translate** contains the address to translate. If the logical block format is specified then the first 4 bytes of the field, i.e. bytes 6 to 9, contain the LBA and the remainder must be zero. For the physical format the address must be specified as follows.

Byte	7	6	5	4	3	2	1	0
6 - 8	Cylinder Number							
9	Head Number							
10 - 13	Sector Number or Bytes from Index							

---

## 7.33 START/STOP UNIT (1B)

---

Byte	Bit							
	7	6	5	4	3	2	1	0
0	Command Code = 1Bh							
1	LUN			Reserved = 0				Immed
2 3	Reserved = 0							
4	Reserved = 0						Start	
5	VU = 0		Reserved = 0			FLAG	LINK	

---

Figure 121. START/STOP Unit (1B)

The START/STOP UNIT command is used to spin up or stop the spindle motor.

- **Immed** bit is to specify
  - 0** Status is to be returned at the end of the operation.
  - 1** GOOD status shall always be returned immediately after command has been received. The TEST UNIT READY command may be used to determine when the file becomes ready after a spin-up.
- **Start** bit is to specify:
  - 0** Stop the spindle.
  - 1** Start the spindle.

**Note:** Once the drive has become ready (after a power on ) the Start/Stop UNIT command can be used without any errors, regardless of the state of the motor, stopped or spinning.

## 7.34 SYNCHRONIZE CACHE (35)

Byte	Bit							
	7	6	5	4	3	2	1	0
0	Command Code = 35h							
1	LUN			Reserved = 0			Immed = 0	RelAdr = 0
2	(MSB) Logical Block Address (LSB)							
3								
4								
5								
6	Reserved = 0							
7	(MSB) Number of Blocks (LSB)							
8								
9	VU = 0	Reserved = 0				FLAG	LINK	

Figure 122. SYNCHRONIZE CACHE (35)

The SYNCHRONIZE CACHE Command ensures that logical blocks in the cache have their most recent data value recorded on the media.

- **Logical Block Address** is to specify:  
where the operation is to begin.
- **Number of Blocks** specifies:  
the total number of contiguous logical blocks within the range. Number of Blocks of zero indicates that all remaining logical blocks on the logical unit shall be within the range.
- **Immed** (immediate) must be zero.  
An immediate bit of zero indicates that the status shall not be returned until the operation has completed.  
If the Immed bit is set to one, the drive returns a Check Condition status. The sense key shall be set to Illegal Request and the additional sense code shall be set to Invalid Field in CDB.
- **RelAdr** (Relative Address) must be zero.  
The drive does not support the relative addressing.  
If the RelAdr bit is set to one, the drive returns Check Condition status. The sense key shall be set to Illegal Request and the additional sense code shall be set to Invalid Field in CDB.



---

## 7.35 TEST UNIT READY (00)

---

Byte	Bit							
	7	6	5	4	3	2	1	0
0	Command Code = 00h							
1	LUN			Reserved = 0				
2	Reserved = 0							
3								
4								
5	VU = 0	Reserved = 0				FLAG	LINK	

---

Figure 123. TEST UNIT READY (00)

The TEST UNIT READY command allows the initiator to check if the file is READY. The SCSI specification defines READY as the condition where the device will accept a media-access command without returning CHECK CONDITION status.

The file will first verify that the motor is spinning at the correct speed.

- If the spindle motor is not spinning at the correct speed, CHECK CONDITION status is returned with sense key of NOT READY.
- If the motor is spinning at the correct speed, the file accepts normal media access commands.

The TEST UNIT READY command is not intended as a diagnostic. No self diagnostic is performed by the device as a result of this command.

The TEST UNIT READY command has special significance for power sequencing using the START UNIT command with an Immediate bit of 1. In this mode the START UNIT command returns COMMAND COMPLETE status before the completion of motor spin-up and expects the initiator to issue TEST UNIT READY commands to determine when the motor has reached the proper speed.

**Note:** The spindle automatically starts in automatic spin-up Mode. The file does not execute any commands other than TEST UNIT READY, INQUIRY or REQUEST SENSE command until the the Power On sequence is complete. The file will return CHECK CONDITION status with NOT READY sense key and IN PROCESS OF BECOMING READY sense code for all other commands during the Power On period.

## 7.36 VERIFY (2F)

Byte	Bit							
	7	6	5	4	3	2	1	0
0	Command Code = 2Fh							
1	LUN			Reserved = 0			ByteChk = 0	0
2	(MSB) Logical Block Address (LSB)							
3								
4								
5								
6	Reserved = 0							
7	(MSB) Transfer Length (LSB)							
8								
9	VU = 0	Reserved = 0				FLAG	LINK	

Figure 124. VERIFY (2F)

The VERIFY command requests that the file verify the data written on the media. A verification length of zero indicates that no data will be transferred. This condition is not considered an error.

- **ByteChk** is not supported. Must be set to zero.

---

## 7.37 WRITE (0A)

---

Byte	Bit							
	7	6	5	4	3	2	1	0
0	Command Code = 0Ah							
1	LUN			(MSB)		LBA		
2	Logical Block Address (LSB)							
3								
4	Transfer Length							
5	VU = 0		Reserved = 0			FLAG	LINK	

---

Figure 125. WRITE (0A)

The WRITE command requests the file to write the specified number of blocks of data from the initiator to the medium starting at the specified logical block address.

See 7.14, “READ (08)” on page 125 for the parameters.

## 7.38 WRITE EXTENDED (2A)

Byte	Bit							
	7	6	5	4	3	2	1	0
0	Command Code = 2Ah							
1	LUN		DPO	FUA	Reserved = 0		RelAdr = 0	
2	(MSB) Logical Block Address (LSB)							
3								
4								
5								
6	Reserved = 0							
7	(MSB) Transfer Length (LSB)							
8								
9	VU = 0	Reserved = 0				FLAG	LINK	

Figure 126. WRITE EXTENDED (2A)

The WRITE EXTENDED command requests that the file write the data transferred from the initiator. This command is processed like the standard WRITE command except for the longer transfer length .

**Transfer length** The number of contiguous blocks to be transferred. If the transfer length is zero, the seek occurs, but no data is transferred. This condition is not considered an error.

**DPO** A DPO (Disable Page Out) bit of 1 indicates that the data accessed by this command is to be assigned the lowest priority for being written into or retained by the cache. A DPO bit of 1 overrides any retention priority specified in the Mode Select Page 8 Caching Parameters. A DPO bit of 0 indicates the priority is determined by the retention priority. The initiator should set the DPO bit when the blocks written by this command are not likely to be read in the near future.

**FUA** Force unit access. A FUA bit of 1 indicates that the Target must write the data to the media before returning Good Status. A FUA bit of 0 indicates the Target may return Good Status prior to writing the data to the media.

**RelAdr** Relative Block Address is not supported. Must be set to zero.

## 7.39 WRITE AND VERIFY (2E)

Byte	Bit							
	7	6	5	4	3	2	1	0
0	Command Code = 2Eh							
1	LUN		DPO	Reserved = 0		ByteChk = 0	RelAdr = 0	
2	(MSB) Logical Block Address (LSB)							
3								
4								
5								
6	Reserved = 0							
7	(MSB) Transfer Length (LSB)							
8								
9	VU = 0	Reserved = 0				FLAG	LINK	

Figure 127. WRITE AND VERIFY (2E)

WRITE AND VERIFY command requests that the file writes the data transferred from the initiator to the medium and then verify that the data is correctly written.

- **Transfer Length** of zero indicates that no data is transferred.
- If caching is enabled, the command performs an implied Force Unit Access (FUA) and an implied Synchronize Cache before starting the operation. This insures that the medium, not the cache, is being verified.
- **ByteChk** is not supported. Must be set to zero.
- **DPO** (Disable Page Out) bit of 1 indicates that the data written by this command is to be assigned the lowest priority for being written into or retained by the cache. A DPO bit of 1 overrides any retention priority specified in the Mode Select Page 8 Caching parameters. A DPO bit of 0 indicates the priority is determined by the retention priority.

The initiator should set the DPO bit when the blocks written by this command are not likely to be read again in the near future.

- **Relative Block Address** is not supported. Must be set to zero.

## 7.40 WRITE BUFFER (3B)

Byte	Bit							
	7	6	5	4	3	2	1	0
0	Command Code = 3Bh							
1	LUN			Reserved = 0		Mode		
2	Buffer ID							
3	(MSB) Buffer Offset (LSB)							
4								
5								
6	(MSB) Parameter List Length (LSB)							
7								
8								
9	VU = 0	Reserved = 0				FLAG	LINK	

Figure 128. WRITE BUFFER (3B)

The WRITE BUFFER command is used in conjunction with the READ BUFFER command as a diagnostic function for testing the file's memory and the SCSI bus integrity. This command does not alter the medium of the file. Additional modes are provided for downloading microcode and for downloading and saving microcode.

This command will cause the entire cache to be emptied.

The function of this command and the meaning of fields within the command descriptor block depend on the contents of the mode field.

### MODE Description

- 000** Write combined header and data
- 010** Data
- 100** Download Microcode
- 101** Download Microcode and Save
- All other modes are not supported by the file.

### 7.40.1 Combined Header And Data (Mode 000b)

In this mode, the data to be transferred is preceded by a four-byte header.

**Buffer ID** must be zero. If another value is specified, no download function are performed and the command is terminated with CHECK CONDITION status. And File shall set sense key to ILLEGAL REQUEST and additional sense code to ILLEGAL FIELD IN CDB.

**Buffer Offset** must be zero. If another value is specified, no download function are performed and the command is terminated with CHECK CONDITION status. And File shall set sense key to ILLEGAL REQUEST and additional sense code to ILLEGAL FIELD IN CDB.

**Parameter List Length** specifies the number of bytes that shall be transferred during the DATA OUT phase. This number **includes** four bytes of header, so the data length to be stored in the file's buffer is transfer length minus four. If the length exceeds the buffer size, the command is terminated with CHECK CONDITION status. And File shall set sense key to ILLEGAL REQUEST and additional sense code to ILLEGAL FIELD IN CDB.

The four-byte header consists of all reserved bytes.

---

	7	6	5	4	3	2	1	0
	BIT							
BYTE 0	Reserved = 0							
BYTE 1	Reserved = 0							
BYTE 2	Reserved = 0							
BYTE 3	Reserved = 0							

---

Figure 129. WRITE BUFFER Header

## 7.40.2 Write Data (Mode 010b)

In this mode, the DATA OUT phase contains buffer data.

**Buffer ID** must be set to zero, indicating the data transfer buffer. If another value is specified, the command is terminated with CHECK CONDITION status. File shall set sense key to ILLEGAL REQUEST and additional sense code to ILLEGAL FIELD IN CDB.

**Buffer Offset** specifies the offset of the memory space specified by the Buffer ID. The initiator should conform to the offset boundary requirements returned in the READ BUFFER descriptor. If the value exceeds the buffer specified, the command is terminated with CHECK CONDITION status. File shall set sense key to ILLEGAL REQUEST and additional sense code to ILLEGAL FIELD IN CDB.

**Parameter List Length** specifies the Parameter List Length. It must be;

- less than the capacity of the buffer size.
- on a sector boundary.

If a invalid value is specified, the command is terminated with CHECK CONDITION status. File shall set sense key to ILLEGAL REQUEST and additional sense code to ILLEGAL FIELD IN CDB.

## 7.40.3 Download Microcode (Mode 100b)

In this mode, the microcode is transferred to the control memory space of the file. Once downloaded the file will operate with the newly downloaded code immediately until the next power cycle.

**Buffer ID** field is used to indicate which portion of the microcode image is being downloaded. Following Buffer IDs are supported by the Target:

- 00h : Main Microprocessor Code
- 81h : Reserved Area Data

Any other value for the Buffer ID will cause the command to terminate with CHECK CONDITION status. The file shall set sense key to ILLEGAL REQUEST and additional sense code to ILLEGAL FIELD IN CDB.

**Buffer Offset** must be zero. If an invalid value is specified, the command is terminated with CHECK CONDITION status. File shall set sense key to ILLEGAL REQUEST and additional sense code to ILLEGAL FIELD IN CDB.

**Parameter List Length** must be size of data set to be downloaded.

It may also be set to 0000h in which case no code is updated. If an invalid value is specified, the command is terminated with CHECK CONDITION status. File shall set sense key to ILLEGAL REQUEST and additional sense code to ILLEGAL FIELD IN CDB.

This process generates a unit attention condition for MICROCODE HAS BEEN CHANGED for all initiators except the one which sent the write buffer command. Once the write buffer command has been completed the new microcode is immediately ready for operation.

**Note:** The Download Microcode mode described in this specification is to indicate that the file will accept a command with this mode, though it is not expected that a customer will ever issue such a command. To use the write buffer command with this mode, a special microcode version will be required from development. If such a microcode is released from development then it will include appropriate instructions on the function of new microcode and its effect on file operations after download.

**Note:** If the write buffer command with this mode is executed and the invalid code is downloaded, then it is to be expected that the file will be never complete or hang up the subsequent command. This condition normally be recoverable by a power on/off cycle, but no guarantee.

#### 7.40.4 Download Microcode and Save (Mode 101b)

In this mode, the data is transferred to the file to save into the System reserved area on the disk. This is for functional upgrade and configuration change reflecting customers requirements and/or manufacturer's reason, and stored into media as a permanent. The newly downloaded code becomes effective after Power On Reset.

**Note:** It will take up to 120 seconds to update the microcode including Flash ROM update.

**Note:** New code to be downloaded to the file will be provided by development either in request of customers for additional function or as a result of functional change by development's reason. Please note however that not all possible fixes or new function can be applied to a file in this manner and that there is a very considerable dependency on the level of ROM code contained within the file. If invalid code or code that is not compatible with the ROM code is downloaded the file will normally reject this code and will continue normal operation. However there is a very small possibility of invalid code being accepted and if this occurs the unit will usually become inoperable and have to be returned to the manufacturer to be recovered.

**Buffer ID** field is used to indicate which portion of the microcode image is being downloaded. Following Buffer IDs are supported by the Target:

- 00h : Main Microprocessor Code with all others in one (Single Binary)
- 00h : Main Microprocessor Code with all others in one, but separated as chunk.
- 00h - 02h : Main Microprocessor Code (3 times download by separate data sets)
- 80h : EEPROM Data
- 81h : Reserved Area Data
- 82h : ROM code (only for Flash ROM version)



Any other value for the Buffer ID will cause the command to terminate with CHECK CONDITION status. The file shall set sense key to ILLEGAL REQUEST and additional sense code to ILLEGAL FIELD IN CDB.

#### 7.40.4.1 Download Microprocessor Microcode and Save (Buffer\_ID = 00h)

There are 3 types of download function are supported. The first one is "Single Binary Download", the second is "Single Binary Chunked" and the there is "RAM/OVR Download".

**Buffer ID** is 00h. (Single Binary Download)

The first one is that the data set consist of all necessary code and tables in a one big data set. This is starting with the special header data followed by tables, RAM code, 2 Overlay codes, EEPROM data and Flash-ROM code. (Flash-ROM code is optional depends on the card type and version if card has update capability.) This download function is available when the file is running with full function (normal running) before this write buffer is issued.

It takes up to 120 seconds to finish the command. After completion of this type of write buffer command, the file will start as "Power on Reset" and running with newly downloaded code and configuration. Therefore initiator may need a special treatment for this target.

**Buffer ID** is 00h. (Single Binary Chunked)

The second is using the same data set as the first (Single Binary). Separate the big 1 binary file with each 32k bytes chunk, then issue Write buffer command with ID=00 repeatedly as the same number as the chunk. The last chunk may equal or less than 32K bytes. (For example, in case of single binary file size is 65k bytes, there are 3 chunk like 32k, 32k and 1k. And 3 continuous Write Buffer commands with ID=00 should be issued.) After issuing continuous Write Buffer for all chunk, the file behavior is the same as the single binary.

**Buffer ID** is 00h. (RAM/OVR Download) This data set is starting without header, RAM code and 2 Overlay codes are simply concatenated. This type of write buffer is the same effect of 3 times write buffer described just below. At the end of the command, the file is running without "Power on Reset" automatically. The newly downloaded code becomes effective after Power On Reset.

**Buffer Offset** must be zero.

If an invalid value is specified, the command is terminated with CHECK CONDITION status . File shall set sense key to ILLEGAL REQUEST and additional sense code to ILLEGAL FIELD IN CDB.

**Parameter List Length** must be specified for the total byte length of data set.

It may also be set 0000h in which case no code is updated. If an invalid value is specified, the command is terminated with CHECK CONDITION status. File shall set sense key to ILLEGAL REQUEST and additional sense code to ILLEGAL FIELD IN CDB.

#### 7.40.4.2 Download Microprocessor Microcode and Save (Buffer\_ID = 00h thru 2)

**Buffer ID** is 00h thru 02h. (RAM/OVR Download step by step)

The code must be downloaded to the file in 3 separate blocks. The 3 blocks must be sent in the correct sequential order and incremental buffer ID starting from 0. On all write buffer commands except the final one, the file merely stores the code and no action is taken. When the final block is received, the code validity will be checked via checksum and signature for integrity and compatibility with the ROM code. Once these checks have passed the file will overwrite the old code stored on the disk with the new download. In between downloading the code blocks, the file will continue to accept and process other commands from this and any other initiator. However if power is cycled or a reset occurs among them, the download procedure must be restarted.

**Buffer Offset** must be zero.

If an invalid value is specified, the command is terminated with CHECK CONDITION status . File shall set sense key to ILLEGAL REQUEST and additional sense code to ILLEGAL FIELD IN CDB.

**Parameter List Length** must be specified for the total byte length of each data set. It may also be set 0000h in which case no code is updated.

If an invalid value is specified, the command is terminated with CHECK CONDITION status. File shall set sense key to ILLEGAL REQUEST and additional sense code to ILLEGAL FIELD IN CDB.

#### **7.40.4.3 Download EEPROM Data and Save (Buffer\_ID = 80h)**

**Buffer ID** must be set to 80h for the EEPROM data.

**Buffer Offset** must be 00h. Otherwise file shall set sense key as ILLEGAL REQUEST and additional sense code to ILLEGAL FIELD IN CDB.

**Parameter List Length** must be 80h. Otherwise file shall set sense key as ILLEGAL REQUEST and additional sense code to ILLEGAL FIELD IN CDB.

#### **7.40.4.4 Download Reserved Area Data and Save (Buffer\_ID = 81h)**

**Buffer ID** must be set to 81h for Reserved Area Data.

**Buffer Offset** must be 00h. Otherwise file shall set sense key as ILLEGAL REQUEST and additional sense code to ILLEGAL FIELD IN CDB.

**Parameter List Length** must be the total bytes of Reserved Area Data and the multiple of 512 bytes in length.

#### **7.40.4.5 Download ROM code and Flash-ROM update (Buffer\_ID = 82h)**

The file have a capability to update the Flash-ROM code by Write Buffer. This is applicable only for the drive's logic card with Flash-ROM. It may take up to 120 seconds to finish the command. After completion of the command, the file will start as "Power on Reset" and running with newly downloaded ROM code. However RAM / Overlay code / reserved area data in the file may not compatible with the new ROM code. In this case, file is running as degraded and new RAM / Overlay code / reserved area data are needed to be download to be operational with new code level.

**Buffer ID** must be set to 82h for ROM code.

**Buffer Offset** must be zero.

**Parameter List Length** must be the total bytes of ROM code. It should be 0C000h.

## 7.41 WRITE LONG (3F)

Byte	Bit							
	7	6	5	4	3	2	1	0
0	Command Code = 3Fh							
1	LUN			Reserved = 0				RelAdr = 0
2 3 4 5	(MSB)	Logical Block Address						(LSB)
6	Reserved = 0							
7 8	(MSB)	Byte Transfer Length						(LSB)
9	VU = 0	Reserved = 0				FLAG	LINK	

Figure 130. WRITE LONG (3F)

The WRITE LONG command requests the file to write **one block** of data transferred from the initiator. The transfer data must include;

- User Data
- 34 bytes of ECC data

Parameters are;

- **Logical Block Address** field specifies the logical block at which the write operation shall occur.
- **Byte Transfer Length.** This field must exactly specify the number of bytes of data that are available for transfer. If a non-zero byte transfer length does not match the available data length, the target terminates the command with CHECK CONDITION status, the sense key is set to ILLEGAL REQUEST and an additional sense code set to INVALID FIELD IN CDB. The valid and ILI bits is set to one and the information field is set to the difference of the requested length minus the actual length in bytes. Negative values are indicated by two's complement notation.
- **RelAdr** (Relative Block Address) is not supported. Must be set to ZERO.

## 7.42 WRITE SAME (41)

Byte	Bit							
	7	6	5	4	3	2	1	0
0	Command Code = 41h							
1	LUN			Reserved = 0				RelAdr = 0
2 3 4 5	(MSB)	Logical Block Address						(LSB)
6	Reserved = 0							
7 8	(MSB)	Number of Blocks						(LSB)
9	VU = 0	Reserved = 0				FLAG	LINK	

Figure 131. WRITE SAME (41)

The Write Same command instructs the Target to write a single block of data, transferred to the Target from the Initiator, to a number of sequential logical blocks. This command is useful to write large data areas without sending all of the data over the SCSI bus.

- **Logical Block Address** specifies the address at which the write begins. The Number of Blocks specifies the number of contiguous blocks to be written. If the number is 0, all of the remaining blocks on the specified Logical Unit are written.
- **RelAdr** (Relative Block Address) is not supported and must be set to be ZERO.

The data for this command is not retained in the cache.

## 8.0 SCSI Status Byte

Upon the completion of a command, a status byte is sent to the initiator. Additional sense information may also be available depending on the contents of the status byte. The following section describes the possible values for the status byte and sense data.

				BIT				
	7	6	5	4	3	2	1	0
STATUS	Reserved = 0		Status Code				RSVD	

Figure 132. SCSI Status Byte. Format of the SCSI STATUS byte. All Reserved fields(R) are set to zero.

### STATUS BYTE Description

- 00h**            **GOOD**  
The command has been successfully completed.
- 02h**            **CHECK CONDITION**  
An error, exception, or abnormal condition has been detected. The sense data is set by the file. The REQUEST SENSE command should be issued to determine the nature of the condition.
- 08h**            **BUSY**  
This condition is returned when disconnect privilege is not granted while the file is BUSY processing the other command for the other initiator. The normal initiator recovery action is to issue the command at a later time, or reissue the command and grant the disconnect privilege.
- 10h**            **INTERMEDIATE/GOOD**  
This status is returned for every command in a series of linked commands (except the last command), unless an error, exception, or abnormal condition causes a CHECK CONDITION status or a RESERVATION CONFLICT status to be set. If this status is not returned, the chain of linked commands is broken, and no further commands in the series are executed.
- 18h**            **RESERVATION CONFLICT**  
This status is returned whenever an SCSI device attempts to access the file, but it has been reserved by another initiator. (See 7.27, "RESERVE (16)" on page 148.)
- 28h**            **QUEUE FULL**  
This status indicates that the target's command queue is full. If tagged command queuing feature is enabled and there is no room on the command queue, this status is returned when the initiator sends a command. For this status, sense is not valid.



## 9.0 SCSI MESSAGE SYSTEM

This chapter details how the message system is implemented on the file. Included is a functional description of the supported messages.

### 9.1 Supported Messages

The message supported by the file is shown in Figure 133.

MESSAGE	CODE (hex)	Direction	Negate ATN Before last ACK
COMMAND COMPLETE	00	IN	—
SYNCHRONOUS DATA TRANSFER REQUEST	010301	IN OUT	Yes
WIDE DATA TRANSFER REQUEST*	010203	IN OUT	Yes
SAVE DATA POINTER	02	IN	—
RESTORE POINTERS	03	IN	—
DISCONNECT	04	IN	—
INITIATOR DETECTED ERROR	05	OUT	Yes
ABORT	06	OUT	Yes
MESSAGE REJECT	07	IN OUT	Yes
NO OPERATION	08	OUT	Yes
MESSAGE PARITY ERROR	09	OUT	Yes
LINKED COMMAND COMPLETE	0A	IN	—
LINKED COMMAND COMPLETE (w/FLAG)	0B	IN	—
BUS DEVICE RESET	0C	OUT	Yes
ABORT TAG	0D	OUT	Yes
CLEAR QUEUE TAG	0E	OUT	Yes
SIMPLE QUEUE TAG	20XX	IN OUT	No
HEAD OF QUEUE TAG	21XX	OUT	No
ORDERED QUEUE TAG	22XX	OUT	No
IGNORE WIDE RESIDUE*	2301	IN	—
IDENTIFY	80–FF	IN	—
IDENTIFY	80–FF	OUT	No

Key: IN = Target to Initiator, OUT = Initiator to target.  
YES = Initiator shall negate ATN before last ACK of message.  
NO = Initiator may or may not negate ATN before last ACK of message.  
— = Not applicable  
XX = Queue Tag  
\* = Wide SCSI Only

Figure 133. Supported Messages

If an unsupported message is received, the file will send the *MESSAGE REJECT* message to the initiator. If at the time the unsupported message is received a valid NEXUS exists then the file will continue with the command. If no valid NEXUS exists then the file will go to Bus Free.

## 9.1.1 COMMAND COMPLETE (00)

The file sends this message to the initiator to indicate that the execution of a command has terminated and that valid status has been sent to the initiator. After successfully sending this message, the file releases all bus signals and goes to BUS FREE phase.

## 9.1.2 SYNCHRONOUS DATA TRANSFER REQUEST (01,03,01H)

Byte	Value	Description
0	01H	Extended message
1	03H	Extended message length
2	01H	SYNCHRONOUS DATA TRANSFER REQUEST code
3	M	Transfer period (M times 4 nanoseconds)
4	X	REQ/ACK offset

Figure 134. Synchronous Data Transfer Request.

A pair of Synchronous Data Transfer Request (SDTR) messages shown in Figure 134 are exchanged between an Initiator and a Target to establish the synchronous data transfer mode between the two devices. The message exchange establishes the permissible transfer period and REQ/ACK offset for a synchronous data transfer between the two devices. The initiator may initiate a synchronous data transfer negotiation at any time after the LUN has been identified. A Synchronous Data Transfer Request(SDTR) message exchange shall be initiated by an SCSI device whenever a previously arranged data transfer agreement may have become invalid. *The agreement becomes invalid after any condition which may leave the data transfer agreement in an indeterminate state such as;*

1. after a Power-on Reset
2. after a SCSI Bus "hard" reset condition
3. after a Bus Device Reset message

In addition, a SCSI device may initiate a SDTR message exchange whenever it is appropriate to negotiate a new data transfer agreement(either synchronous or asynchronous).

**M** The transfer period(M above) is the minimum time allowed between leading edges of successive REQ pulses and of successive ACK pulses to meet the device requirements for successful reception of data. The file supports transfer period in the range 50 nSec to 425 nSec in increments of 25 nSec. In addition to this , when the file is working on LVD the file supports 25 nSec transfer period.

### REQ/ACK Offset

The ACK/REQ offset(X above) is the maximum number of REQ pulses allowed to be outstanding before the leading edge of its corresponding ACK pulses is received at the file. A REQ/ACK offset value of zero indicate asynchronous data transfer mode. The file supports REQ/ACK offset values in the range 0 through 15.

If ATN is negated before all bytes of a multiple-byte extended message is received, the file will go to **BUS FREE** to signal a catastrophic error.

### 9.1.2.1 Synchronous Negotiation Started by the Initiator

When target respond with REQ/ACK offset value of 0 , the initiator shall use asynchronous data transfer mode.



**9.1.2.1.1 On LVD receiver mode.:** The Target responds to each Initiator requested transfer period as shown in the following figure Figure 135 on page 175:

Initiator Request	Target Response	Target Transfer Period	Maximum Burst Rate
0 <= Mi <= 09	Mt = 10	( Asynchronous mode )	N/A
10 <= Mi <= 10	Mt = 10	25 nSec	40.00 MT/s
11 <= Mi <= 12	Mt = 12	50 nSec	20.00 MT/s
13 <= Mi <= 18	Mt = Mi	75 nSec	13.33 MT/s
19 <= Mi <= 25	Mt = Mi	100 nSec	10.00 MT/s
26 <= Mi <= 31	Mt = Mi	125 nSec	8.00 MT/s
32 <= Mi <= 37	Mt = Mi	150 nSec	6.67 MT/s
38 <= Mi <= 43	Mt = Mi	175 nSec	5.71 MT/s
44 <= Mi <= 50	Mt = Mi	200 nSec	5.00 MT/s
51 <= Mi <= 56	Mt = Mi	225 nSec	4.44 MT/s
57 <= Mi <= 62	Mt = Mi	250 nSec	4.00 MT/s
63 <= Mi <= 68	Mt = Mi	275 nSec	3.64 MT/s
69 <= Mi <= 75	Mt = Mi	300 nSec	3.33 MT/s
76 <= Mi <= 81	Mt = Mi	325 nSec	3.08 MT/s
82 <= Mi <= 87	Mt = Mi	350 nSec	2.86 MT/s
88 <= Mi <= 93	Mt = Mi	375 nSec	2.67 MT/s
94 <= Mi <= 100	Mt = Mi	400 nSec	2.50 MT/s
101 <= Mi <= 106	Mt = Mi	425 nSec	2.35 MT/s
107 <= Mi <= 255	Mt = 106	(Asynchronous mode)	N/A

Figure 135. Initiator Request/Target Response (LVD receiver mode)

**9.1.2.1.2 On F-20 mode.:** The Target responds to each Initiator requested transfer period as shown in the following figure Figure 136:

Initiator Request	Target Response	Target Transfer Period	Maximum Burst Rate
0 <= Mi <= 11	Mt = 12	( Asynchronous mode )	N/A
12 <= Mi <= 12	Mt = 12	50 nSec	20.00 MT/s
13 <= Mi <= 18	Mt = Mi	75 nSec	13.33 MT/s
19 <= Mi <= 25	Mt = Mi	100 nSec	10.00 MT/s
26 <= Mi <= 31	Mt = Mi	125 nSec	8.00 MT/s
32 <= Mi <= 37	Mt = Mi	150 nSec	6.67 MT/s
38 <= Mi <= 43	Mt = Mi	175 nSec	5.71 MT/s
44 <= Mi <= 50	Mt = Mi	200 nSec	5.00 MT/s
51 <= Mi <= 56	Mt = Mi	225 nSec	4.44 MT/s
57 <= Mi <= 62	Mt = Mi	250 nSec	4.00 MT/s
63 <= Mi <= 68	Mt = Mi	275 nSec	3.64 MT/s
69 <= Mi <= 75	Mt = Mi	300 nSec	3.33 MT/s
76 <= Mi <= 81	Mt = Mi	325 nSec	3.08 MT/s
82 <= Mi <= 87	Mt = Mi	350 nSec	2.86 MT/s
88 <= Mi <= 93	Mt = Mi	375 nSec	2.67 MT/s
94 <= Mi <= 100	Mt = Mi	400 nSec	2.50 MT/s
101 <= Mi <= 106	Mt = Mi	425 nSec	2.35 MT/s
107 <= Mi <= 255	Mt = 106	(Asynchronous mode)	N/A

Figure 136. Initiator Request/Target Response (F-20 mode)

### 9.1.2.2 Synchronous Negotiation Started by the Target

If the file recognizes that negotiation is required, the file sends a SDR message to the initiator with minimum transfer period on the current receiver mode. The file interprets the Initiator corresponding transfer period as shown in the following figure Figure 137 on page 176:

#### 9.1.2.2.1 On LVD receiver mode.

Initiator's Response	Target Transfer Period	Maximum Burst Rate
0 <= Mi <= 09	Send Message Reject(Async mode)	N/A
10 <= Mi <= 10	25 nSec	40.00 MT/s
11 <= Mi <= 11	50 nSec	20.00 MT/s
12 <= Mi <= 12	50 nSec	20.00 MT/s
13 <= Mi <= 18	75 nSec	13.33 MT/s
19 <= Mi <= 25	100 nSec	10.00 MT/s
26 <= Mi <= 31	125 nSec	8.00 MT/s
32 <= Mi <= 37	150 nSec	6.67 MT/s
38 <= Mi <= 43	175 nSec	5.71 MT/s
44 <= Mi <= 50	200 nSec	5.00 MT/s
51 <= Mi <= 56	225 nSec	4.44 MT/s
57 <= Mi <= 62	250 nSec	4.00 MT/s
63 <= Mi <= 68	275 nSec	3.64 MT/s
69 <= Mi <= 75	300 nSec	3.33 MT/s
76 <= Mi <= 81	325 nSec	3.08 MT/s
82 <= Mi <= 87	350 nSec	2.86 MT/s
88 <= Mi <= 93	375 nSec	2.67 MT/s
94 <= Mi <= 100	400 nSec	2.50 MT/s
101 <= Mi <= 106	425 nSec	2.35 MT/s
107 <= Mi <= 255	Send Message Reject(Async mode)	N/A

Figure 137. Target Response to Initiator's Transfer Period(LVD mode)

#### 9.1.2.2.2 F-20 mode.

Initiator's Response	Target Transfer Period	Maximum Burst Rate
0 <= Mi <= 11	Send Message Reject(Async mode)	N/A
12 <= Mi <= 12	50 nSec	20.00 MT/s
13 <= Mi <= 18	75 nSec	13.33 MT/s
19 <= Mi <= 25	100 nSec	10.00 MT/s
26 <= Mi <= 31	125 nSec	8.00 MT/s
32 <= Mi <= 37	150 nSec	6.67 MT/s
38 <= Mi <= 43	175 nSec	5.71 MT/s
44 <= Mi <= 50	200 nSec	5.00 MT/s
51 <= Mi <= 56	225 nSec	4.44 MT/s
57 <= Mi <= 62	250 nSec	4.00 MT/s
63 <= Mi <= 68	275 nSec	3.64 MT/s
69 <= Mi <= 75	300 nSec	3.33 MT/s
76 <= Mi <= 81	325 nSec	3.08 MT/s
82 <= Mi <= 87	350 nSec	2.86 MT/s
88 <= Mi <= 93	375 nSec	2.67 MT/s
94 <= Mi <= 100	400 nSec	2.50 MT/s
101 <= Mi <= 106	425 nSec	2.35 MT/s
107 <= Mi <= 255	Send Message Reject(Async mode)	N/A

Figure 138. Target Response to Initiator's Transfer Period(F-20 mode)

### 9.1.3 WIDE DATA TRANSFER REQUEST (01,02,03H)

A pair of Wide Data Transfer Request messages are exchanged between an Initiator and a Target to establish a data transfer width agreement between the two devices. The Initiator may initiate a wide data transfer negotiation at any time after the LUN has been identified. The Target initiates a wide data transfer negotiation if the Target has not negotiated with the Initiator since the last time the Target was Reset (Power-on Reset, SCSI Bus Hard Reset, or Bus Device Reset message).

Target-initiated negotiation occurs either immediately following the Command phase or immediately following the first reconnection. In either case, negotiation occurs before any Data phase between the Target and the Initiator. The Target will negotiate the data transfer width agreement prior to negotiating the synchronous data transfer agreement. If a synchronous data transfer agreement is in effect when a Wide Data Transfer Request message is received, the Target will reset the synchronous agreement to asynchronous mode.

The implied data transfer width agreement remains in effect until the Target is Reset (Power-on Reset, SCSI Bus "hard" Reset, or Bus Device Reset message) or a new data transfer width agreement is negotiated. If a Reset occurs, the Target goes to eight bit mode.

Byte	Value	Description
0	01H	Extended message
1	02H	Extended message length
2	03H	Wide Data Transfer Request code
3	E	Transfer Width Exponent

Figure 139. Wide Data Transfer Request.

**E** The Transfer Width Exponent (E) is two to the transfer width exponent bytes wide. Valid data transfer widths are 8 bits (E = 00h) and 16 bits (E = 01h). Value of E greater than 01h are reserved.

### 9.1.3.1 Transfer Width Negotiation Started by the Initiator

If the Initiator recognizes that negotiation is required and sends a Wide Data Transfer Request message out, the Target responds by changing to the Message In phase and sending a Wide Data Transfer Request message in to the Initiator prior to transfer any additional message bytes (or any other Information phase bytes) from the Initiator. This provides an interlock during the data transfer width negotiation.

The Drive responds to each Initiator requested transfer width exponent as shown in the following table.

Initiator Request	Target Response	Target Data Transfer Width
Ei = 00h	Et = 00h	8 Bit Data Transfers
Ei > 00h	Et = 01h	16 Bit Data Transfers

Figure 140. Initiator Request/Target Response

If following the Target's response above the Initiator asserts the ATN signal and the first message received is either a Message Parity Error or a Message Reject message, the Target negates the data transfer width agreement and goes to 8 bits mode. For the Message Parity Error case, the implied data transfer width agreement is reinstated if the Target successfully retransmits the Wide Data Transfer Request message to the Initiator. For any other message, the Target completes negotiation and goes to the negotiated data transfer width.

### 9.1.3.2 Transfer Width Negotiation Started by the Target

If the Target recognizes that negotiation is required, the Target sends a Wide Data Transfer Request message to the Initiator with the transfer width exponent equal to 1 (E = 01h). The Initiator must respond by asserting the ATN signal prior to its release of ACK for the REQ/ACK handshake of the last byte of the Wide Data Transfer Request message. This provides an interlock during the wide data transfer negotiation. If the Initiator does not assert the ATN signal, the Target goes to 8 bit mode. If the Initiator does assert the ATN signal, the Target changes to the Message Out phase and receives a message from the Initiator.

If the first message received is a Wide Data Transfer Request message, the Target establishes the new data transfer mode. The Drive interprets the Initiator corresponding transfer width exponent as shown in the following table.

Initiator Request	Target Data Transfer Width
Ei = 00h	8 Bit Data Transfers
Ei = 01h	16 Bit Data Transfers
Ei > 01h	Send Message Reject (8 bit Data Transfer)

Figure 141. Target Request to Initiator

**Note:** If the corresponding transfer width exponent received from the Initiator indicates a data transfer width that is greater than 16 bits ( $E > 01h$ ) the Target sends a Message Reject message to the initiator to indicate 8 bit data transfer mode.

If the first message received from the Initiator is either a Message Parity Error or a Message Reject message, the Target goes to 8 bit data transfer mode. For the Message Parity Error case, the wide data transfer negotiation is restarted if the Target successfully retransmits the Wide Data Transfer Request message to the Initiator.

If the first message received from the Initiator is any other message, the Target goes to 8 bit data transfer mode. The Target assumes that the Initiator does not support wide data transfer and does not attempt to renegotiate with this Initiator.

The implied agreement for wide data transfer operation is not considered to exist by the Target until the Target leaves the Message Out phase, implying that no parity error was detected. If the Target detects a parity error while attempting to receive the message from the Initiator, the Target goes to 8 bit data transfer mode. The Target will attempt to resume the wide data transfer negotiation by retrying the Message Out phase.

**Note:** If during the Message In phase of negotiations, either Target or Initiator started, ATN is asserted prior to transmission of the last byte of the message and the message is not Message Parity or Message Reject, the Target goes to 8 bit data transfer mode.

#### **9.1.4 SAVE DATA POINTER (02)**

This message is sent from the file to direct the initiator to copy the active data pointer to the saved data pointer. The SAVE DATA POINTER message is only sent if the initiator has previously indicated the ability to accommodate disconnection and reconnection via the IDENTIFY message .

The file will send the SAVE DATA POINTER message to the initiator prior to sending a DISCONNECT message to the initiator if a data phase has occurred and another data phase is required to successfully complete the command.

#### **9.1.5 RESTORE POINTERS (03)**

This message is sent from the file to direct an initiator to copy the most recently saved pointers to the corresponding command, data, and status pointers. Command and status pointers should be restored to the beginning of the present command and status areas. The data pointer should be restored to the value at the beginning of the data area in the absence of a SAVE DATA POINTER message or to the value at the point at which the last SAVE DATA POINTER message occurred. Also see 9.4, “SCSI Bus Related Error Handling Protocol” on page 185.

#### **9.1.6 DISCONNECT (04)**

This message is sent from the file to inform an initiator that the present connection is going to be broken. A later reconnect will be required in order to complete the current command. The disconnection is to free the SCSI bus while the file performs a relatively long operation that does not require the bus. These messages are only sent if the initiator previously indicated (via the IDENTIFY message) the ability to accommodate disconnection and reconnection.

The DISCONNECT message may also be sent from the initiator to the file to disconnect from the SCSI bus. The file does not support the DISCONNECT message from the initiator. And it always respond by sending MESSAGE REJECT message to the initiator.

## 9.1.7 INITIATOR DETECTED ERROR (05)

This message is sent from an initiator to inform the file that an error has been detected that does not preclude the file from retrying the previous COMMAND, DATA and STATUS phase. The source of the error may be either related to previous activities on the SCSI bus or may be internal to the initiator and unrelated to any previous SCSI bus activity.

If the initiator intends to send this message, the initiator must assert the ATN signal prior to its release of ACK for the last byte transferred in the information phase that is to be retried. This provides an interlock so the file can determine which information phase to retry.

After receiving this message, the file may retry the previous phase by sending a RESTORE POINTERS message to the initiator and then repeating the previous COMMAND, DATA, or STATUS phase.

## 9.1.8 ABORT (06)

This message is sent from the initiator to direct the file to clear the present operation for this initiator and logical unit, including queued command(s). If a logical unit has been identified, then all pending data and status for the issuing initiator and this logical unit will be cleared and the file will go to the BUS FREE phase. Pending data and status for other logical unit and initiators will not be cleared. If a logical unit has not been identified, the file will go to the BUS FREE phase without affecting an operation on any logical unit for this initiator or any other initiator. In either case, no status or ending message will be sent to the initiator for this operation. It is not an error to send the ABORT message to a logical unit that is not currently performing an operation for the initiator.

**Note:** It is permissible for an initiator to select the file/LUN after the file has disconnected from the initiator, for the purpose of sending an IDENTIFY message followed by an ABORT message. This will abort the command on the specified logical unit.

## 9.1.9 MESSAGE REJECT (07)

This message is sent from either the initiator or the file to indicate that the last message received was inappropriate or has not been implemented.

If the initiator intends to send this message, the initiator must assert the ATN signal prior to its release of ACK for the REQ/ACK handshake of the message byte that is to be rejected. This provides an interlock so the file can determine which message is rejected.

If the file intends to send this message, the file will change to the MESSAGE IN phase and send the MESSAGE REJECT message to the initiator prior to transferring any additional message bytes (or any other information phase bytes) from the initiator regardless of ATN signal. This provides an interlock so the initiator can determine which message is rejected. After the file sends a MESSAGE REJECT message and if ATN signal is still asserted then it shall return to the MESSAGE OUT phase. The subsequent MESSAGE OUT phase shall begin with the first byte of a message.

## 9.1.10 NO OPERATION (08)

This message is sent from the initiator to the file when the initiator does not currently have any other valid message to send. This message is ignored by the file and will not affect any operation.

### **9.1.11 MESSAGE PARITY ERROR (09)**

This message is sent from the initiator to inform the file that the last message byte received had a parity error.

If the initiator intends to send this message, the initiator must assert the ATN signal prior to its release of ACK for the REQ/ACK handshake of the message byte that has the parity error. This provides an interlock so the file can determine which message byte has the parity error.

If the file receives this message under any other circumstance, the file will change to BUS FREE to signal a catastrophic error. After receiving this message, the file will retry sending the previous message to the initiator.

### **9.1.12 LINKED COMMAND COMPLETE (0A)**

The file sends this message to the initiator to indicate that execution of a linked command (with flag bit equal to zero) has completed and that valid status has been sent to the initiator. After successfully sending this message, the file goes to COMMAND phase to receive the next command.

### **9.1.13 LINKED COMMAND COMPLETE WITH FLAG (0B)**

The file sends this message to the initiator to indicate that the execution of a linked command with flag bit set to one has completed and that valid status has been sent to the initiator. After successfully sending this message, the file goes to COMMAND phase to receive the next command.

### **9.1.14 BUS DEVICE RESET (0C)**

This message is sent from an initiator to direct the file to clear all current commands. This message forces a hard reset condition which will reset the file to an initial state with no operations pending for any initiator. After receiving this message, the file will go to the BUS FREE phase.

### **9.1.15 ABORT TAG (0D)**

When the target receives this message successfully, it clears the current I/O process and go to Bus Free. If the target has already started execution of an I/O process, the execution will be halted. Pending status, data and commands for other active or queued I/O processes shall not be affected.

### **9.1.16 CLEAR QUEUE TAG (0E)**

All I/O processes for all initiators shall be cleared. All active I/O processes shall be terminated. The target shall go to the Bus Free phase following successfully receipt of this message.

### **9.1.17 QUEUE TAG MESSAGES(20h, 21h, 22h)**

Byte	Value	Description
0	20H	Simple Queue Tag message
	21H	Head of Queue Tag message
	22H	Ordered Queue Tag message
1	XXh	Queue Tag

Figure 142. Queue Tag Messages

Queue Tag messages are used to specify an identifier, called a Queue Tag, for an I/O process which establish the I\_T\_L\_Q nexus. The queue tag filed is an 8-bit unsigned integer assigned by the initiator during an initial connection. The Queue Tag for every I/O process for each I\_T\_L nexus must be unique. If the target receives a Queue Tag that is currently in use for the I\_T\_L nexus it will respond as "Incorrect Initiator Response". A Queue Tag becomes available for re-assignment when I/O process ends. The numeric value of a Queue Tag has no effect on the order of execution.

Whenever an initiator connects to the target, the appropriate Queue Tag message must be sent immediately following the Identify message and within the same MESSAGE OUT phase to establish the I\_T\_L\_Q nexus for the I/O process.

Whenever the target reconnects to an initiator to continue a tagged I/O process, the Simple Queue Tag message is sent immediately following the Identify and within the same MESSAGE IN phase to revive the I\_T\_L\_Q nexus for the I/O process.

#### 9.1.17.1 SIMPLE QUEUE TAG (20h)

The Simple Queue Tag Message specifies that the current I/O process be placed in the command queue. The order of execution, with respect to other I/O processes received with Simple Queue Tag Messages, is up to the discretion of the target. The target will send a Simple Queue Tag Messages after reselection for I/O processes that were received with either Simple, Ordered, or Head of Queue Tag messages.

#### 9.1.17.2 HEAD OF QUEUE TAG (21h)

Commands with this tag should be inserted into the head of the queue. When a command is being executed, this tagged command will be inserted to the head of queue to be executed after the command being currently executed. The previous command being executed will not terminated by this tagged command. This tagged command will wait until the previous command is through. If plural head-of-queue tagged commands are received, those command will be executed in LIFO(Last in First out) order.

#### 9.1.17.3 ORDERED QUEUE TAG (22h)

This tagged command is executed in the order received. All commands received before this command should be executed before this command, and all commands received after this commands should be executed after this command.

#### 9.1.18 IGNORE WIDE RESIDUE (23h)



Byte	Value	Description
0	23H	Ignore Wide Residue message
1	01H	Ignore

Figure 143. Ignore Wide Residue Message Format

The Ignore Wide Residue Message is sent from the target to indicate that the number of valid bytes sent during the last REQ/ACK handshake of a DATA IN phase is less than the negotiated transfer width. The ignore field (always = 01h) indicates that one byte (data bits 8-15) should be ignored. This message is sent immediately following the DATA IN phase and prior to any other messages. Even though a byte is invalid, it's corresponding parity bit is valid for the value transferred.

### 9.1.19 IDENTIFY (80 - FF)

This message is set by either the initiator or the file to establish the logical path connection between the two devices.

The IDENTIFY message is defined as follows:

- Bit 7** This bit is always set to one to distinguish the IDENTIFY message from other messages.
- Bit 6** This bit is only set to one by the initiator to grant the file the privilege of disconnecting. If this bit is zero, the file will not disconnect, unless the initiator instructs the file to disconnect by sending a DISCONNECT Message to the file. This bit is set to zero when the file sends an IDENTIFY message to the initiator.
- Bits 5-3** These bits are reserved and must be zero for an IDENTIFY message.
  - Note:** If an invalid Identify message is received with these bits not equal to zero, then the file sends a MESSAGE REJECT message to the initiator and goes to the Bus Free phase to signal a catastrophic error condition.
- Bits 2-0** These bits specify the logical unit number (LUN).
  - Only one LUN may be identified for any one selection sequence. If the file receives an IDENTIFY message with a new LUN after the LUN had previously been identified, the file will go to the BUS FREE phase to signal a catastrophic error. The initiator may send more than one Identify message during a selection sequence in order to toggle disconnect/reconnect permission if the specified LUN remains the same.

When the IDENTIFY message is sent from the file to the initiator during reconnection, an implied RESTORE POINTERS message must be performed by the initiator.

---

## 9.2 Supported Message Functions

The implementation of the supported messages will also include the following functions.

- Retry SCSI Command or STATUS phase
  - The retry will be caused by the following error condition.
    - The file detected SCSI bus parity error(Command phase)
    - The file receives INITIATOR DETECTED ERROR MESSAGE during or at the conclusion of an information transfer phase (Command Data Out or Status Phase)

**Note:** The initiator may send the INITIATOR DETECTED ERROR message as a result of an initiator detected SCSI Bus parity error or an internal error.

- Retry MESSAGE IN phase

- The retry will be caused by the receipt of a MESSAGE PARITY ERROR message immediately following a MESSAGE IN phase.

**Note:** The Initiator may send the MESSAGE PARITY ERROR message as a result of an Initiator detected SCSI Bus parity error during the Message In phase.

- Receipt of multiple Identify message

- The initiator is allowed to send multiple IDENTIFY messages out in order to toggle the disconnect/reconnect permission bit. This may be used to selectively enable or disable disconnect/reconnect permission during portions of a command. Note that this function does not effect the operation of the Forced Disconnect function.

- MESSAGE REJECT during Target Disconnection

- If the Initiator rejects the SAVE DATA POINTER message, the file will disable disconnect/reconnect permission. This is equivalent to receiving an IDENTIFY message with bit 6 equal to zero. This will cause to file to inhibit the pending disconnection.
- If the initiator rejects the DISCONNECT message, the file will not disconnect but may attempt to disconnect at a later time. This function may be used to selectively disable disconnection during portions of a command.

---

## 9.3 Attention Condition

The attention condition allows an initiator to inform the file that a MESSAGE OUT phase is desired. The initiator may create the attention condition by asserting the ATN signal at any time except during the ARBITRATION or BUS FREE phases.

The initiator must create the attention condition by asserting the ATN signal least two deskew delays before releasing ACK for the last byte transferred in a bus phase to guarantee that the attention condition will be honored before transition to a new bus phase. This will guarantee a predictable file response to message received during the MESSAGE OUT phase for this attention condition. If the ATN signal is asserted later, it might be honored in the current bus phase or the next bus phase and then may not result in the expected action.

After the initiator asserts the ATN signal, the file will respond with the MESSAGE OUT phase as follows:

<b>Current Phase</b>	<b>Response</b>
<b>COMMAND</b>	Message Out phase will occur after part or all of the Command Descriptor Block has been transferred to the file. The initiator must continue REQ/ACK handshakes during the Command phase until the file enters the MESSAGE OUT phase.
<b>DATA</b>	<p>The MESSAGE OUT phase will occur after part or all of the data bytes have been transferred and not necessarily on a logical block boundary. The initiator must continue REQ/ACK handshakes (asynchronous transfer) until it detects the phase change.</p> <p><b>Note:</b> In synchronous transfer, the initiator must continue sending ACK pulses to reach an offset of zero.</p>
<b>STATUS</b>	The MESSAGE OUT phase will occur after the REQ/ACK handshake of the status byte has been completed.
<b>MESSAGE IN</b>	The MESSAGE OUT phase will occur before the file sends another message.
<b>SELECTION</b>	If ATN occurs during a SELECTION phase and before the initiator releases the BSY signal, the MESSAGE OUT phase will occur immediately after that SELECTION phase.
<b>RESELECTION</b>	The MESSAGE OUT phase will occur after the file has sent its IDENTIFY message for that RESELECTION phase. (First the file tries to complete the reselection.)

The initiator must keep the ATN signal asserted if more than one message byte is to be transferred during the MESSAGE Out phase. The file will process each message byte (multiple-bytes for an extended message) prior to receive the next message from the initiator. The file will continue to handshake and process byte(s) in the MESSAGE OUT phase until ATN goes false unless one of the following condition occurs:

1. The file receives an illegal or inappropriate message and goes to the MESSAGE IN phase to send a MESSAGE REJECT message.
2. The file detects a catastrophic error condition and goes to the BUS FREE phase.

---

## 9.4 SCSI Bus Related Error Handling Protocol

This protocol is used to handle error that threaten the integrity of a connection between the Target and an Initiator.

## 9.4.1 Unexpected BUS FREE Phase Error Condition

There are several error conditions that will cause the file to immediately change to the BUS FREE phase, regardless of the state of the ATN signal. The file will not attempt to reconnect to the initiator to complete the operation that was in progress when the error condition was detected. The initiator should interpret this as a catastrophic error condition.

If the LUN was identified by the file prior to the error condition, then the file will abort the active command for this initiator/LUN and generate sense data for this initiator/LUN to describe the cause of the catastrophic error. The initiator may retrieve this sense data by issuing a REQUEST SENSE command to this LUN. Note however, that the REQUEST SENSE command may fail if the catastrophic error condition persists.

If the LUN was not identified by the file prior to the error condition, then the file will not affect the sense data or the operation of any currently executing command for this initiator or any other initiator.

## 9.4.2 MESSAGE OUT Phase Parity Error

The file will, depending on the model<sup>6</sup>, optionally retry the message phase and if it still fails abort the current command with CHECK CONDITION status and sense data of ABORTED COMMAND / SCSI PARITY ERROR .

## 9.4.3 MESSAGE IN Phase Parity Error (Message Parity Error)

The file will, depending on the model<sup>6</sup>, optionally retry the message phase and if it still fails abort the current command, go to bus free, setting sense data of ABORTED COMMAND / SCSI PARITY ERROR .

## 9.4.4 COMMAND Phase Parity Error

The file will, depending on the model<sup>6</sup>, optionally retry the command phase after sending a restore pointers message. If it still fails it will abort the current command with CHECK CONDITION status and sense data of ABORTED COMMAND / SCSI PARITY ERROR .

## 9.4.5 DATA OUT Phase Parity Error

If the file detects a parity error during DATA OUT phase, the file will abort the current command with CHECK CONDITION status and sense data of ABORTED COMMAND / SCSI PARITY ERROR.

---

<sup>6</sup> The action for a particular file model is defined in the interface spec addendum for each model.

## 9.4.6 INITIATOR DETECTED ERROR Message

An INITIATOR DETECTED ERROR message is valid after a COMMAND, DATA IN/OUT or STATUS phase has occurred. If another phase has occurred, the message is rejected.

The file will, depending on the model, optionally retry the previous phase if it is command or status. If this fails or the previous phase was a data transfer the file will generate a CHECK CONDITION status and a Sense key of ABORTED COMMAND with additional sense code of INITIATOR DETECTED ERROR.

## 9.4.7 MESSAGE REJECT Message

The file will take the following actions after receiving the MESSAGE REJECT message in response to messages listed below.

**DISCONNECT** The file will not disconnect but remains connected.

**COMMAND COMPLETE** No error, continue to bus free.

**IDENTIFY** Command aborted - bus freed - Sense data set to MESSAGE REJECT ERROR.

**LINKED CMD CMPLT** Command aborted - link broken - bus freed - sense data set to MESSAGE REJECT ERROR.

**MESSAGE REJECT** Command aborted - STATUS phase executed with CHECK CONDITION - sense data set to MESSAGE REJECT ERROR.

**RESTORE POINTERS** Command aborted - status set to CHECK CONDITION - sense will be set with the error that caused the RESTORE POINTERS message to be issued. (Assuming that error recovery is in progress)

**SAVE DATA POINTER** The file will not disconnect from the SCSI bus. It will not be considered an error.

**No previous Msg** The command is aborted, the bus freed, and Sense data is set to MESSAGE REJECT ERROR. This occurs when the file has not sent a message, but gets a MESSAGE REJECT from the initiator.



---

## 10.0 Additional Information

This chapter provides additional information or descriptions of various functions, features, or operating models supported by the Target that are not fully described in previous chapters.

---

### 10.1 SCSI Protocol

There are various operating conditions that prevent the Target from executing a SCSI command. This section describes each of these operating conditions and their relative priority.

#### 10.1.1 Priority of SCSI Status Byte Reporting

After establishing the I\_T\_L nexus or I\_T\_L\_Q nexus, the Target must first determine whether command execution is allowed. Execution is deferred until a later time if the command must be added to the command queue. Execution may also be prevented by an internal Target condition that requires the reporting of a Check Condition, Queue Full, Busy or Reservation Conflict Status. There are several different internal conditions to be active at the same time. The order in which the Target checks for each of these conditions determines their priority(highest priority first) as follows:

1. Check Condition status for invalid Logical Unit Number. (see 10.1.2, “Invalid LUN in Identify Message”)
2. Check Condition status for Incorrect Initiator Connection(see 10.1.3, “Incorrect Initiator Connection” on page 190)
3. Busy Status or Queue Full Status (see 10.1.4, “Command Processing During Execution of Active I/O process” on page 190)
4. Check Condition status for Unit Attention condition(see 10.1.5, “Unit Attention Condition” on page 193)
5. Check Condition status during Start-up and Format operations(see 10.1.6, “Command Processing During Start-up and Format Operations” on page 193)
6. Check Condition status for Deferred Error Condition(see 10.1.8, “Deferred Error” on page 194)
7. Reservation Conflict status(see 10.1.10, “Command Processing While Reserved” on page 201)
8. Check Condition status for invalid command opcode
9. Check Condition status for invalid command descriptor block

The highest priority internal condition that prevents command execution is reported by the Target, provided there is no bus error.

For all Check Conditions, Sense data is built by the target provided a valid LUN address is known. Sense data is cleared by the Target upon receipt of any subsequent command to the LUN from the initiator receiving the Check Condition.

#### 10.1.2 Invalid LUN in Identify Message

There are three different circumstances defined within the SCSI protocol when the response to an invalid LUN will occur. Each of these result in a different response.

### 10.1.2.1 Case 1 - Selection message sequence with Inquiry command

The INQUIRY command is a special case in SCSI. It is used to configure the bus when file IDs and LUNs are not known. The proper response is to return the inquiry data with a peripheral drive type of 1Fh which indicates that the specified LUN is not supported.

### 10.1.2.2 Case 2 - Selection message sequence with any other command

Any other commands, except REQUEST SENSE, return CHECK CONDITION status when an invalid LUN is specified in the message sequence following selection. In response to a REQUEST SENSE command the target shall return sense data. The sense key shall be set to ILLEGAL REQUEST and the additional sense code shall be set to LOGICAL UNIT NOT SUPPORTED.

### 10.1.2.3 Case 3 - After selection message sequence

It is permissible for the initiator to issue multiple IDENTIFY messages during a single command sequence provided to LUN remains the same. If the LUN is altered, the file goes to a Bus Free Phase.

## 10.1.3 Incorrect Initiator Connection

It is an Incorrect Initiator Connection error if any of the following occurs:

- an Initiator attempts to establish an I\_T\_L nexus when an I/O process (either queued or active) with an I\_T\_L nexus already exists from a previous connection with the same initiator.
- an Initiator attempts to establish an I\_T\_L\_Q nexus when an I\_T\_L nexus already exists from a previous connection with the same initiator.
- an Initiator attempts to establish an I\_T\_L nexus when an I\_T\_L\_Q nexus already exists from a previous connection with the same initiator.

**Note:** It is not an Incorrect Initiator Connection to send a command without a Queue tag message when sense is pending on the logical unit for the Initiator that issues the Request Sense command. (If the command is not Request Sense nor Inquiry, sense data is cleared at receipt of the command. )

- an Initiator attempts to establish an I\_T\_L\_Q nexus when an I/O process (either queued or active) with an I\_T\_L\_Q nexus already exists from a previous connection with the same initiator.

If any of the above errors occur, all queued I/O processes and active I/O processes associated with the issuing Initiator on the specified logical unit are terminated. The current I/O process is ended with a CHECK CONDITION status, the sense key is set to ABORTED COMMAND and the additional sense code is set to OVERLAPPED COMMANDS ATTEMPTED. Status is only returned for the current I/O process.

## 10.1.4 Command Processing During Execution of Active I/O process

When the Target is not executing any active I/O processes, a new I/O process is permitted to execute (unless execution is prevented by another internal Target condition listed in 10.1.1, “Priority of SCSI Status Byte Reporting” on page 189).

If an active I/O process does exist when the Target receives a new command, then the Target determines if:

- Check Condition Status with Sense Key = Aborted Command is returned for an Overlapped Commands Attempted error
- the command is permitted to execute
- the command is added to the command queue



- Queue Full Status is returned
- Busy Status is returned

If an active I/O process does exist when the Target receives a new command, then the Target determines how the new command should be handled based on the following rules:

- Check Condition Status is returned with Sense Key set to Aborted Command for an Overlapped Commands Attempted error if:
  - See 10.1.3, “Incorrect Initiator Connection” on page 190
- the command is permitted to execute if
  - the command is an Inquiry or Request Sense command
- Check Condition Status is returned with Sense Key set to Logical Unit Not Ready if:
  - the start-up operation or format operation is an active process.
- the command is permitted to execute if
  - the conditions to execute concurrently are met. (See 10.5, “Concurrent I/O Process” on page 204)
- the command is added to the command queue for an I\_T\_L nexus if:
  - no Queue Tag message was received during the connection which established the I/O process, and
  - disconnection is allowed for the current I/O process, and
  - there is no queued I/O process or active I/O process corresponding to the I\_T\_L nexus for the current I/O process, and
  - the command is not linked to a previous command.
- the command is added to the command queue for an I\_T\_L\_Q nexus if:
  - a Queue Tag message was received during the connection which established the I/O process, and
  - Tagged Queuing is enabled(DQue = 0), and
  - an I/O process(either active or queued) exists at the Target for this Initiator, and
  - disconnection is allowed for the current I/O process, and
  - there is no queued I/O process or active I/O process corresponding to the I\_T\_L\_Q nexus for the current I/O process, and
  - the command is not linked to a previous command.
- Queue Full Status is returned if:
  - the command would otherwise be queued (according to the rules described above) but the command queue is full and all slots are utilized, or
  - the command would otherwise be queued (according to the rules described above) but all of the available command queue slots not reserved for use by another initiator are utilized, or
  - Tagged Queuing is enabled(DQue = 0) and a Format Unit command was previously queued but has not yet begun execution, or
  - Tagged Queuing is enabled(DQue = 0) and a Start Unit command was previously queued but has not yet begun execution.
- Busy Status is returned if:
  - Tagged Queuing is disabled(DQue = 1) and a Format Unit command was previously queued but has not yet begun execution, or
  - Tagged Queuing is disabled(DQue = 1) and a Start Unit command was previously queued but has not yet begun execution, or

- the command would otherwise be queued (according to the rules described above) but disconnection is not allowed for the current I/O process, or

If a command is queued, command execution may still be prevented at a later time when the command is dequeued to become an active I/O process. This occurs if command execution is prevented by another internal Target condition listed in 10.1.1, “Priority of SCSI Status Byte Reporting” on page 189 at the time the command is dequeued.

## 10.1.5 Unit Attention Condition

The file will generate a unit attention condition for each initiator whenever:

- The file has been reset.  
This includes Power On Reset, SCSI Bus Reset, SCSI BUS DEVICE RESET message.
- The mode parameters in effect for this initiator has been changed by another initiator.
- The microcode has been changed.  
WRITE BUFFER command has been executed to download microcode. In this case, a unit attention condition is generated for all initiators except the one that issued the command.
- Commands are cleared by another initiator.  
This condition is generated against the initiator that has queued commands, if ...
  - Clear Queue Message is received.
  - Contingent Allegiance Condition is cleared when QERR (in Mode Page 0A) is 1.
  - DQue is set to 1 while queued command exist.

The unit attention condition persists for each initiator until that initiator clears the condition as described in the following paragraphs.

If the file receives a command from each initiator before reporting a CHECK CONDITION status for a pending unit attention condition for that initiator , the file's response varies with the command as follows.

**INQUIRY** The file executes the command with GOOD status and preserves the unit attention condition.

### **REQUEST SENSE**

If the file has an available pending sense data for the initiator, the file sends the pending sense data and preserves the unit attention condition for the initiator.

If the file does not have an available pending sense data for the initiator, the file sends sense data for the unit attention condition and clears the unit attention condition for the initiator.

**ALL OTHER** The file terminates the command with a CHECK CONDITION status and preserves the unit attention condition.

If the file receives a command from each initiator after reporting a CHECK CONDITION status for a pending unit attention condition for that initiator , the file's response varies with the command as follows.

**REQUEST SENSE** The file sends the sense data for a pending unit attention condition and returns GOOD status. And the file clears the unit attention condition for the initiator.

**ALL OTHER** The file executes the command with GOOD status and clears the unit attention condition unless another unit attention condition exists. And then the sense data for the unit attention condition is lost.

## 10.1.6 Command Processing During Start-up and Format Operations

If the Target receives a command from an Initiator while the Target is executing a start-up or format operation, The Target's response varies with the command as follows:

**INQUIRY** The file sends inquiry data and returns appropriate status.

**REQUEST SENSE** Executes the command, returns a Sense key of NOT READY and an Additional Sense Code of LOGICAL UNIT NOT READY and returns GOOD STATUS.

The Additional Sense Code Qualifier that is returned depends on type of I/O processes that are active:

For the START/STOP UNIT and the Auto-start operation, the qualifier returned is LOGICAL UNIT IS IN PROCESS OF BECOMING READY. For the FORMAT UNIT command, the qualifier returned is LOGICAL UNIT NOT READY,FORMAT IN PROGRESS, and the Sense key specific bytes are set to return the progress indication.

**ALL OTHER** The file terminates the command with CHECK CONDITION status. The Sense data generated is described in Request Sense above.

## 10.1.7 Internal Error Condition

The Target generates an Internal Error condition for all Initiators when:

- an internally initiated operation ends with an unrecoverable error. i.e. The start-up sequence for Auto Start enabled terminates after the SCSI bus has been enabled and prior to completion of the bring-up sequence.

An Internal Error condition causes Sense data to be generated and saved for all Initiators. The Error Code field of the Sense is set for a Current Error(70h) and the Sense Key is set to HARDWARE ERROR. Recovered errors are not reported.

The Internal Error condition persists for each Initiator until that Initiator clears the condition from the logical unit as described below. Several commands are handled as special cases during an Internal Error condition. These cases are also discussed.

If the Target receives a command from an Initiator while an Internal Error condition exists for that Initiator, the Target's response varies with the command as follows:

**INQUIRY** The file executes the command with GOOD status and do not clear the Internal Error condition.

**REQUEST SENSE** The file executes the command, return the sense data generated by the Internal Error condition, return Good Status, and clear the Internal Error condition for that Initiator.

**ALL OTHER** The file terminates the command with a CHECK CONDITION status and clear the Internal Error condition.

## 10.1.8 Deferred Error

Error code (71h) of sense data indicates that the Check Condition status returned is the result of an error or exception condition that occurred during execution of a previous command for which Good status has already been returned.

The drive creates an Deferred Error condition when :

- Execution of a Format Unit command with the immediate bit of one ends with an error.
- Execution of a Write command with WCE (Write Cache Enable) bit of one ends with an error.

## 10.1.9 Degraded Mode

There are certain errors or conditions which may impair the file's ability to function normally. Rather than fail hard, the file is designed to be as responsive as possible. Also, in most cases, some action on the part of the initiator may be used to restore normal operation. This mode of limited operation is called Degraded Mode.

There are 3 conditions in the Degraded Mode:

- Spindle Motor Degraded

This condition is caused by one of the following reasons:

- Spindle Motor is not started by the option jumper setting (Disable Auto Spin Up)
- Spindle Motor is delayed to start spinning up by the option jumper setting (Auto Start Delay)
- Spindle Motor was started (by POR or Unit Start command) and the Target is under Self Configuration.
- Spindle Motor Failed to start.
- Spindle Motor was stopped by Unit Stop command after the Target successfully completed the Self Configuration.

- Self Configuration Failure Degraded

This condition is caused by one of the following reasons:

- RAM Code, Configuration Sector Read Failure
- RAM Code, Configuration Sector Revision Mismatch

- Format Command Failure Degraded

This condition is caused when Format Unit command failed or was interrupted abnormally (Mode Page 0 byte 5 bit 4 FDD controls Format Degraded mode).

### 10.1.9.1 Response to SCSI Command in Degraded Mode

The following table shows the degraded mode status with acceptable commands and additional sense codes.

Command (w/Option)	Response
Request Sense	Executed. The Target may return Sense Key 02h (Not Ready) ASC/ASCQ 0402h (Initialize Command Required)
Inquiry (EVPD=0)	Executed.
Inquiry (EVPD=1)	Executed and Check Condition is returned with Sense Key 05h (Illegal Request) ASC/ASCQ 2400h (Invalid Field in CDB)
Test Unit Ready	Executed and Check Condition is returned with Sense Key 02h (Not Ready) ASC/ASCQ 0402h (Initialize Command Required)
Unit Start/Stop (Start)	Executed <ul style="list-style-type: none"> <li>- Success : Good Status is returned. Motor Degraded Mode is cleared.</li> <li>- Spindle Motor Start Failure : Check Condition with Sense Key 02h (Not Ready) ASC/ASCQ 0400h (Start Spindle Motor Fail)</li> <li>- Self Configuration Failure : Check Condition with Sense Key 02h (Not Ready) ASC/ASCQ 4080h (Diag Fail-Bring up Fail) Sense Key 02h (Not Ready) ASC/ASCQ 4085h (Diag Fail-RAM Code NOT load)</li> </ul>
Unit Start/Stop (Stop)	Executed. Good Status is returned. Motor Degraded Mode is NOT cleared.
Other Commands	Not Executed. Check Condition Status is returned with Sense Key 02h (Not Ready) ASC/ASCQ 0402h (Initialize Command Required)

Figure 144. Spindle Motor Degraded Mode - Disable Auto Start

Command (w/Option)	Response
Request Sense	Executed. The Target may return Sense Key 02h (Not Ready) ASC/ASCQ 0401h (In Process of Becoming Ready)
Inquiry (EVPD=0)	Executed.
Inquiry (EVPD=1)	Executed and Check Condition is returned with Sense Key 05h (Illegal Request) ASC/ASCQ 2400h (Invalid Field in CDB)
Test Unit Ready	Executed and Check Condition is returned with Sense Key 02h (Not Ready) ASC/ASCQ 0401h (In Process of Becoming Ready)
Unit Start/Stop (Start)	Executed <ul style="list-style-type: none"> <li>- Success : Good Status is returned. Motor Degraded Mode is cleared.</li> <li>- Spindle Motor Start Failure : Check Condition with Sense Key 02h (Not Ready) ASC/ASCQ 0400h (Start Spindle Motor Fail)</li> <li>- Self Configuration Failure : Check Condition with Sense Key 02h (Not Ready) ASC/ASCQ 4080h (Diag Fail-Bring up Fail) Sense Key 02h (Not Ready) ASC/ASCQ 4085h (Diag Fail-RAM Code NOT load)</li> </ul>
Other Commands	Not Executed. Check Condition Status is returned with Sense Key 02h (Not Ready) ASC/ASCQ 0401h (In Process of Becoming Ready)

Figure 145. Spindle Motor Degraded Mode - Auto Start Delay/Spinning Up

Command (w/Option)	Response
Request Sense	Executed. The Target may return Sense Key 02h (Not Ready) ASC/ASCQ 0400h (Start Spindle Motor Fail)
Inquiry (EVPD=0)	Executed.
Inquiry (EVPD=1)	Executed and Check Condition is returned with Sense Key 05h (Illegal Request) ASC/ASCQ 2400h (Invalid Field in CDB)
Test Unit Ready	Executed and Check Condition is returned with Sense Key 02h (Not Ready) ASC/ASCQ 0400h (Start Spindle Motor Fail)
Unit Start/Stop (Start)	Executed <ul style="list-style-type: none"> <li>- Success : Good Status is returned. Motor Degraded Mode is cleared.</li> <li>- Spindle Motor Start Failure : Check Condition with Sense Key 02h (Not Ready) ASC/ASCQ 0400h (Start Spindle Motor Fail)</li> <li>- Self Configuration Failure : Check Condition with Sense Key 02h (Not Ready) ASC/ASCQ 4080h (Diag Fail-Bring up Fail) Sense Key 02h (Not Ready) ASC/ASCQ 4085h (Diag Fail-RAM Code NOT load)</li> </ul>
Unit Start/Stop (Stop)	Executed. Good Status is returned. Motor Degraded Mode is NOT cleared.
Other Commands	Not Executed. Check Condition Status is returned with Sense Key 02h (Not Ready) ASC/ASCQ 0400h (Start Spindle Motor Fail)

Figure 146. Spindle Motor Degraded Mode - Spindle Start Failure



Command (w/Option)	Response
Request Sense	Executed. The Target may return Sense Key 02h (Not Ready) ASC/ASCQ 0402h (Initialize Command Required)
Inquiry (EVPD=0)	Executed.
Inquiry (EVPD=1)	Executed.
Test Unit Ready	Executed and Check Condition is returned with Sense Key 02h (Not Ready) ASC/ASCQ 0402h (Initialize Command Required)
Unit Start/Stop (Start)	Executed <ul style="list-style-type: none"> <li>- Success : Good Status is returned. Motor Degraded Mode is cleared.</li> <li>- Spindle Motor Start Failure : Check Condition with Sense Key 02h (Not Ready) ASC/ASCQ 0400h (Start Spindle Motor Fail)</li> <li>- Self Configuration Failure : Check Condition with Sense Key 02h (Not Ready) ASC/ASCQ 4080h (Diag Fail-Bring up Fail) Sense Key 02h (Not Ready) ASC/ASCQ 4085h (Diag Fail-RAM NOT load)</li> </ul>
Unit Start/Stop (Stop)	Executed. Good Status is returned. Motor Degraded Mode is NOT cleared.
Other Commands	Not Executed. Check Condition Status is returned with Sense Key 02h (Not Ready) ASC/ASCQ 0402h (Initialize Command Required)

Figure 147. Spindle Motor Degraded Mode - Spindle Stopped by Unit Stop Command

Command (w/Option)	Response
Request Sense	Executed. The Target may return Sense Key 02h (Not Ready) ASC/ASCQ 4080h (Diag Fail-Bring up Fail) Sense Key 02h (Not Ready) ASC/ASCQ 4085h (Diag Fail-RAM Code NOT load)
Inquiry (EVPD=0)	Executed.
Inquiry (EVPD=1)	Executed and Check Condition is returned with Sense Key 05h (Illegal Request) ASC/ASCQ 2400h (Invalid Field in CDB)
Test Unit Ready	Executed and Check Condition is returned with Sense Key 02h (Not Ready) ASC/ASCQ 4080h (Diag Fail-Bring up Fail) Sense Key 02h (Not Ready) ASC/ASCQ 4085h (Diag Fail-RAM Code NOT load)
Unit Start/Stop (Start)	Executed - Success : Good Status is returned. Motor Degraded Mode is cleared. - Spindle Motor Start Failure : Check Condition with Sense Key 02h (Not Ready) ASC/ASCQ 0400h (Start Spindle Motor Fail) - Self Configuration Failure : Check Condition with Sense Key 02h (Not Ready) ASC/ASCQ 4080h (Diag Fail-Bring up Fail) Sense Key 02h (Not Ready) ASC/ASCQ 4085h (Diag Fail-RAM Code NOT load)
Write Buffer (Download and Save)	Executed. - Success : Good Status is returned. Motor Degraded Mode is cleared. - Self Configuration Failure : Check Condition with Sense Key 02h (Not Ready) ASC/ASCQ 4080h (Diag Fail-Bring up Fail) Sense Key 02h (Not Ready) ASC/ASCQ 4085h (Diag Fail-RAM Code NOT load)
Other Commands	Not Executed. Check Condition Status is returned with Sense Key 02h (Not Ready) ASC/ASCQ 4080h (Diag Fail-Bring up Fail) Sense Key 02h (Not Ready) ASC/ASCQ 4085h (Diag Fail-RAM Code NOT load)

Figure 148. Self Configuration Failure Degraded Mode

Command (w/Option)	Response
Request Sense	Executed. The Target may return Sense Key 02h (Not Ready) ASC/ASCQ 3100h (Format Corrupted) Sense Key 03h (Medium Error) ASC/ASCQ 3100h (Format Corrupted)
Inquiry (EVPD=0)	Executed.
Inquiry (EVPD=1)	Executed.
Test Unit Ready	Executed and Check Condition is returned with Sense Key 03h (Medium Error) ASC/ASCQ 3100h (Format Corrupted)
Format Unit	Executed - Success : Good Status is returned. Format Degraded Mode is cleared. - Failure : Check Condition Status is returned and Format Degraded Mode is NOT cleared.
Other Commands	Not Executed. Check Condition Status is returned with Sense Key 03h (Medium Error) ASC/ASCQ 3100h (Format Corrupted)

Note: Mode Page 0 byte 5 bit 4 (FDD) = 0

Figure 149. Format Command Failure Degraded Mode

### 10.1.10 Command Processing While Reserved

A logical unit is reserved after successful execution of the Reserve command. Each time a Reserve command is executed successfully, the Target records the SCSI ID of the Initiator that made the reservation and the SCSI ID of the Initiator that is to receive the reservation. This information is needed to determine whether subsequent commands should be permitted or if the Reservation Conflict Status should be reported. The Initiator that made the reservation is the Initiator that issued the Reserve command. The Initiator to receive the reservation may be either the same or a different Initiator(third-party reservation).

If the logical unit is reserved when a new command is received, the Target examines the command opcode and the SCSI ID of the issuing Initiator to determine whether a Reservation Conflict Status should be returned based on the following rules:

1. If the issuing Initiator is the one that made the reservation and also the one to receive the reservation then:
  - All commands are permitted.
2. If the issuing Initiator is neither the one that made the reservation nor the one to receive the reservation then:
  - A Request Sense or Inquiry command is permitted.
  - A Release command is permitted but is ignored.
  - Any other command results in a Reservation Conflict Status.
3. If the issuing Initiator is the one that made the reservation but is not the one to receive the reservation then:
  - An Inquiry, Request Sense, Reserve, or Release command is permitted.
  - Any other command results in a Reservation Conflict Status.

4. If the issuing Initiator is not the one that made the reservation but is the one to receive the reservation then:
- An Reserve command results in a Reservation Conflict Status.
  - A Release command is permitted but is ignored.
  - Any other command is permitted.

If a Reservation Conflict Status is not reported and the command is permitted, then the Target checks the next highest priority internal condition to determine whether execution is allowed. See 10.1.1, “Priority of SCSI Status Byte Reporting” on page 189

---

## 10.2 Priority Commands

Certain SCSI commands always execute without returning a Busy Status, Reservation Conflict Status in response to the command. These commands are:

- Inquiry
- Request Sense

These commands do not disconnect from the SCSI bus prior to completion. They are executed prior to attempting to complete the execution of any other pending command that has disconnected from the SCSI bus. Therefore, a second priority command cannot be received during the execution of a priority command.

These commands are never queued whether or not the command is sent with a queue tag. However, the rule for an Incorrect Initiator Connection still apply to priority commands.(see 10.1.3, “Incorrect Initiator Connection” on page 190)

---

## 10.3 Command queuing

When the initiator specifies that the file shall disable command queuing, the initiator must send only untagged command. When the initiator specifies that the target shall enable command queuing, the initiator may send either tagged or untagged command, but shall not use both at the same time.

The following commands are never queued and will be immediately executed without Bus disconnection

- Priority Commands(i.e.: Request Sense and Inquiry)
- Commands linked to previous commands. These are defined to be part of a single I/O process. (Linked commands are always executed immediately following the previous command from the same initiator. No other Initiator's command are allowed to be executed between two linked commands.)
- Commands for which disconnection is not allowed.(These may result in a Busy Status.)
- Commands in which a SCSI bus error occurred between selection and first disconnection following the receipt of the CDB.
- Commands for an invalid LUN.
- Commands which cause an OVERLAPPED COMMANDS ATTEMPTED error (see 10.1.3, “Incorrect Initiator Connection” on page 190).

### 10.3.1 Queue depth

Any initiator can queue at least one command at any time irrespective of the actions of any other initiators in the system. A single initiator may queue up to 64 commands, if no other initiator has more than one command in the queue, although at times this maximum may be reduced as the file can reserve command blocks for internal use.

### 10.3.2 Tagged queuing

Commands with a tag message are saved in the command queue. Queued commands will be reordered by the target defined rule. See the section on Reordering 10.4, "Command reordering" on page 204 for details.

### 10.3.3 Untagged queuing

The target supports queuing one I/O process from each initiator. If the target receives an untagged I/O process while executing an I/O process from a different initiator, the untagged I/O process may be queued.

Untagged I/O processes are treated by the target as though they were received with Simple Queue Tag messages for purposes of queuing.

**Note:** There is no guarantee that I/O processes are executed in the order they were received in a multiple initiator environment when Untagged Queuing is enabled.

### 10.3.4 Command queuing rule

Commands can be received during an active I/O process if Bus is free. If CPE (concurrent process enable) bit of Mode page 0 is 0, only a single command except 2 commands (Inquiry and Request Sense) can be executed at the same time. In that case, a command starts to be executed after the previous command has completed. If CPE (concurrent process enable) bit of Mode page 0 is 1, I/O processes of Read(6), Read extend(10), Write(6) and Write extend(10) can be active at the same time. See 10.5, "Concurrent I/O Process" on page 204 for details.

### 10.3.5 Queue Full status

This status is returned when a Simple Queue tag, Ordered Queue tag or Head of Queue tag message is received and the command queue is full. The I/O process is not placed in the command queue. Since one queue element is reserved for each initiator, any untagged command that doesn't cause Incorrect Initiator Connection will not cause Queue Full status.

### 10.3.6 Device behavior on Command queuing

1. Initiators must send a Queue tag immediately after the Identify message in Message Out phase just after Selection. Targets send a simple queue tag immediately after the Identify message in Message In phase just after Reselection.
2. Each initiator can issue either one of tagged command or untagged command exclusively at the same time. There can exist other initiator using the other.
3. When DQue (Disable queue) of mode page 0Ah is 1, if an initiator issues a tagged command, the drive returns "Message Reject" message (07h) and receives that command as an untagged command.
4. Queue Tag number doesn't affect the order to execute.
5. An initiator issues a command with a queue tag which is same as the current I/O process or queued I/O process, the target returns Incorrect Initiator connection.

6. A series of linked commands are a single I/O process, and are assigned the queue tag established in the initial selection. A command received with a Head-of-Queue tag message shall not suspend a series of linked commands for which the target has begun execution.
7. If DQue is changed to 1 while queued commands exist, all queued commands for the all initiators will be aborted. All future commands received, from any initiator, with a queue tag will be processed as untagged commands, with a message reject message being returned immediately after the qtag is received by the target.

---

## 10.4 Command reordering

Command reordering function is supported under tagged command queuing enabled (DQue = 0). The reorder feature reorders Read/Write commands in order to minimize seek time between commands. This function will improve total thruput of the drive.

---

## 10.5 Concurrent I/O Process

The Concurrent I/O process is that plural I/O processes are active (not queued) on the same logical unit at the same time. The target may start the data phase of an I/O process while another I/O process is not completed. The following I/O processes are allowed to executed concurrently.

- Unlinked and untagged Request Sense and Inquiry during execution of other commands.
- When CPE (Concurrent process enable) bit is 1, one of the following commands can be executed during another one or the same one of the following commands is being executed, if those are untagged or simple tagged commands.
  - Read(6), Read extend(10)
  - Write(6), Write extend(10)

When an I/O process ends in Check Condition Status, the drive enters the Contingent Allegiance Condition and other queued I/O processes from all initiators on the same logical unit will not reconnect and will not complete the execution until the sense data is cleared. See 10.16, “Contingent allegiance Condition” on page 209 for details. If an I/O process (P-1) encounters an error while another I/O process (P-2) is active, the drive returns Check Condition to P-1 and P-2. The drive may continue P-2 until its convenient point to suspend, but may not send a Status. After the initiator clears the Contingent Allegiance condition, the drive will resume or terminate P-2 according to QErr bit of Control mode page.

If the drive gets an error of P-2 before suspending the execution of P-2, it will keep the sense data separately from the sense data for P-1. The sense data for P-2 will be set after the Contingent Allegiance condition caused by P-1 is cleared.

---

## 10.6 Back to Back Write

Back to Back Write allows plural write commands requesting sequential LBAs to be written without losing a motor revolution.

---

## 10.7 Write Cache

If the WCE (Write cache enable) bit is 1, the drive returns Good Status and Command Complete message and goes to Bus Free immediately after receiving the data of the last sector before actually writing the data onto the media.

If the drive detects an error after it returns a Good Status, the drive sets a Differed Error (Error Code of sense data = 71h) and a following command will be returned with Check Condition and the Contingent allegiance condition is established. Under the Contingent allegiance condition, all queued processes including commands from other initiators are suspended.

---

## 10.8 Power Saving Mode

Power save function will save power consumption while the drive is idle. The drive automatically transfers its operating mode according to the event and timer.

---

## 10.9 Automatic Rewrite/Reallocate

The target supports Auto and Recommended Reallocate for READ, WRITE, WRITE VERIFY and VERIFY.

Automatic and Recommend Reallocate operate from within the read/write command. When an automatic reallocation occurs, the read or write command takes longer to complete.

This operation is sometimes referred to as autoreassignment due to it's similarity to the operation performed by the reassign command.

Following is a description of the target behavior for each setting of ARRE. ARRE setting effects all data errors.(No Sector Found, Data Sync Byte Errors and Data ECC Errors.)

**ARRE=1 :** An error site determined to need rewriting or reallocation during a read is automatically rewritten or reallocated at the conclusion of the read and prior to sending the status. The site will be automatically rewritten or reallocated only if the data has been successfully read.

**ARRE=0 :** An error site determined to need rewriting or reassignment during a read is recommended for rewriting or reassignment at the conclusion of the read.

The setting of the ARRE bit is checked and the target will automatically rewrite/reallocate or recommend rewrite/reassign for the following commands.

- Read(6)
- Read(10)
- Verify
- Verify Portion of Write and Verify

For all other commands the ARRE setting is ignored and the target will not automatically rewrite/reallocate or recommend rewrite/reassign.

Following is a description of the target behavior for each setting of AWRE. AWRE setting effects only No Sector Found Errors on writes.

**AWRE=1 :** An error site determined to need reassignment during a write is automatically reallocated at the conclusion of the write and prior to sending the status. The site will be automatically reallocated only if the write recovery succeeded at the conclusion of the write.

**AWRE=0 :** An error site determined to need reassignment during a write is recommended for reassignment at the conclusion of the write.

The setting of the AWRE bit is checked and the target will automatically reallocate or recommend reassign for the following commands.

- Write(6)
- Write(10)
- Write portion of Write and Verify

For all other commands the AWRE setting is ignored and the target will not automatically reallocate or recommend reassign.

Auto/Recommend Reallocate information is communicated via the sense data returned following a command during which a site was determined to need rewriting or reassignment. The LBA returned in the sense data is the LBA that determined to need rewriting or reassignment.

The sense data combinations with auto/recommend rewrite/reallocate are listed below.

Key	Code	Qual	Description
1	17	01	Recovered Data with retries.
1	17	06	Recovered Data without ECC - Auto Reallocated.
1	17	07	Recovered Data without ECC - Recommend Reassign.
1	17	09	Recovered Data without ECC - Data Rewritten.
1	18	00	Recovered Data with ECC.
1	18	02	Recovered Data with ECC - Auto Reallocated.
1	18	05	Recovered Data with ECC - Recommend Reassign.
1	18	07	Recovered Data with ECC - Data Rewritten.



---

## 10.10 Segmented Caching

### 10.10.1 Overview

Segmented Caching divides the data buffer into several smaller buffers. Each buffer is used as Read/Write/Read-Ahead buffer.

### 10.10.2 Read Ahead

The Read Ahead function consists of reading data that the Initiator has not yet requested to the file buffer. This function is intended to improve performance for an initiator that frequently accesses sequential data with successive SCSI read commands. The Read Ahead function works when RCD (the read cache disable) bit of read cache page (page 08h) is set to 0.

The drive initiates the Read ahead function when

- RCD is 0, and
- Read(6), Read extended(10), Read Verify, and Write and Verify is received, and
- The consecutive LBA of the requested LBA is not available on the buffer.

If SCSI reset or bus device reset message is received, all contents of segmented buffer is flushed.

Even if an error occurs during Read ahead, the error will not be reported to the Initiator. The data read before the error occurs will be stored as a valid data by Read ahead.

---

## 10.11 Reselection Timeout

If reselection fails, depending on the file model, it will be retried 1 or more times. Please see the model specific specifications for the number of retries allowed.

---

## 10.12 Single Initiator Selection

For single initiator systems, it is not an error to have only the target ID bit present during selection. Disconnection is not allowed for Single Initiator Selection with only one ID bit present during selection. The initiator must not send an Identify message with the disconnect permission bit(6) on.

---

## 10.13 Non-arbitrating systems

The Target cannot detect whether other SCSI devices on the SCSI bus use arbitration prior to selection. As a consequence, the Target allows disconnect permission to be enabled by the Identify message independent of the initiators use of arbitration prior to selection. A non-arbitrating initiator must ensure that disconnect permission in the Identify message is disabled (bit 6=0) for proper operation.

---

## **10.14 Selection without ATN**

If the target is selected without ATN signal active, no Identify message is received from the initiator. In this case, the LUN is identified from the CDB and disconnect permission is disabled. The target does not perform any phase retries. The target still responds to a subsequent attention condition. However, the LUN is not considered to be known if a fatal error is detected during the Command phase. That is a Command phase parity error or a fatal message error in response to attention condition during Command phase is handled as a Bus Free error with no sense data. The target also knows the use of linked commands if selected without ATN.

Phase retries may be allowed if a subsequent Identify message is received.

---

## **10.15 Multiple Initiator Environment**

### **10.15.1 Initiator Sense Data**

Separate sense data is reserved for each I-T-L. Each sense data is maintained independent of commands from other initiators.

### **10.15.2 Initiator Mode Select/Mode Sense Parameters**

A single shared copy of the Mode Select/Mode Sense parameters is maintained by the file. This includes both the current and saved parameters.

### **10.15.3 Initiator Data Transfer Mode Parameter**

A separate data transfer mode parameters area is reserved and maintained for each initiator.

---

## 10.16 Contingent allegiance Condition

The contingent allegiance condition shall exist following the return of Check Condition, except Check Condition caused by Invalid LUN. Execution of all queued commands shall be suspended until the contingent allegiance condition is cleared.

The contingent allegiance condition can be cleared by the initiator in one of the following ways:

- By issuing a REQUEST SENSE command to the Target and receiving the sense data. This is most recommended way.
- By issuing any other command to the I\_T\_x nexus that reported the fault.
- By issuing an Abort message to the I\_T\_x nexus that reported the fault. This will also abort the current and queued I/O process from that initiator.
- By issuing a Bus Device Reset message to the Target. This will also abort all current and queued I/O processes.
- By generating a RESET condition on the bus. This **MUST** be the last resort.

---

## 10.17 Reset

The Reset condition is used to clear all SCSI devices from the bus. This condition takes precedence over all other phases and conditions. After a reset condition is detected and the reset actions completed, the target returns to a 'SCSI bus enabled' state that allows the target to accept SCSI commands.

This device uses the Hard reset option as defined in the SCSI-2 standard.

### 10.17.1 Reset Sources

There are four sources of resets detected by the target:

Reset Name	Reset Source
<b>Power-On Reset</b>	This is the signal generated by the hardware at initial power-on
<b>Self-Initiated reset</b>	This is a software-generated reset that occurs when a catastrophic error is detected by the microcode.
<b>SCSI Bus Reset</b>	This is a reset generated when the SCSI bus control line RST goes active.
<b>SCSI Bus Device Reset Message</b>	This is the reset generated by the SCSI Bus Device Reset Message(0Ch).

### 10.17.2 Reset Actions

The action taken by the Drive following a reset is dependent on the source of the reset.

#### 10.17.2.1 Power-On reset and Self-Initiated reset

These two reset conditions cause the following to be performed in the order shown.

1. A power-up sequence
2. A start-up sequence is necessary to put the Drive in a ready state

#### 10.17.2.2 SCSI Bus reset and SCSI Bus Device Reset message

These two reset conditions cause the following to be performed.

- If reset goes active while the power-up sequence is in progress, the power-up sequence is started over.
- If the Auto Start pin is grounded and a start-up sequence has not yet completed, a start-up sequence will be re-attempted from the beginning.

**Note:** The power-up sequence, having already completed, is not rerun.

- If reset occurs while a physical sector is being written, the write operation is disabled after the current physical sector is written. Data is not lost as long as power stays valid until the physical sector being written is completed.

---

## 10.18 Diagnostics

The file will execute a self test at power on or when a Send Diagnostics command is issued with the self test bit set.

The diagnostics are to assure the correct operation of the file and to verify that the check circuits detect fault conditions.

### 10.18.1 Power on Diagnostics

At power on time the following tests are executed:

1. Test the microprocessor's internal RAM.
2. Test the HDC.
3. Do a read/write test on sector buffer RAM.
4. Check if the 12 volt line is active.
5. Initialize and check the servo system is functioning correctly.
6. Check the spindle's RPM.
7. Seek to a correct cylinder.

### 10.18.2 Diagnostics Command

The tests executed as a result of the Send Diagnostics command with the self test bit set to a one differs from the tests executed at power on. The spindle motor must be at the correct speed for the Diagnostics command to be executed. If the motor is not at the correct speed, a NOT READY status will be returned in the sense byte.

The Diagnostics command will execute the following tests:

1. Test the adapter section of the file as follows:
  - a. Assure the ECC circuits work correctly.
  - b. Do a read/write test on sector buffer RAM.
2. Check the spindle's RPM.
3. Seek to a correct cylinder.
4. Write the certain area in reserved area.
5. Read from the area.

### 10.18.3 Diagnostics Fault Reporting

Faults detected before successful completion of the adapter section could prevent the file from responding to a selection.

Faults detected after the successful completion of the adapter section will be reported as Check Condition status to the initiator on the first command issued after a fault is detected except for the Inquiry command. The Inquiry command will always respond with good status. Detecting a fault during power on will not terminate execution of the diagnostics nor will it terminate the power on process.

Faults detected during a Send Diagnostics command will report a Check Condition as end status.

---

## 10.19 Idle Time Functions

### 10.19.1.1 Automatic Drive Maintenance (ADM)

Enable and disable of ADM function is in control of Mode Page 0, and the **shipping default is disable**.

ADM function is equipped to enhance the reliability in continuous usage. ADM function is to perform a CSS automatically after detection of idling time for 1 minute at intervals of 1 week.

Drive response during the CSS by ADM is as follows.

- Sense and Inquiry SCSI Commands are executed without delay.
- Command other than the above will be completed as quickly as possible (max 10 sec delay over normal execution time) - if drive is spinning down when command received it will go to spin up immediately. After completion of the command, then CSS is re-started after detection of idle time for 1 minute.

### 10.19.1.2 Save Log/PFA Counter

The drive periodically saves data in logs in the reserved area of the disks. The information is used by the drive to support various SCSI commands and for the purpose of failure analysis. Log/PFA counters are saved if the drive has not received a SCSI command for 1 hour.

### 10.19.1.3 Patrol Seek (Forced Seek)

The heads are moved to another area of the disk if the drive has not received a SCSI command for at least 10 minutes. Execution time is less than 1 full stroke seek.

### 10.19.1.4 Summary

---

Idle Time Function	Period of Occurrence	Duration	Method to Disable
ADM	Once a Week	18 sec	DADM (Mode page 0) Re-instruction Period
Save Log/PFA	After 60 minutes of idle time	60 msec	DEXCPT (Mode page 1C) Re-instruction Period
Patrol Seek	After 10 minutes of idle time	16 msec	Re-instruction Period

"Re-instruction Period" is the time between consecutive SCSI command requests.

---

Figure 150. Summary of Idle Time Functions

## 11.0 SCSI SENSE DATA

### 11.1 SCSI Sense Data Format

Format of the sense data returned by the file in response to the REQUEST SENSE command.

	BIT							
	7	6	5	4	3	2	1	0
BYTE 0	Valid	Error Code (70h or 71h)						
BYTE 1	RSVD = 0							
BYTE 2	0	ILI	0	Sense Key				
BYTE 3 - 6	(MSB) Information Bytes							(LSB)
BYTE 7	Additional Sense Length							
BYTE 8 -11	(MSB) Product Specific Information							(LSB)
BYTE 12	Additional Sense Code							
BYTE 13	Additional Sense Code Qualifier							
BYTE 14	FRU = 0							
BYTE 15	SKSV	Sense-Key Specific Bits						
BYTE 16 BYTE 17	Sense-Key Specific Bytes							
BYTE 18 -19	Reserved = 0							
BYTE 20 -23	Vender unique Error information							
BYTE 24 -29	Product Specific Information							
BYTE 30 -31	Reserved = 0							

Figure 151. Format of Sense Data. Format of the Sense Data returned by the file in response to the REQUEST SENSE command

---

## 11.2 Sense Data Description

### 11.2.1 Valid (Bit 7 of byte 0)

- 0 The Information Bytes (byte 3 thru 6) are not defined.
- 1 The Information Bytes (byte 3 thru 6) contain a valid logical block address.

### 11.2.2 Error Code (Bit 6 - 0 of byte 0)

- 70h** Current Error. This indicates an error for the current command.
- 71h** Deferred Error. This indicates that the error is for a previous command that has already returned a good status. Such commands are associated with the immediate bit, or write caching.  
Format unit (04h) command is an example of a command that may return a deferred error.

### 11.2.3 ILI : Incorrect Length Indicator (Bit 5 of byte 2)

The ILI bit is valid for the Read Long (3Eh) command and Write Long (3Fh) command only. ILI set to 1 and Valid Bit set to 1 indicates that the requested logical block length does not match the logical block length of the data on the medium for a Read Long or Write Long command. The Information field contains residue information about the error. ILL set to 0 indicates there is no incorrect length condition.

- 0 No Incorrect Length condition.
- 1 Incorrect Length Indicated.

### 11.2.4 Sense Key (Bit 3 - 0 of byte 2)

The sense key provides generic categories in which error and exception conditions can be reported. Initiators would typically use sense keys for high level error recovery procedures.

- 0h No Sense**  
There is no sense key information to be reported for the logical unit.
- 1h Recovered Error**  
The last command completed successfully with some recovery action performed by the file. More detailed information is available in the Additional Sense Code and Additional Sense Code Qualifier.
- 2h Not Ready**  
The logical unit addressed cannot be addressed. More detailed information is available in the Additional Sense Code and Additional Sense Code Qualifier.
- 3h Medium Error**  
The command terminated with an unrecoverable error condition caused by a flaw in the media or an error in the recorded data. More detailed information is contained in the Additional Sense Code and Additional Sense Code Qualifier.
- 4h Hardware Error**  
The file detected a unrecoverable hardware error while performing a command or during a diagnostic test. More detailed information is contained in the Additional Sense Code and Additional Sense Code Qualifier.
- 5h Illegal Request**  
There was an illegal parameter in the command descriptor block or additional parameter supplied as data. If an invalid parameter is found in the CDB, then the command is termi-



nated without altering the medium. If an invalid parameter is found in parameters supplied as data, then the file might have altered the medium.

**6h Unit Attention**

Indicates that the file entered in the 'Unit Attention Condition'. (See 10.1.5, "Unit Attention Condition" on page 193.)

**7h-8h Not used**

**9h Vendor Specific**

**Ah Not used**

**Bh Aborted command**

The file aborted the command.

**Ch-Dh Not Implemented**

**Eh Not Used**

**Fh Reserved**

## 11.2.5 Information Bytes (Byte 3 thru 6)

This field is only valid when Valid Bit is one.

- LIL = 0 : This field contains the unsigned LBA associated with the sense key. The LBA reported will be within the LBA range of the command as defined in the CDB.

**Note:** An LBA other than the command LBA may be reported on the Reassign Block (07h) command.

- LIL = 1 : This field contains the difference (residue) of the requested length in bytes. Negative values are indicated by two's complement notation.

## 11.2.6 Additional Sense Length (Byte 7)

Indicates the remaining number of bytes in the sense data. (It is always set to 18h.)

## 11.2.7 Command Specific Information (Byte 8 thru 11)

The values in this field vary with products. Please see the product specific specification for more details.

## 11.2.8 Additional Sense Code/Qualifier (Byte 12 and 13)

The following table shows the description of the combination of Sense Key / Sense Code / Qualifier.

Key	Code	Qual	Description
0	00	00	No error.
0h	5Dh	00h	No sense. Predictive Failure Analysis threshold reached.
1h	01h	00h	Recovered write error no index
1h	02h	00h	Recovered no seek comp
1h	03h	00h	Recovered write error. Write fault.
1h	0Bh	01h	Temperature Warning.
1h	0Ch	01h	Recovered write error with Auto-reallocation. Auto Reallocated.
1h	0Ch	03h	Recovered write error. Recommend Reassign.
1h	14h	01h	Recovered Record Not Found.
1h	16h	00h	Recovered write error DAM not found
1h	17h	01h	Recovered read error with retries.
1h	17h	06h	Recovered read error without ECC applied. Auto reallocated.
1h	17h	07h	Recovered read error without ECC applied. Recommended reassign. This value can be returned only when ARRE = 0.
1h	17h	09h	Recovered read error without ECC applied. Data re-written. This value can be returned only when ARRE = 1.
1h	18h	00h	Recovered read error with ECC applied. This value can be returned only when ARRE = 0.
1h	18h	02h	Recovered read error with ECC applied. Auto reallocated.
1h	18h	05h	Recovered read error with ECC applied. Recommended reassign.
1h	18h	07h	Recovered read error with ECC applied. Data Rewritten.
1h	1Ch	01h	Primary Defect List Not Found. Requested Defect List Format is not supported. Default List Format is returned.(Read Defect Data Only)
1h	1Ch	02h	Grown Defect List Not Found. Requested Defect List Format is not supported. Default List Format is returned.(Read Defect Data Only)
1h	1Fh	00h	Partial Defect List Transferred. Defect list longer than 64KB, 64KB of data returned. (Read Defect Data Only)
1h	44h	00h	Internal target failure.
1h	81h	00h	Internal logic error.
1h	5Dh	00h	Predictive Failure Analysis threshold reached.
1h	5Dh	FFh	Predictive Failure Analysis Test Warning.
2h	04h	00h	Not ready. Start spindle motor fail.
2h	04h	01h	Not ready. In process of becoming ready.
2h	04h	02h	Not ready. Initializing command required. (Start Unit)
2h	04h	04h	Not ready. Format in progress.

Key	Code	Qual	Description
2h	31h	00h	Not ready. Media format corrupt.
2h	40h	80h	Diag Fail - Bring-Up Fail.
2h	40h	85h	Diag Fail - RAM Microcode Not Loaded.
3h	03h	00h	Medium error. Write fault.
3h	0Ch	03h	Medium error. Recommend Reassign.
3h	10h	00h	Medium error. ID CRC error.
3h	11h	00h	Medium error. Unrecovered read error.
3h	14h	01h	Medium error. Record not found.
3h	16h	00h	Medium error. Data synchronization mark error. (DAM error)
3h	19h	00h	Medium error. Defect list error. A defect list error occurs when a data error is detected while reading the manufacturing defect list or while reading or writing the grown defect list.
3h	31h	00h	Medium error. Medium Format Corrupted.
4h	02h	00h	Hardware Error. No seek complete.
4h	11h	00h	Hardware Error. Unrecovered read error in reserved area.
4h	19h	00h	Hardware Error. Defect list error.
4h	32h	00h	Hardware Error. No defect spare location available. A "no defect spare location available sense code" indicates that the Reassign Block command can not proceed the process because all spare sectors have been used, or it will exceed implementation limitation of defect handling of the file.
4h	40h	80h	Degrade Mode. Diagnostic Fail. Configuration sector valid check fail. Reserved area sector valid check fail.
4h	40h	85h	Degrade Mode. RAM Microcode Not Loaded.
4h	44h	00h	Hardware Error. Buffer CRC Error on Write.
4h	81h	00h	Hardware Error. Internal logic error.
5h	1Ah	00h	Illegal request. Parameter list length error. The number of parameters supplied is not equal to the value the expected.
5h	20h	00h	Illegal request. Illegal command operation code. This command is also returned when an unsupported command code is received.
5h	21h	00h	Illegal request. Logical block address out of range.
5h	24h	00h	Illegal request. Invalid field in CDB.
5h	25h	00h	Illegal request. Invalid lun.
5h	26h	00h	Illegal request. Invalid fields in the parameter list.
6h	28h	00h	Unit attention. Not ready to ready transition.(Format completed)
6h	29h	01h	Unit attention. Power On Reset occurred.
6h	29h	02h	Unit attention. SCSI Bus Reset occurred.
6h	29h	03h	Unit attention. Bus Device Reset occurred.
6h	29h	04h	Unit attention. Self Initiated Reset occurred.

<b>Key</b>	<b>Code</b>	<b>Qual</b>	<b>Description</b>
6h	29h	05h	Unit attention. Tranceiver mode change to SE.
6h	29h	06h	Unit attention. Tranceiver mode change to LVD.
6h	2Ah	00h	Unit attention. Parameters changed.
6h	2Ah	02h	Unit attention. Log select parameters changed.
6h	2Fh	00h	Unit attention. Command cleared by another initiator.
6h	3Fh	01h	Unit attention. Micro code has been changed.
6h	5Dh	00h	Predictive Failure Analysis threshold reached on
6h	5Dh	FFh	Predictive Failure Analysis Test Warning
Bh	00h	00h	Aborted command. No additional sense code.
Bh	1Bh	00h	Aborted command. Synchronous data transfer error. (Extra ack detected)
Bh	25h	00h	Aborted command. Unsupported LUN. The drive supports LUN 0 only.
Bh	43h	00h	Aborted command. Message reject error. A message reject error occurs when an inappropriate or unexpected message reject is received from the initiator or the initiator rejects a message twice.
Bh	44h	00h	Aborted command. Buffer CRC Error on Read.
Bh	45h	00h	Aborted command. Selection/Reselection failed. A selection/reselection error occurs when the initiator fails to respond to a reselection within 250 milliseconds after the drive starts reselection. The reselection is attempted a second time before setting selection/reselection failed sense code.
Bh	47h	00h	Aborted command. SCSI parity error.
Bh	48h	00h	Aborted command. Initiator detected error message received. An initiator detected error occurs when the initiator detects an error, sends a message to retry, detects the error again, and sends the retry message a second time. The drive then sets check condition status with Initiator Detected Error.
Bh	49h	00h	Aborted command. Inappropriate/illegal message. An inappropriate or illegal message occurs when the initiator sent a message that either is not supported or is not in a logical sequence.
Bh	4Eh	00h	Aborted command. Overlapped commands attempted.

## 11.2.9 FRU : Field Replaceable Unit (Byte 14)

The FRU (Field Replaceable Unit) field value will always be zero.

## 11.2.10 Sense Key Specific (Byte 15 thru 17)

The definition of this field is determined by the value of the sense key field.

### 11.2.10.1 Sense Key Specific - Illegal Request (Sense Key = 5h)

Error filed pointer is returned.

	BIT							
	7	6	5	4	3	2	1	0
BYTE 15	SKSV	C/D	Reserved	BPV	Bit Pointer			
BYTE 16 BYTE 17	(MSB) Field Pointer							(LSB)

Figure 152. Field Pointer Bytes

**SKSV** Sense-key specific valid

0 Sense-key specific field is not valid.

1 Sense-key specific field is valid.

**C/D** Command/Data

0 Indicates that the illegal parameter is in the data parameters sent by the initiator during DATA OUT phase

1 Indicates that the illegal parameter in the command descriptor block.

**BPV** Bit Pointer Valid

0 Bit pointer field is not valid.

1 Bit pointer field is significant.

**Bit Pointer** Bit Pointer indicates which bit of the byte number reported in Field Pointer is the bit in error. When a multiple-bit field is in error, the pointer point to the most significant bit of the field.

**Field Pointer** Indicates which bytes of the command descriptor block or of the parameter data was in error. Bytes are numbered starting from zero, as shown in the tables describing the commands and parameters. When a multiple-byte field id in error, the pointer point to the most significant byte of the field.

### 11.2.10.2 Sense Key Specific - Recovered (Sense Key = 1h)

Hardware (Sense Key = 4h) or Medium Error (Sense Key = 3h)

Actual Retry Count is reported.

		BIT								
		7	6	5	4	3	2	1	0	
BYTE 15	SKSV	Reserved								
BYTE 16 BYTE 17	(MSB)	Actual Retry Count						(LSB)		

Figure 153. Actual Retry Count Bytes

**SKSV** Sense-key specific valid

0 Actual Retry Count is not valid.

1 Actual Retry Count is valid.

**Actual Retry Count** Actual number of retries used in attempting to recover from the error condition.

### 11.2.10.3 Sense Key Specific - Not Ready (Sense key = 2h)

These fields are only defined for the Format unit (04h) command with the Immediate bit set to one. Progress indication is returned.

		BIT								
		7	6	5	4	3	2	1	0	
BYTE 15	SKSV	Reserved								
BYTE 16 BYTE 17	(MSB)	Progress Indication						(LSB)		

Figure 154. Format Progress Indication Bytes

**SKSV** Sense-key specific valid

0 Progress Indication is not valid.

1 Progress Indication is valid.

**Progress Indication** Indicates a percent complete in which the returned value is the numerator that has 10000h as its denominator.

### 11.2.11 Reserved (Byte 18 thru 19)

Reserved.

### 11.2.12 Reserved (Byte 20 thru 23)

| Reserved.

### 11.2.13 Physical Error Record (Byte 24 thru 29)

- ILI = 1 - This field contains zeros.
- ILI = 0 - These bytes contain the physical location of the error in cylinder, head and sector. Byte 24 and 25 are Cylinder high and cylinder low respectively. Byte 26 is the head number. Byte 28 and 29 are sector high and low respectively.

Byte 27 is retained for compatibility and will contain the sector number for sector 0 to 254 and will be set to 0FFh for sector numbers greater than 254 or if the sector number is undetermined.

If the head undetermined, its value is to 0FFh. If the cylinder value is undetermined, byte 24 and 25 are set to 0FFFFh. If the sector number is undetermined, bytes 27, 28, and 29 are all set to 0FFh. If cylinder, head, and sector have no relevance to the error, bytes 24 through 29 will all be set to 0FFh. This field is valid with Sense Key 1, 3 and 4 only.

### 11.2.14 Reserved (Byte 30 thru 31)

Reserved.





# Index

## A

ABORT 180  
ABORT TAG 181  
Attention Condition 185  
Automatic rewrite/reallocate 205

## B

Back to Back Write 204  
BUS DEVICE RESET 181

## C

CLEAR QUEUE TAG 181  
Command 61  
    FORMAT UNIT 65  
    INQUIRY 69  
    LOG SELECT 76  
    LOG SENSE 77  
    MODE SELECT (10) 123  
    MODE SELECT (6) 121  
    MODE SENSE (10) 120  
    MODE SENSE (6) 89  
    PRE-FETCH 124  
    READ 125  
    READ BUFFER 135  
    READ CAPACITY 126  
    READ DEFECT DATA(37) 128  
    READ DEFECT DATA(B7) 131  
    READ EXTENDED 134  
    READ LONG 138  
    REASSIGN BLOCKS 139  
    RECEIVE DIAGNOSTICS 141  
    RELEASE 143, 144  
    REPORT LUN (A0) 145  
    REQUEST SENSE (03) 147  
    RESERVE 148, 149  
    REZERO 151  
    SEEK 152  
    SEEK EXTENDED 153  
    SEND DIAGNOSTIC 154  
    START/STOP 157  
    SYNCHRONIZE CACHE 158  
    TEST UNIT READY 159  
    VERIFY 160  
    WRITE 161  
    WRITE AND VERIFY 163  
    WRITE BUFFER 164  
    WRITE EXTENDED 162  
    WRITE LONG 169  
    WRITE SAME 170  
COMMAND COMPLETE 173  
Command Processing During Execution of Active I/O  
    process 190

Command Processing While Reserved 201  
Command queuing 202  
Command reordering 204  
Concurrent I/O process 204  
Contingent Allegiance Condition 209

## D

Deferred Error 194  
Degraded Mode 194  
DIAGNOSTICS 154  
DISCONNECT 179

## F

FORMAT UNIT 65  
    Defect Descriptor 67  
    Defect List 66

## I

I\_T\_L nexus 147  
IDENTIFY 183  
IGNORE WIDE RESIDUE 182  
Incorrect Initiator Connection 190  
INITIATOR DETECTED ERROR 179, 187  
INQUIRY 69  
    Inquiry data 69  
Internal Error 194  
Invalid LUN 189

## L

LBA 64  
LINKED COMMAND COMPLETE 181  
LINKED COMMAND COMPLETE WITH  
    FLAG 181  
LOG SELECT 76  
LOG SENSE 77  
Log Sense Data 78  
LSB 64  
LUN 64

## M

MESSAGE PARITY ERROR 180  
MESSAGE REJECT 180, 187  
MESSAGE SYSTEM 172  
    ABORT 180  
    ABORT TAG 181  
    BUS DEVICE RESET 181  
    CLEAR QUEUE TAG 181  
    COMMAND COMPLETE 173  
    DISCONNECT 179  
    IDENTIFY 183

MESSAGE SYSTEM (*continued*)  
 IGNORE WIDE RESIDUE 182  
 INITIATOR DETECTED ERROR 179  
 LINKED COMMAND COMPLETE 181  
 LINKED COMMAND COMPLETE WITH  
 FLAG 181  
 MESSAGE PARITY ERROR 180  
 MESSAGE REJECT 180  
 NO OPERATION 180  
 QUEUE TAG MESSAGES(20h, 21h, 22h) 181  
 RESTORE POINTERS 179  
 SAVE DATA POINTER 179  
 SYNCHRONOUS DATA TRANSFER  
 REQUEST 174  
 WIDE DATA TRANSFER REQUEST 177

#### Mode Parameter

Caching Parameters 110  
 Control Mode Page 113  
 Disconnect Parameters 103  
 Format Device Parameters 105  
 Informational Exceptions Control 118  
 Notch Parameters 115  
 Power Condition Parameters 117  
 Read-Write Error Recover Parameter 98  
 Reconnect Parameters 103  
 Rigid Disk Drive Geometry Parameters 107  
 Vendor Unique Parameters 94  
 Verify Error Recover Parameter 108

#### MODE SELECT

Parameter List 90

MODE SELECT (10) 123

MODE SELECT (6) 121

#### Mode Sense

Page Control Field. 89

Parameter List 90

MODE SENSE (10) 120

MODE SENSE (6) 89

MSB 64

Multiple Initiator 208

## N

NO OPERATION 180

Non-arbitrating systems 207

## P

Page Format (PF) 121

#### Parity Error

COMMAND Phase Parity Error 186

DATA OUT Phase Parity Error 186

MESSAGE IN Phase Parity Error 186

MESSAGE OUT Phase Parity Error 186

Power saving mode 205

PRE-FETCH 124

Priority Commands 202

## Q

QUEUE TAG MESSAGES(20h, 21h, 22h) 181

## R

READ 125

Read Ahead 207

READ BUFFER 135

READ CAPACITY 126

READ DEFECT DATA(37) 128

READ DEFECT DATA(B7) 131

READ EXTENDED 134

READ LONG 138

REASSIGN BLOCKS 139

RECEIVE DIAGNOSTICS 141

RELEASE 143, 144

REPORT LUN 145

REQUEST SENSE 147

#### Reselection

Time Out 207

RESERVE 148, 149

RESTORE POINTERS 179

REZERO 151

RSVD 64

## S

SAVE DATA POINTER 179

Save Pages (SP) 121

Saveable Page 121

SCSI Bus Related Error 185

Unexpected Bus Free Error 185

SEEK 152

SEEK EXTENDED 153

Segmented caching 207

Selection without ATN 207

SEND DIAGNOSTIC 154

Sense Data 212

Single Initiator Selection 207

START 157

Status Byte 170

STOP 157

SYNCHRONIZE CACHE 158

SYNCHRONOUS DATA TRANSFER

REQUEST 174

## T

TEST UNIT READY 159

Third Party Release 143

## U

Unit Attention Condition 193

## **V**

VERIFY 160  
VU 64

## **W**

WIDE DATA TRANSFER REQUEST 177  
WRITE 161  
WRITE AND VERIFY 163  
WRITE BUFFER 164  
Write Cache 204  
WRITE EXTENDED 162  
WRITE LONG 169  
WRITE SAME 170



Part Number  
25L1252

S25L-1252-04