

[54] COMPUTER DISPLAY WORKSTATION

D. 295,177 4/1988 Takagi et al. D14/106
4,708,313 11/1987 Freni, Jr. et al. 248/371 X

[75] Inventors: Stanley E. Koprowski, Austin;
Tristan A. Merino, Cedar Park;
Edward J. Sabella, Georgetown, all
of Tex.

OTHER PUBLICATIONS

Xerox-Apr. 1985-Cover-Display shown in fore-
ground.

[73] Assignee: International Business Machines
Corporation, Armonk, N.Y.

Primary Examiner—Susan J. Lucas
Assistant Examiner—Freda S. Nunn
Attorney, Agent, or Firm—Andrea P. Bryant; Casimer
K. Salys

[**] Term: 14 Years

[21] Appl. No.: 81,371

[57] CLAIM

[22] Filed: Aug. 3, 1987

The ornamental design for a computer display worksta-
tion, as shown and described.

[52] U.S. CL. D14/106; D14/113

[58] Field of Search D14/100-117;
D13/40, 41; 340/700, 706, 711, 712; 341/22, 23;
358/248, 249, 254; 312/7.2, 208; 248/122, 125,
127, 133, 149, 161, 178, 179, 183, 346, 349, 371

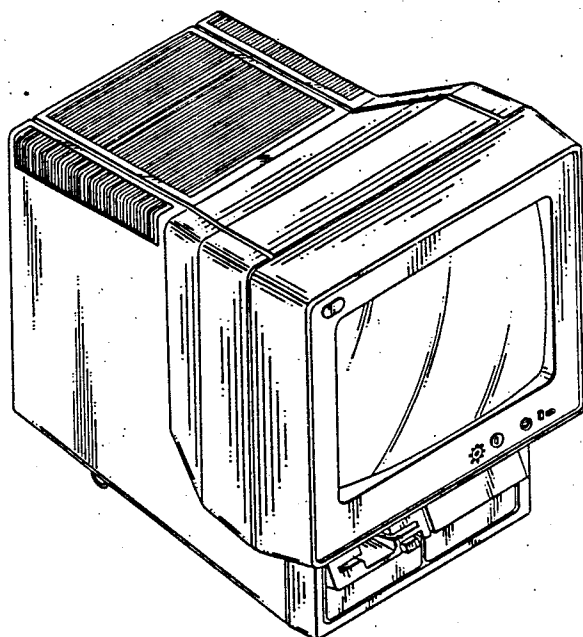
DESCRIPTION

FIG. 1 is a top, front left side perspective view of the
computer display workstation showing our new design;
FIG. 2 is a front elevation view thereof;
FIG. 3 is a top plan view thereof;
FIG. 4 is a bottom plan view thereof;
FIG. 5 is a left side elevation view thereof, the worksta-
tion tilt lever being extended;
FIG. 6 is a rear elevation view thereof; and
FIG. 7 is a right side elevation view thereof, the work-
station tilt lever being extended.

[56] References Cited

U.S. PATENT DOCUMENTS

- D. 277,674 2/1985 Usab et al. D14/113
- D. 278,911 5/1985 Ohnuma et al. D14/113
- D. 280,199 8/1985 Ryan D14/113
- D. 287,013 12/1986 Satherley D14/109 X
- D. 288,567 3/1987 Moggridge D14/109 X



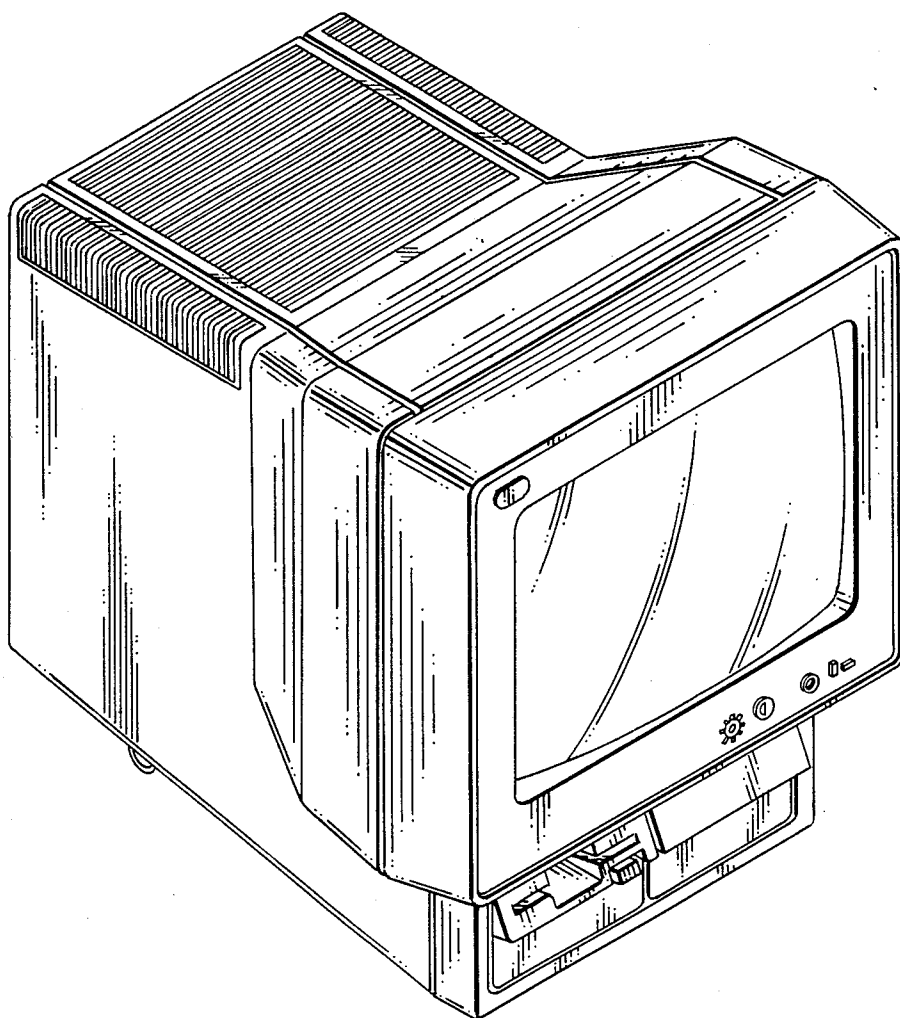


FIG. 4

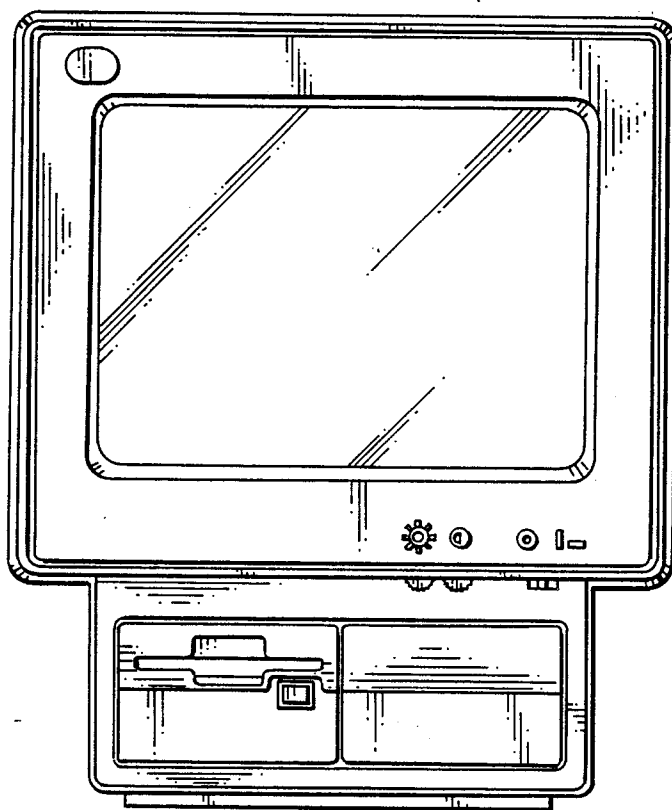


FIG. 2

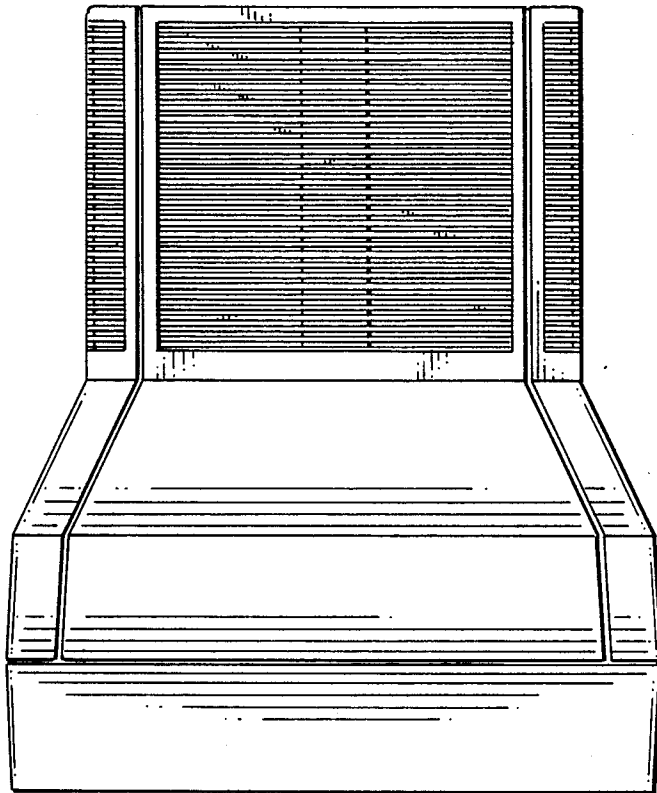


FIG. 3

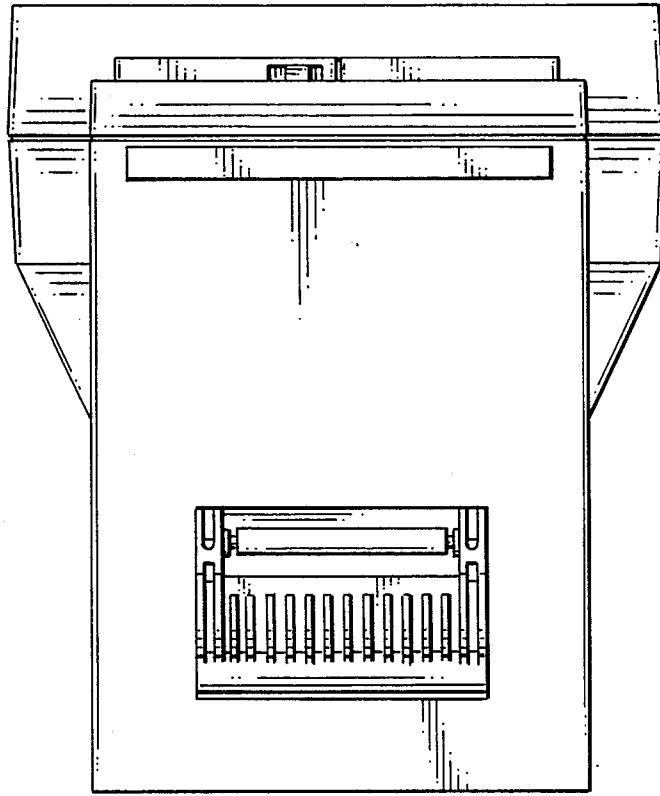


FIG. 4

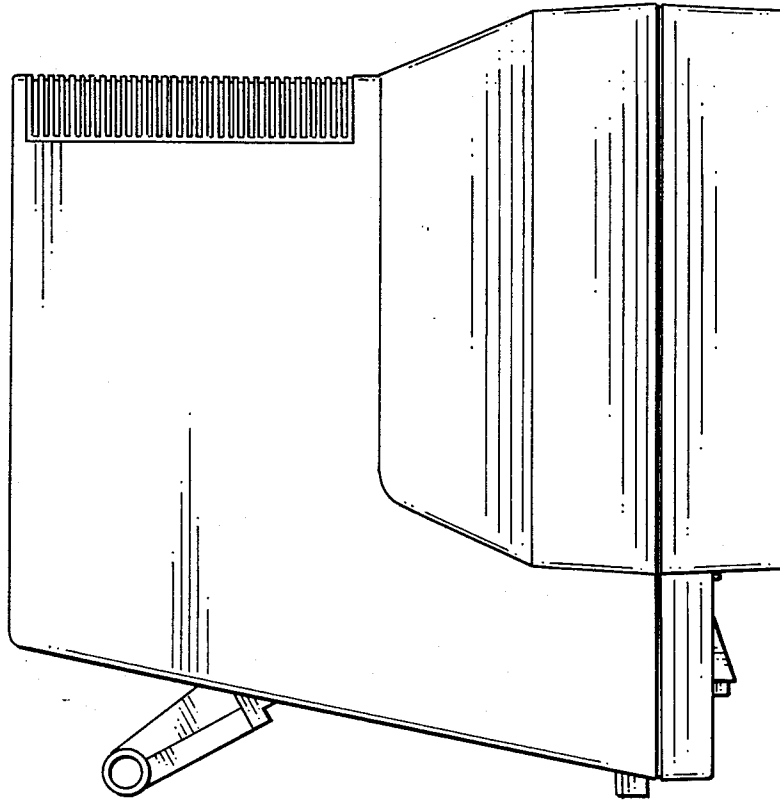


FIG. 5

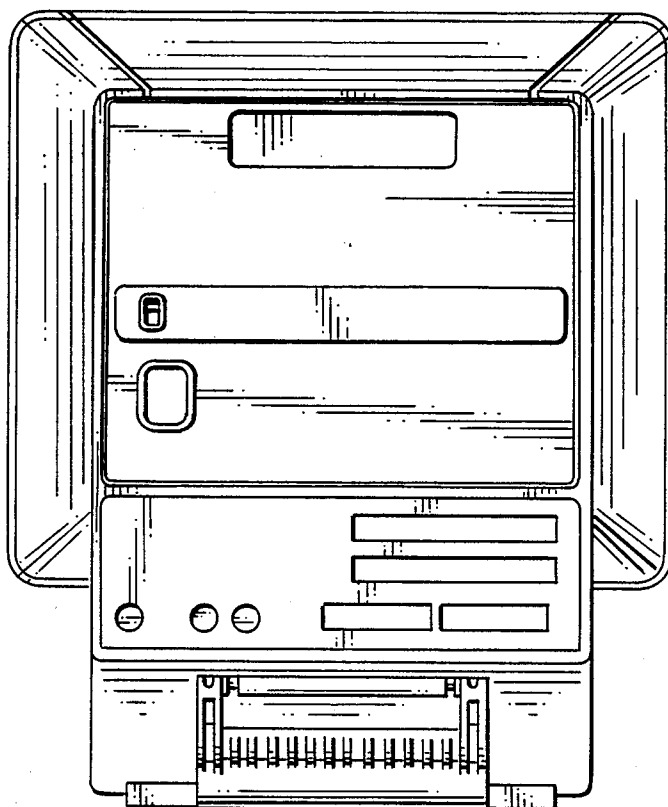


FIG. 6

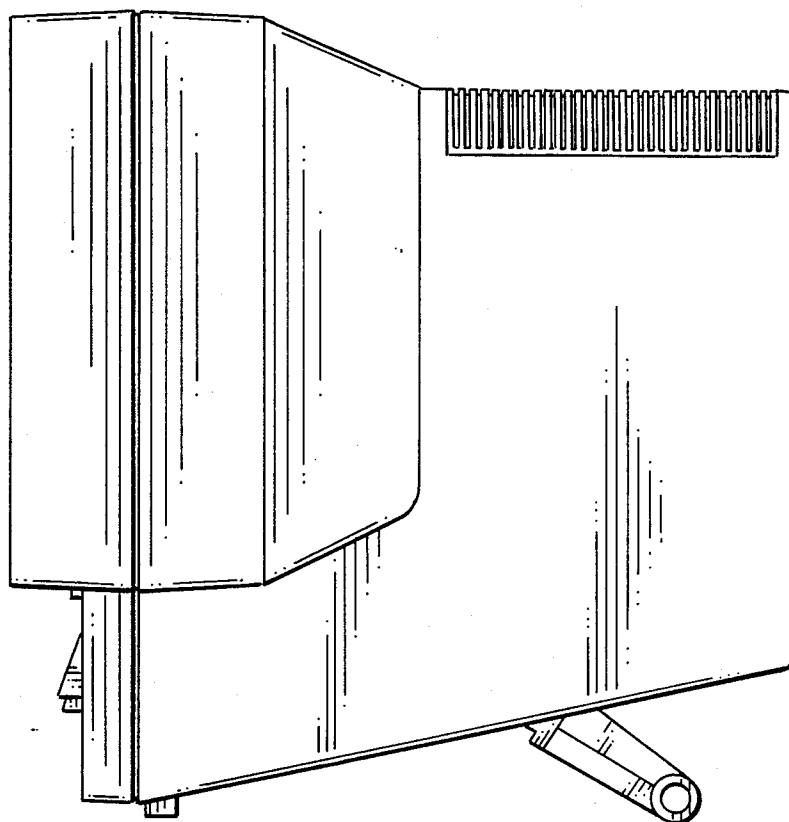


FIG. 7