



US00D363475S

United States Patent [19]

Oates et al.

[11] Patent Number: **Des. 363,475**

[45] Date of Patent: ****Oct. 24, 1995**

[54] VISUAL DISPLAY UNIT

D. 346,595 5/1994 Oates D14/113

[75] Inventors: **Markus Oates**, Farnham; **Gordon Grant**, Bishopton, both of United Kingdom

Primary Examiner—Freda S. Nunn
Attorney, Agent, or Firm—Martin J. McKinley; Craig J. Yudell; Andrew J. Dillon

[73] Assignee: **International Business Machines Corporation**, Armonk, N.Y.

[57] **CLAIM**

The ornamental design for a visual display unit, as shown and described.

[**] Term: **14 Years**

DESCRIPTION

[21] Appl. No.: **18,578**

FIG. 1 is a front elevation of the visual display unit of the present invention;
FIG. 2 is a rear elevation of the visual display unit of the present invention;
FIG. 3 is a right side elevation of the visual display unit of the present invention;
FIG. 4 is a left side elevation of the visual display unit of the present invention;
FIG. 5 is a top plan view of the visual display unit of the present invention;
FIG. 6 is a bottom plan view of the visual display unit of the present invention; and,
FIG. 7 is a reduced top perspective view of the visual display unit of the present invention.

[22] Filed: **Feb. 9, 1994**

[30] **Foreign Application Priority Data**

Sep. 3, 1993 [GB] United Kingdom 2033562

[52] U.S. Cl. **D14/113**

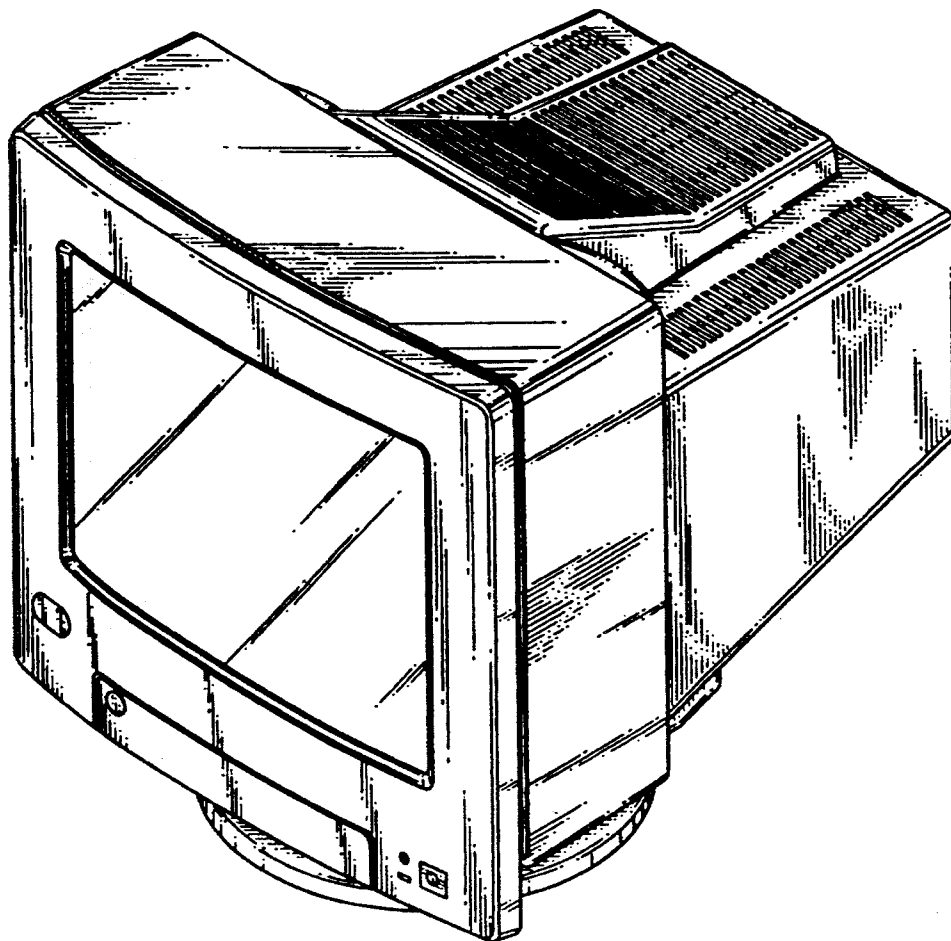
[58] Field of Search D14/100, 101, 113, 124-127, 129; 248/917-924; 345/104, 133, 156, 168, 87, 173, 901-905; 358/249, 254, 255

[56] **References Cited**

U.S. PATENT DOCUMENTS

D. 344,935 3/1994 Imai et al. D14/113

1 Claim, 7 Drawing Sheets



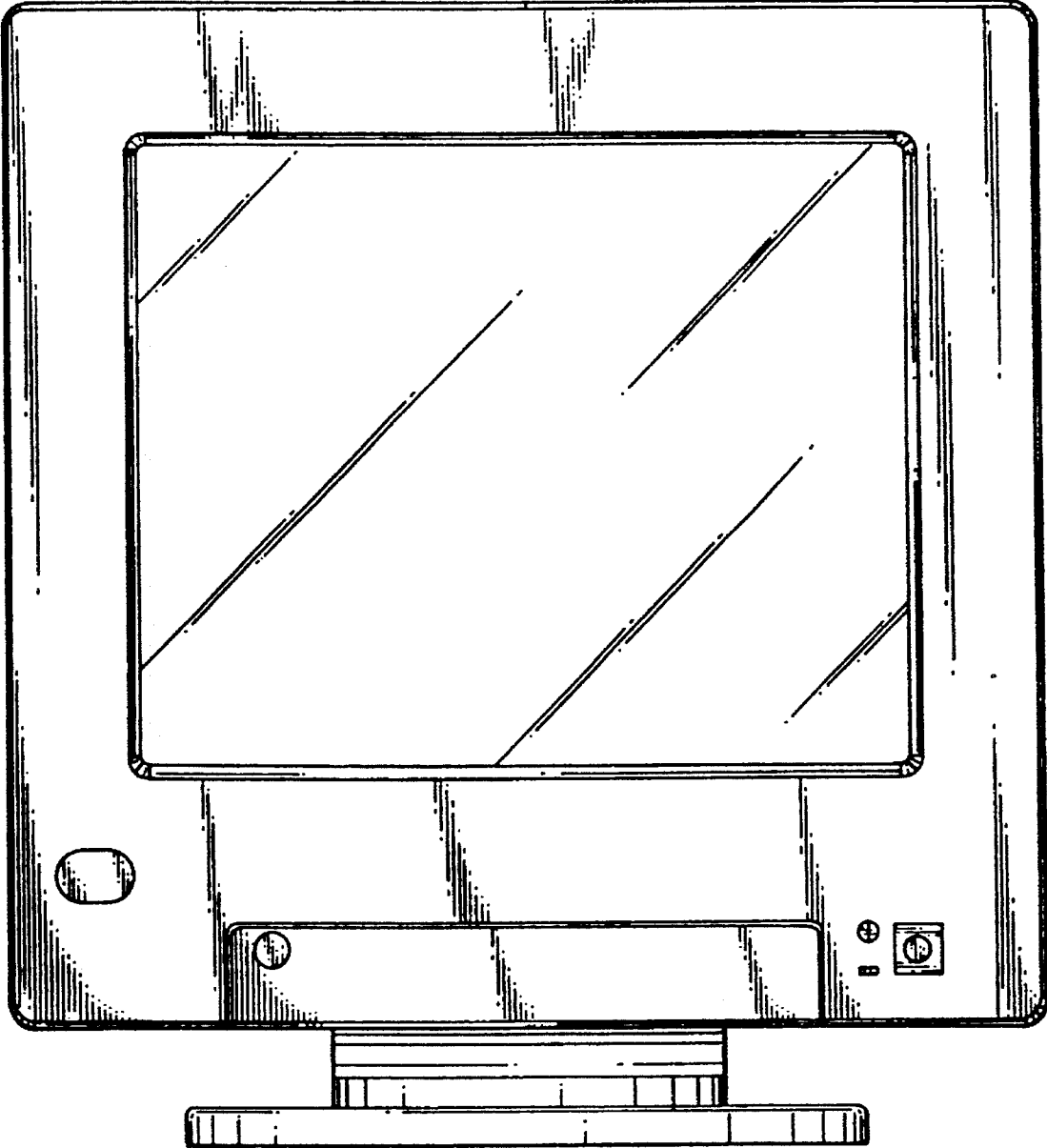


FIG. 1

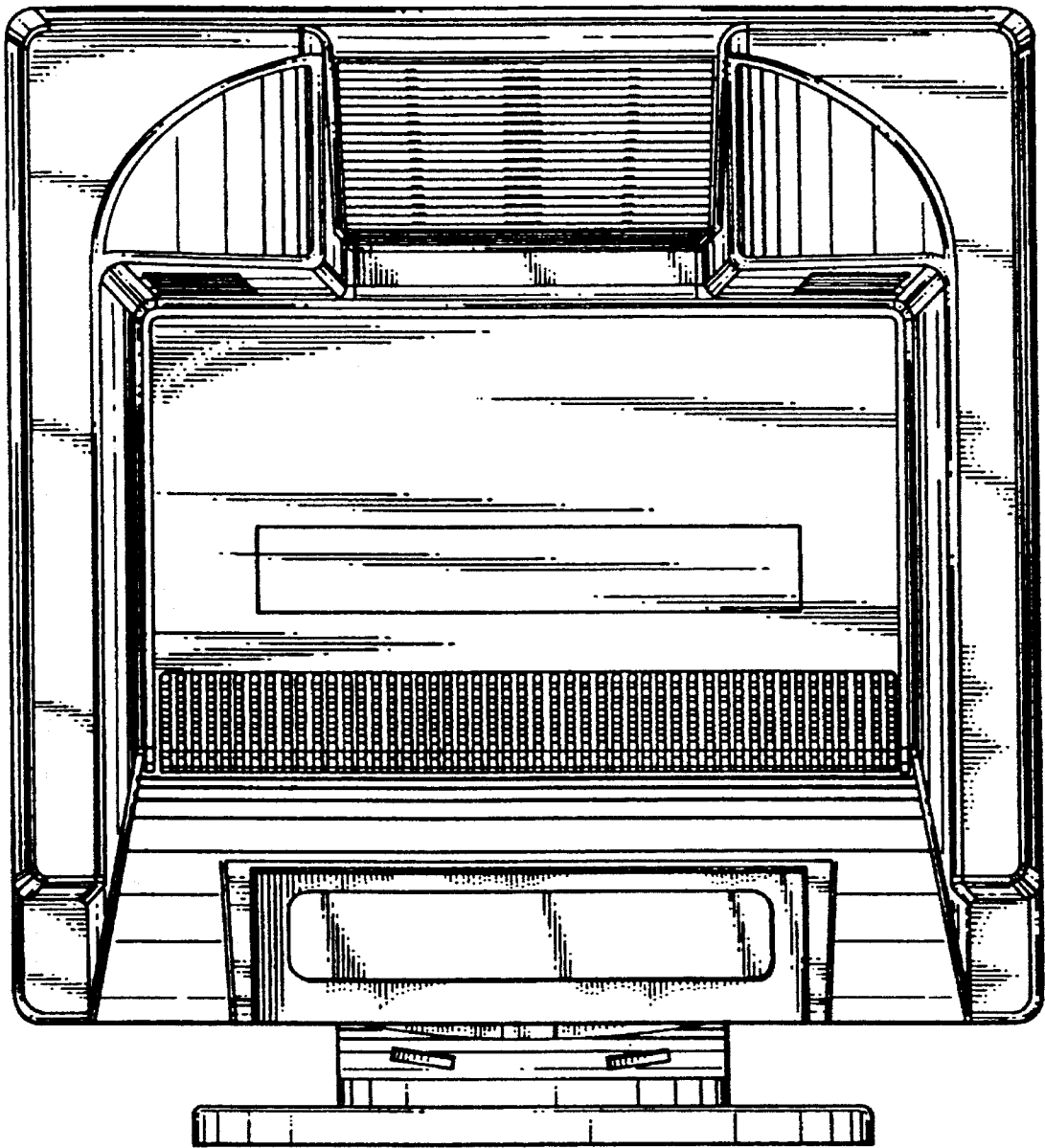


FIG. 2

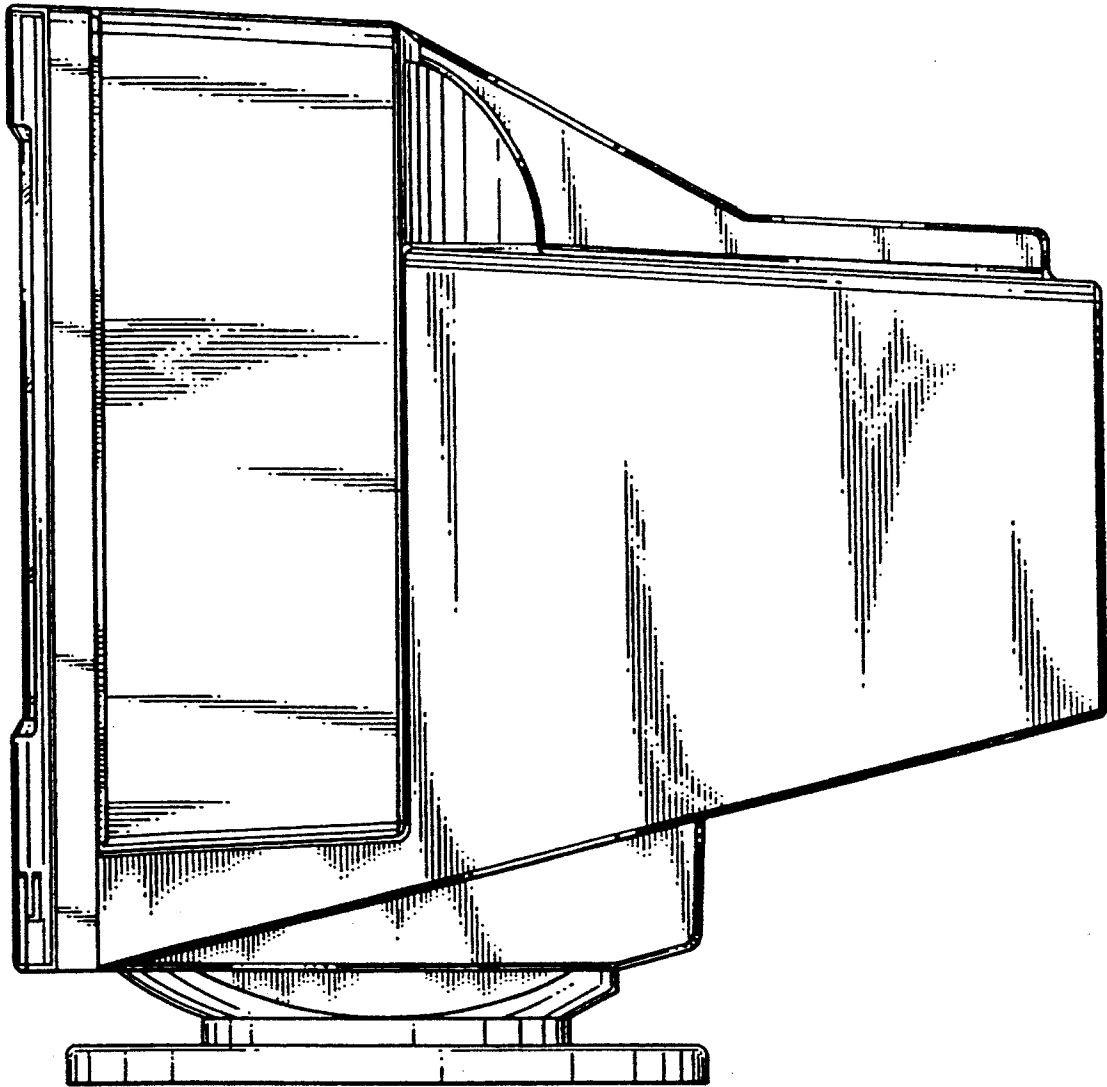


FIG. 3

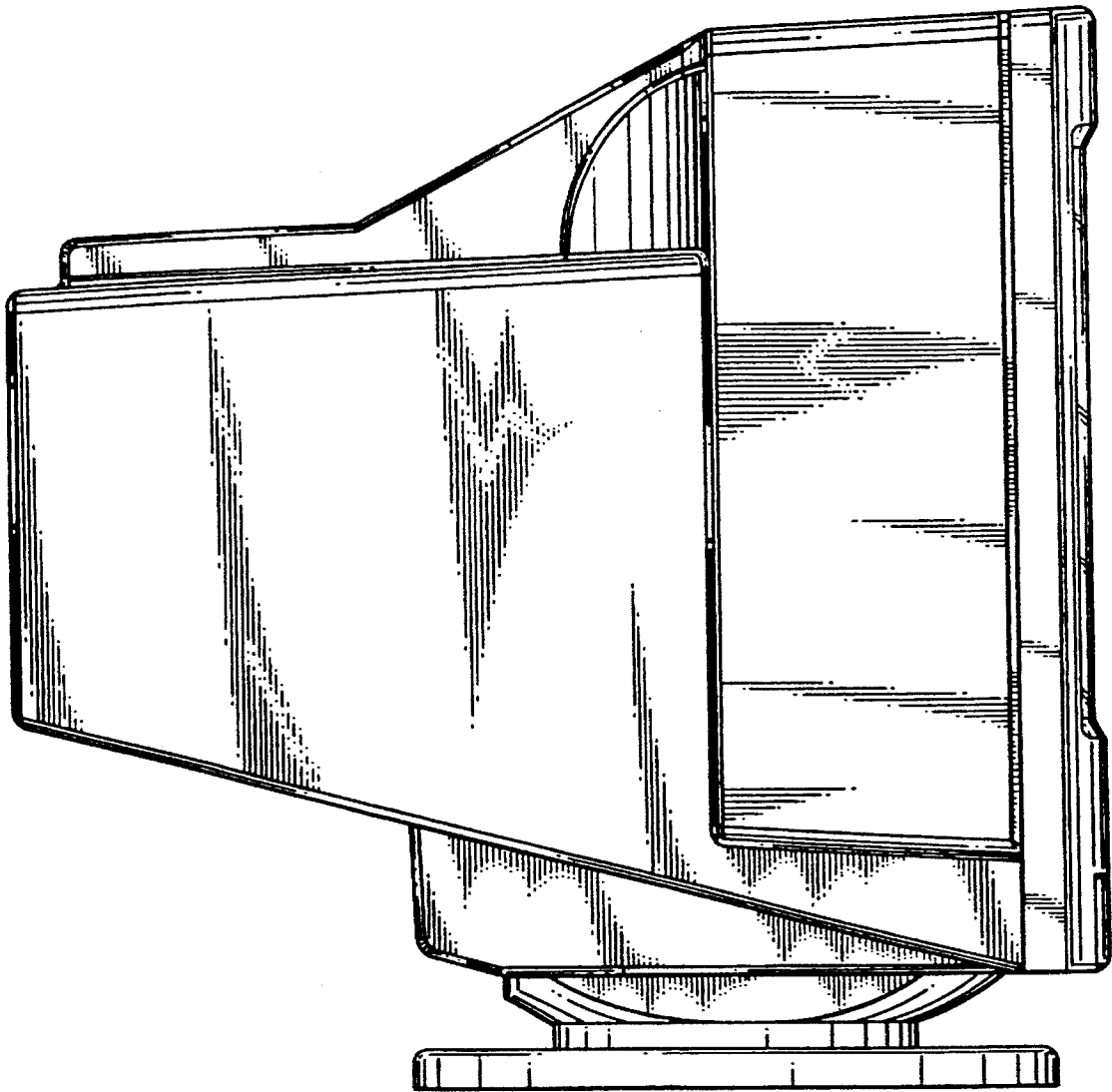


FIG. 4

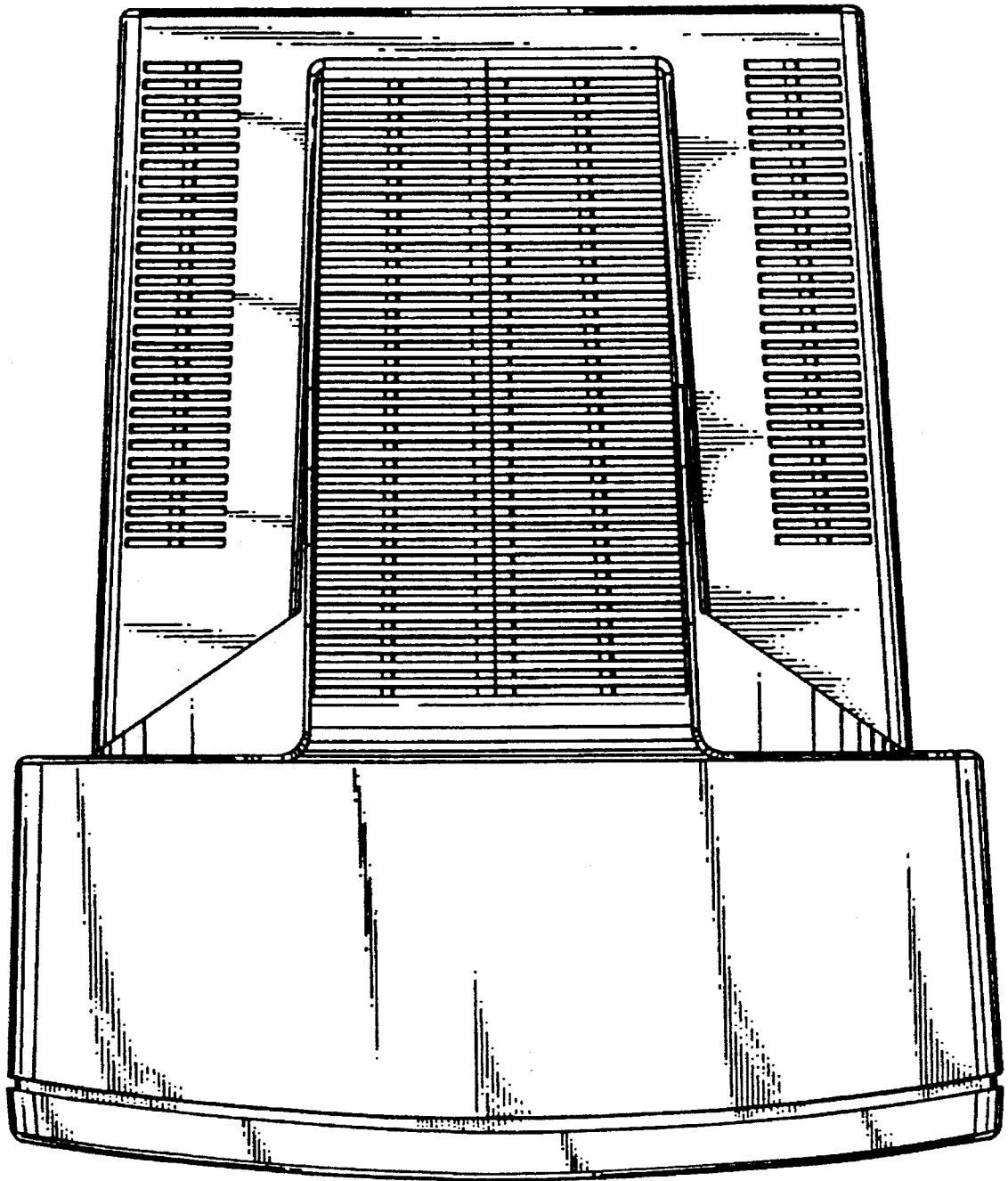


FIG. 5

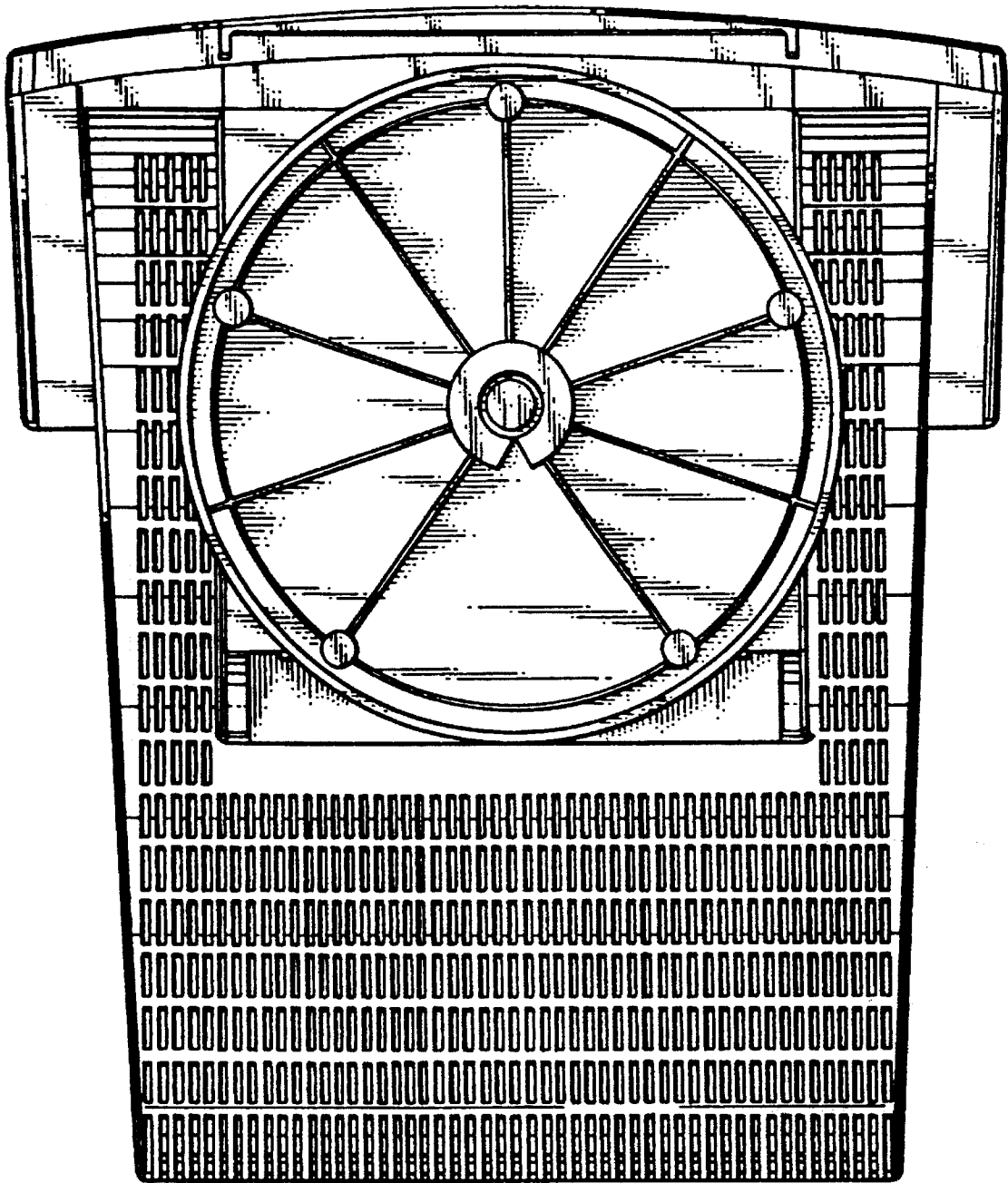


FIG. 6

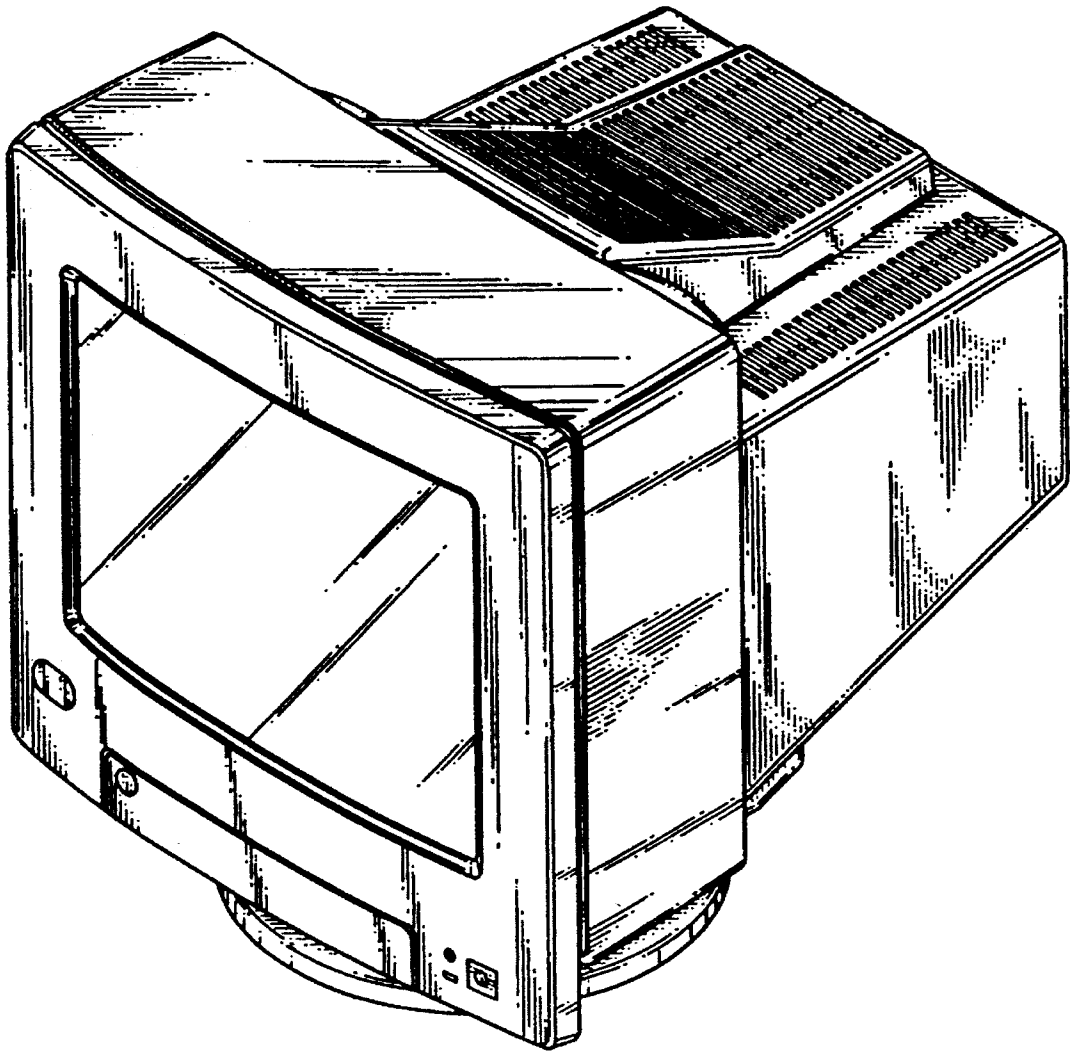


FIG. 7