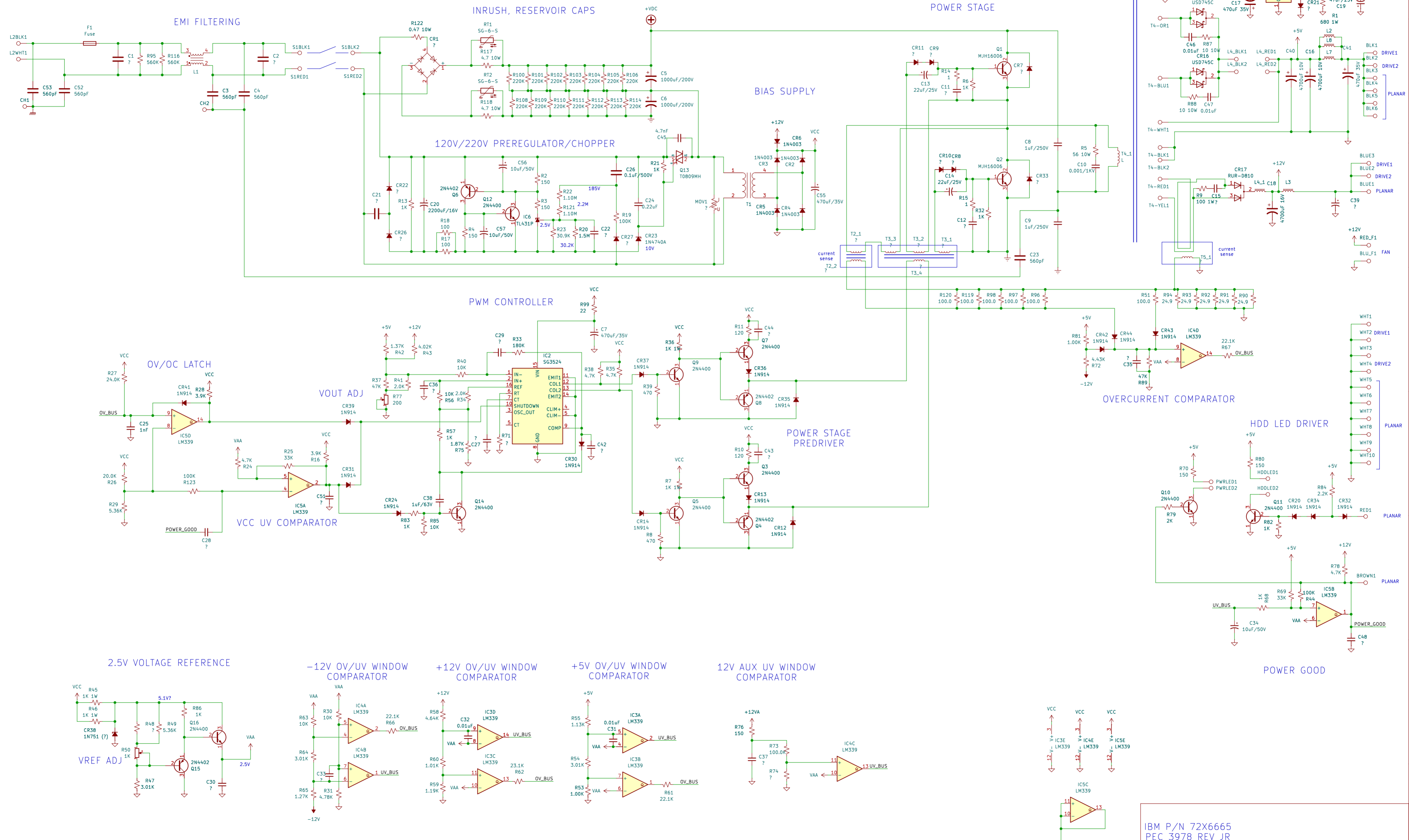


# PS/2 Model 80 Power Supply



IBM P/N 72X6665  
 PEC 3978 REV JR  
 Sheet: /  
 File: ps2\_80\_power.kicad\_sch  
**Title:**  
 Size: A2 Date: Rev:  
 KiCad E.D.A. B.0.4 Id: 1/1

This work is licensed under Creative Commons Attribution-ShareAlike 4.0 International  
 (C) 2024 Tube Time