

486 COMMON SOCKET IMPLEMENTATION

by J. Lombard, M. Lerman

1. Overview

This document provides detailed information regarding the differences in pinouts between SGS-THOMSON Microelectronics(ST) and Intel 486 PGA devices and specifies electrical connections that allow a single motherboard design to support all of the listed devices. This implementation is intended to be a guideline to eliminate conflicts due to pinout differences only.

This common socket specification is intended to support the following devices:

- SGS-THOMSON ST486 DX2
- CYRIX Cx486 DX2
- SGS-THOMSON ST486 DX2V
- SGS-THOMSON ST486 DX4V
- SGS-THOMSON ST5x86
- CYRIX Cx5x86
- INTEL i486 DX2 SL & WB Enhanced
- INTEL i486 DX4
- AMD AM486 DX2 (Future SL & WB Enhanced)
- AMD AM486 DX4 (Future SL & WB Enhanced)

For additional information, please contact SGS-Thomson Microelectronics. Information in this document is subject to change without notification. The following documents were used as references: Intel486 Microprocessor Family, AM486 Microprocessor Family System Design Consideration. Any functions not disclosed in the referenced documents are NOT covered by the scope of this specification.

2. CPU Features

Each of the CPUs supported in this common socket specification is 486 bus compatible yet has a unique set of features that impacts the device pinout. Table 2-1 lists the differences in the CPU feature sets.

Table 2-1. CPU Enhanced Features

CPU	VOLTAGE	WRITE-BACK	SMM & POWER MANAGEMENT	CORE CLOCK CONTROL	JTAG
ST486DX2 Cx486DX2	5 V	yes	yes	no	no
ST486DX2V Future AM486DX2	3.45V, 5V I/O	yes	yes	no	no
ST486DX4V Future AM486DX2	3.45V, 5V I/O	yes	yes	2x, 3x	no
ST5x86 Cx5x86	3.45V, 5V I/O	yes	yes	0.5x, 1x, 2x, 3x	yes
Intel i486DX/DX2 SL & WB Enh.	5 V	yes	yes	no	yes
IntelDX4	3.3 V, 5 V I/O	no	yes	2x, 2.5x, 3x	yes

3. Pin Differences

Table 3-1 lists those pins with signal assignments that are not consistent for all of the CPUs. Table 3-1 also specifies the appropriate connections for a common socket implementation. All the pins that are not listed have identical signal assignments for all CPUs shown in the table.

Therefore when implementing a common socket, all pins not listed should have identical connections to the system logic regardless of the CPU type.

APPLICATION NOTE

Table 3-1. CPU Pin Assignment

PIN NUMBER	SIGNAL NAME						Note
	ST486DX2 Cx486DX2	ST486DX4V ST486DX2V	ST5x86 Cx5x86	Future AM486DX2 AM486DX4	i486DX/DX2 SL & WB Enhanced	IntelDX4	
A3	NC	NC	TCK		TCK	TCK	1
A10	SUSPA#	INVAL	INV	INV	INV	NC	
A12	SMI#	HITM#	HITM#	HITM#	HITM#	NC	
A13	RPLSET1	SUSPA#	SUSPA#	NC	NC	NC	
A14	NC	NC	TDI		TDI	TDI	1
B10	NC	SMI#	SMI#	SMI#	SMI#	SMI#	2
B12	TEST	RPLSET1	CACHE#	CACHE#	CACHE#	NC	
B13	WM_RST	RPVAL#	NC	WB/WT#	WB/WT#	NC	
B14	NC	RPLSET0	TMS	TMS	TMS	TMS	1
B16	NC	NC	TDO		TDO	TDO	1
C10	SMADS#	WM_RST	WM_RST	SRESET	SRESET	SRESET	3
C12	RPLSET0	SMADS#	SMADS#	SMIACT#	SMIACT#	SMIACT#	2, 4
C13	RPVAL#	TEST	NC		NC	NC	
G15	SUSP#	SUSP#	SUSP#	STPCLK#	STPCLK#	STPCLK#	5
J1	NC	NC	NC	NC	VCC	VCC5	6
R17	HITM#	CLKMUL	CLKMUL	CLKMUL	NC	CLKMUL	7, 8
S4	INVAL	VOLDET	VOLDET	VOLDET	NC	VOLDET	

Notes

- 1) TCK, TDI, TMS, TDO are JTAG pins.
- 2) SMI# and SMADS# may be programmed to be SL compatible as SMI# and SMIACT# from rev 4.0.
- 3) SRESET and WM_RST have the same function.
- 4) SMIACT# and SMADS# have the same function.
- 5) STPCLK# and SUSP# have the same function.
- 6) J1 is NC on the ST 3.45 Volt CPUs.
- 7) The 2.5 ratio is supported only by the Intel DX4.

- 8) The CLKMUL must be grounded externally in the ST486DX2V and the AM486DX2.

4. Device Marking

The SGS-THOMSON devices have two kinds of pinout: the old pinout and the standard pinout. The old pinout was defined prior to the introduction of the Intel SL-Enhanced and WB-Enhanced CPUs. The pins concerning the enhanced features do not have the same location as in the latest Intel socket. In the standard pinout these pins have been placed in accordance with the Intel socket. The old pinout concerns the ST486DX2 5 Volt whatever the clock frequency is. Figure 4-1 shows the marking of these devices.

Figure 4-1. Old Pinout Markings



Figure 4-2. Standard Pinout Marking



The standard pinout concerns the ST486DX4 devices and the 3 Volt devices. On these devices a special marking "STANDARD PINOUT" has been added. Figure 4-2 shows the marking of these devices.

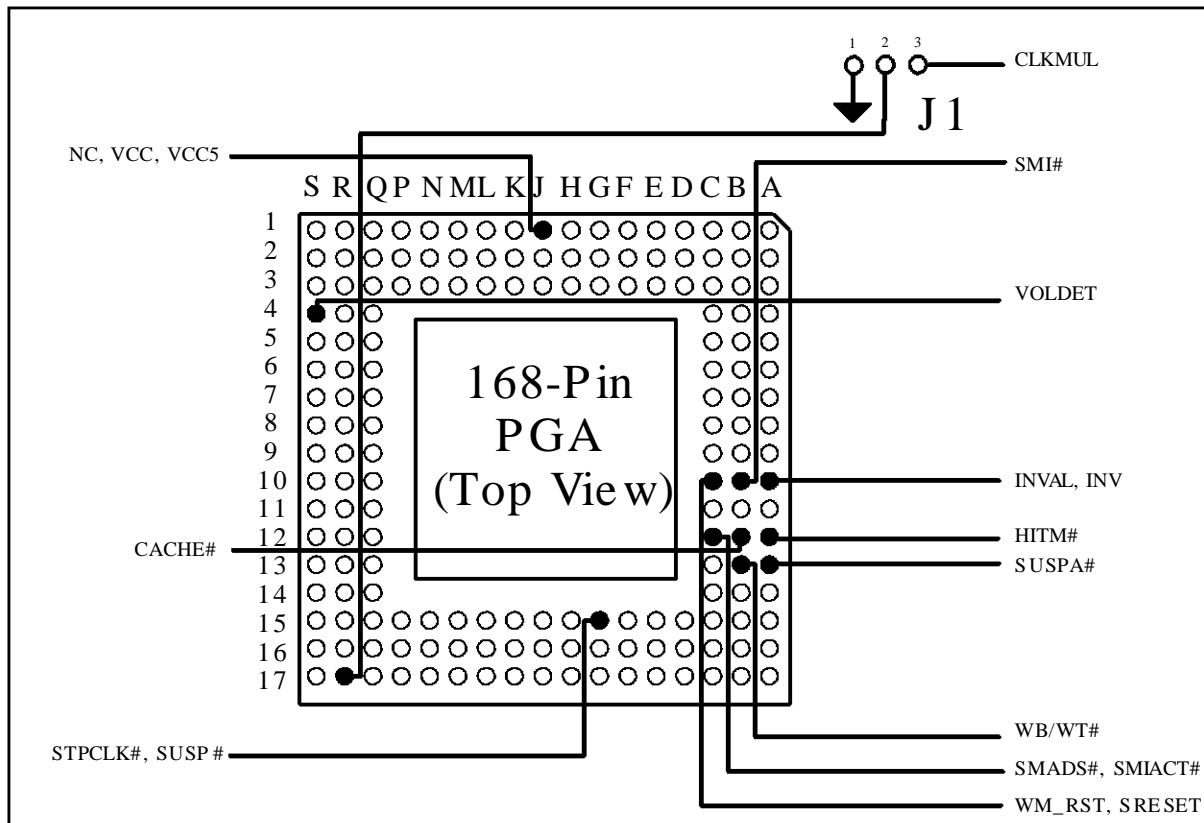
All the 5 Volt ST486DX2 are manufactured with the old pinout.

All the 3 Volt ST486DX2V and all the ST486DX4V are manufactured with the standard pinout.

Figure 4-3 shows a common socket implementation supporting all the CPUs listed in table 2-1 except the ST486DX2 5 VOLT and the Cx486DX2. This is the recommended design implementation. J1 connection must be: 1-2 for the DX2 parts, 2-3 for the other parts.

A schematic for the common socket connections supporting all the listed 486 CPUs is shown in Figure 4-4. The corresponding jumper settings are listed in Table 4-2.

Figure 4-3. Simplified Common Socket Schematic



APPLICATION NOTE

Figure 4-4. Common Socket Schematic

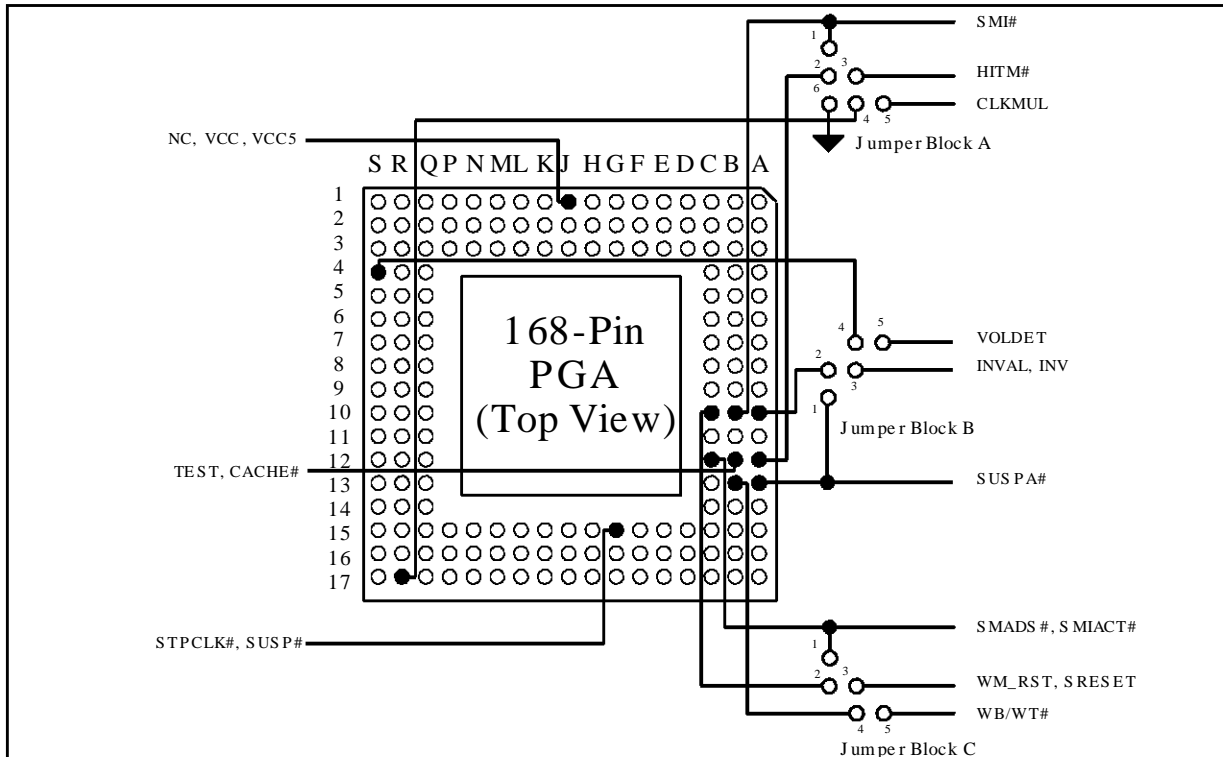


Table 4-2. Jumper Settings

CPU	JUMPER BLOCK A	JUMPER BLOCK B	JUMPER BLOCK C
ST486DX2, Cx486DX2		1-2 and 3-4	
ST486DX2V, Future AM486DX2 WB Enh.	2-3 and 4-6	2-3 and 4-5	2-3 and 4-5
ST486DX4V, ST5x86, Cx5x86, Intel 486DX/DX2 SL & WB Enh., IntelDX4, Future AM486DX4 WB Enh.		2-3 and 4-5	

Important Notes relative to figure 4-3:

- 1) We assume in the common socket of figure 4-3 that the following pins are disabled (default after reset): RPVAL, RPLSET0, RPLSET1.
- 2) This socket does not support the Cx486DX2. For this device, additional jumpers must be added in order to select the appropriate CPU voltage. On certain old parts of this device pin J1 is VCC 5V and must be isolated.
- 3) This socket accepts the future AMD 3V Writeback Enhanced CPU DX2 and DX4.

The pinout of this CPU is identical to the ST486DX2V except the pin SUSPA# (A13) which is not connected. **Like the ST486DX2V the AM486DX2 must have the CLKMUL pin connected to GND externally.**

- 4) This socket does not support the 2.5x ratio allowed by the IntelDX4 CPU.
- 5) In the old ST pinout the location of the TEST pin matches to the location of the CACHE# output pin. A particular attention must be paid on this pin in the application board. The TEST pin must have the zero level

Information furnished is believed to be accurate and reliable. However, SGS-Thomson Microelectronics assumes no responsibility for the consequences of use of such information nor for any infringement of patents or other right parties which may result from its use. No license is granted by implication or otherwise under any patent or patent rights of SGS-THOMSON Microelectronics. Specification mentioned in this publication are subject to change without notice. This publication supersedes and replaces all information previously supplied. SGS-THOMSON Microelectronics products are not authorised for use as critical components in life support devices or systems without express written approval of SGS-THOMSON Microelectronics.

© 1995 SGS-THOMSON Microelectronics - All Right Reserved

SGS-THOMSON Microelectronics GROUP OF COMPANIES

Australia - Brazil - Canada - China - France - Hong Kong - Italia - Japan - Korea - Malaysia - Malta - Morocco - The Netherlands - Singapore
- Spain - Sweden - Switzerland - Taiwan - United Kindom - U.S.A.