

United States Patent [19]

Armstrong et al.

[11] Patent Number: Des. 307,746

[45] Date of Patent: ** May 8, 1990

[54] CONTROL UNIT FOR A PERSONAL COMPUTER

[75] Inventors: Daniel E. Armstrong, Lexington; John H. Barker; Troy A. Lee, both of Nicholasville; Peter J. Mendel, Lexington, all of Ky.; Ronald A. Smith, Apex, N.C.

[73] Assignee: International Business Machines Corporation, Armonk, N.Y.

[**] Term: 14 Years

[21] Appl. No.: 34,319

[22] Filed: Apr. 3, 1987

[52] U.S. Cl. D14/100; D14/109

[58] Field of Search D14/100-117; D13/40, 41; 340/700, 706, 711, 712; 341/22, 23; 312/7.2, 208; 364/706, 708, 709, 710; 360/97-99, 132, 133; 361/330-332, 334, 335, 348, 352, 379, 380, 381, 384, 399, 390-395, 415, 426; 174/52.1

[56] References Cited

U.S. PATENT DOCUMENTS

D. 277,283 1/1985 Empson et al. D14/100
D. 279,374 6/1985 Benigni et al. D14/100
D. 292,515 10/1987 Martin D14/109 X
D. 295,749 5/1988 Kelley, Jr. et al. D14/100

Primary Examiner—Susan J. Lucas
Assistant Examiner—Freda S. Nunn
Attorney, Agent, or Firm—John J. McArdle, Jr.; William J. Dick

[57] CLAIM

The ornamental design for a control unit for a personal computer, as shown and described.

DESCRIPTION

FIG. 1 is a top plan view of a control unit for a personal computer showing our new design; FIG. 2 is a front elevational view thereof; FIG. 3 is a right side elevational view thereof; FIG. 4 is a left side elevational view thereof; FIG. 5 is a rear elevational view thereof; FIG. 6 is a bottom plan view thereof; and FIG. 7 is a top, front, right side perspective view thereof.

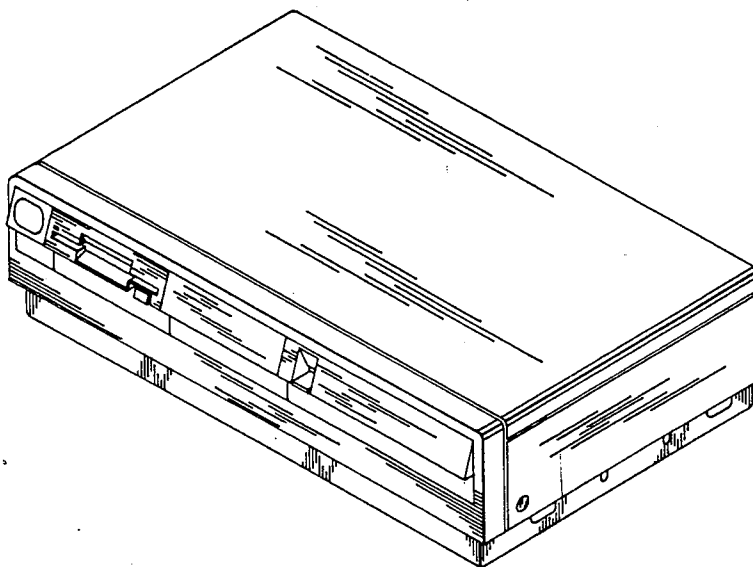


FIG. 1

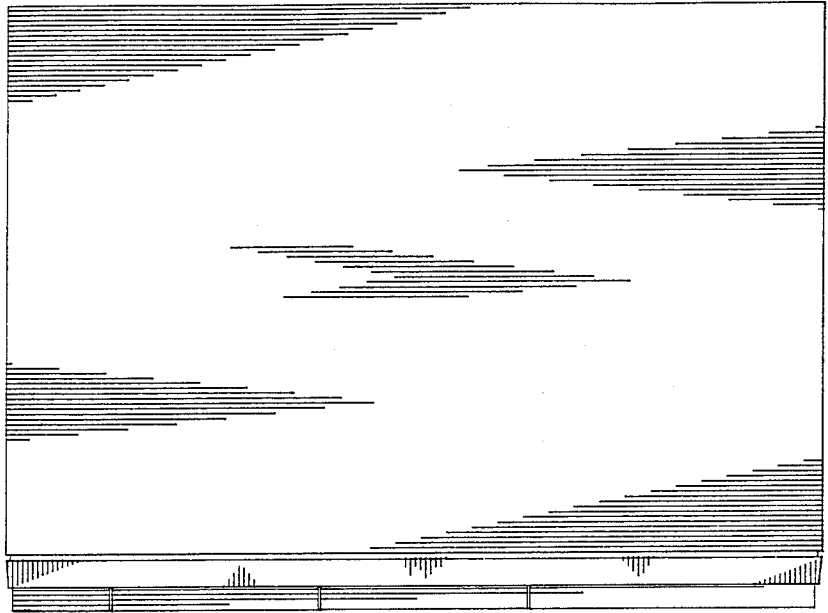


FIG. 2

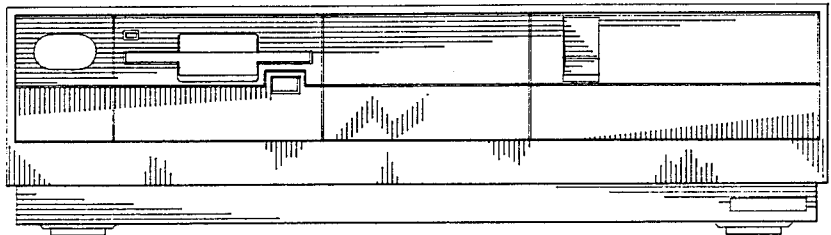


FIG. 3

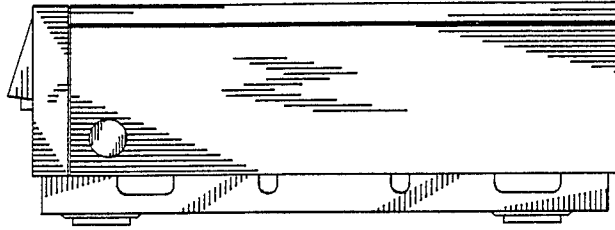


FIG. 4

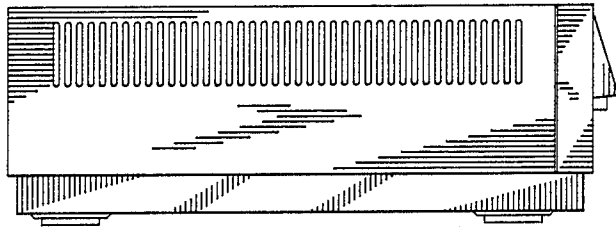


FIG. 5

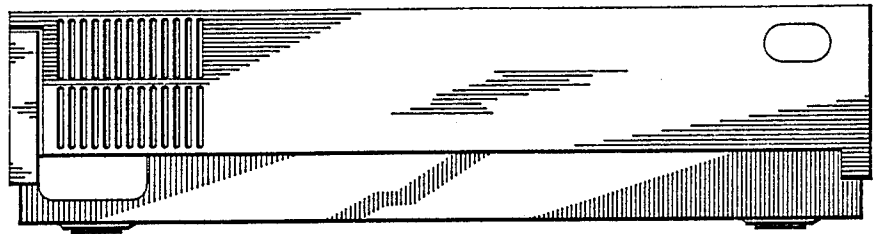


FIG. 6

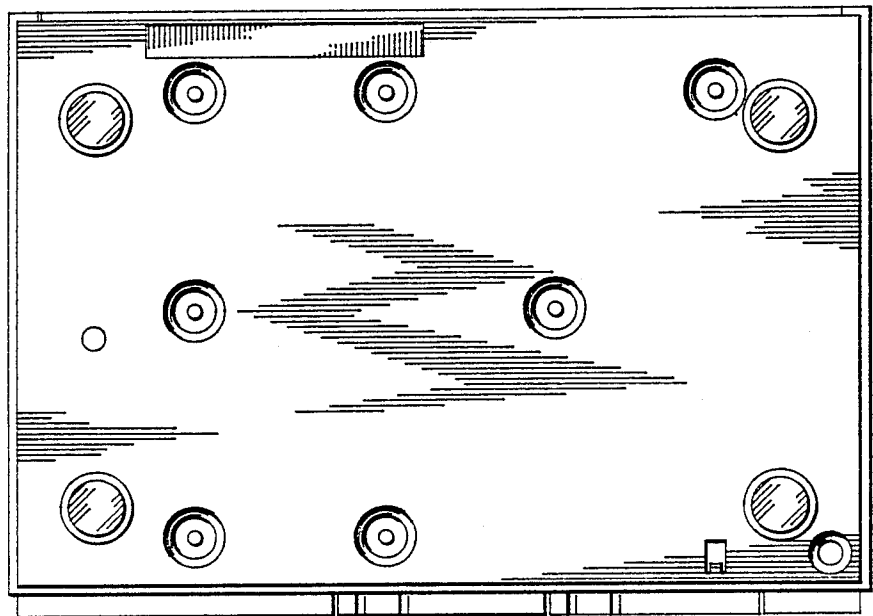


FIG. 7

