



US00D324212S

United States Patent [19]

[11] Patent Number: **Des. 324,212**

Garmon et al.

[45] Date of Patent: **** Feb. 25, 1992**

[54] **REDUCED HEIGHT FLOPPY DISC DRIVE BEZEL**

D. 298,252	10/1988	Sapper	D14/115
D. 300,930	5/1989	Kerezman et al.	D14/115
D. 304,333	10/1989	Kerezman et al.	D14/114
D. 306,438	3/1990	Garmon et al.	D14/115
D. 315,339	3/1991	Yang	D14/115

[75] Inventors: **Vincent S. Garmon**, Boynton Beach;
Graham M. White, Boca Raton, both of Fla.

Primary Examiner—Wallace R. Burke
Assistant Examiner—Freda S. Nunn

[73] Assignee: **International Business Machines Corp.**, Armonk, N.Y.

[57] CLAIM

[**] Term: **14 Years**

The ornamental design for a reduced height floppy disc drive bezel, as shown.

[21] Appl. No.: **525,438**

[22] Filed: **May 18, 1990**

DESCRIPTION

[52] U.S. Cl. **D14/115**

FIG. 1 is a right, top, front perspective view of the reduced height floppy disc drive bezel showing our new design;

[58] Field of Search D14/100, 101, 102, 105, D14/106, 107, 108, 109, 114, 115; 360/97.01-99.12, 132, 133; 174/52.1; 312/208; 361/380-385, 390-395; D13/184, 199; D6/494

FIG. 2 is a front elevational view thereof;

FIG. 3 is a left, top, rear perspective view thereof;

FIG. 4 is a right side elevational view thereof;

FIG. 5 is a left side elevational view thereof;

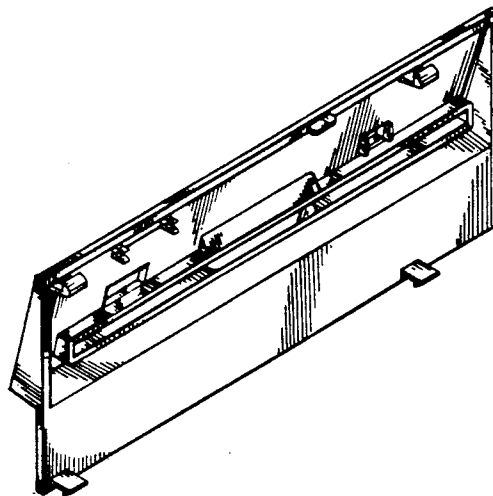
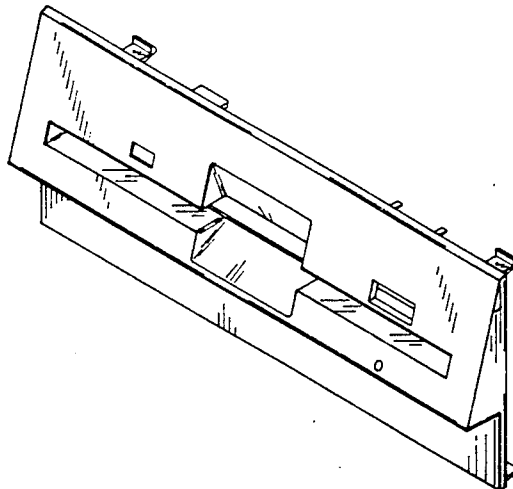
FIG. 6 is a top plan view thereof; and

FIG. 7 is a bottom plan view thereof.

[56] References Cited

U.S. PATENT DOCUMENTS

D. 297,893 10/1988 Garmon D6/494



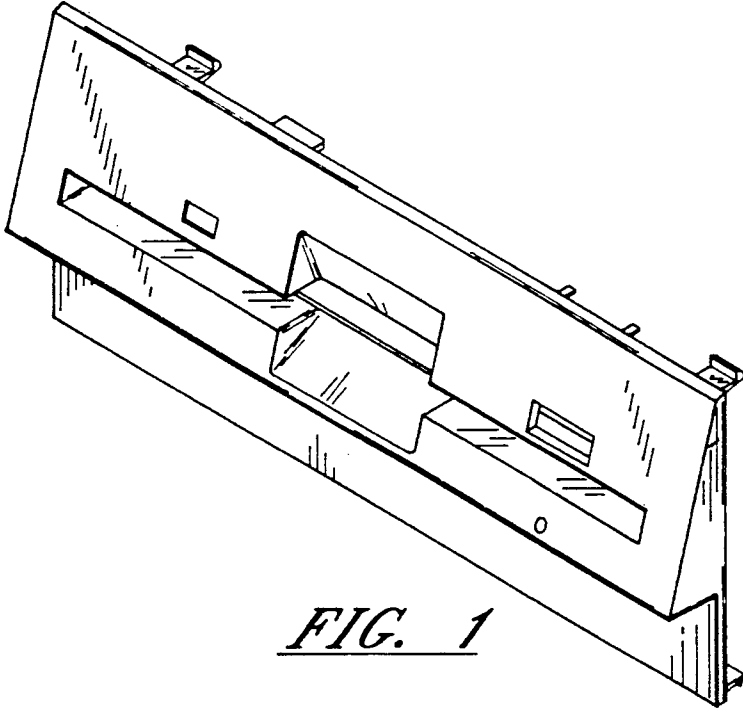


FIG. 1

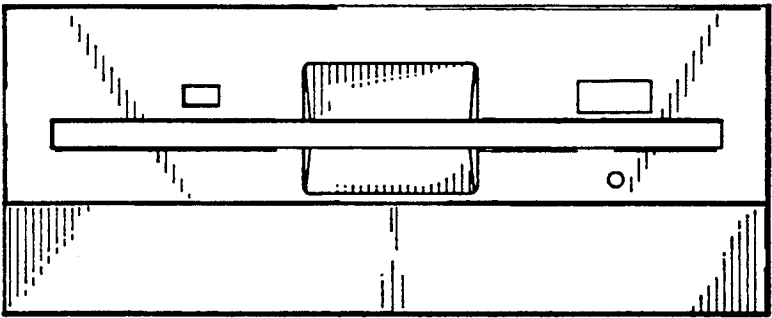


FIG. 2

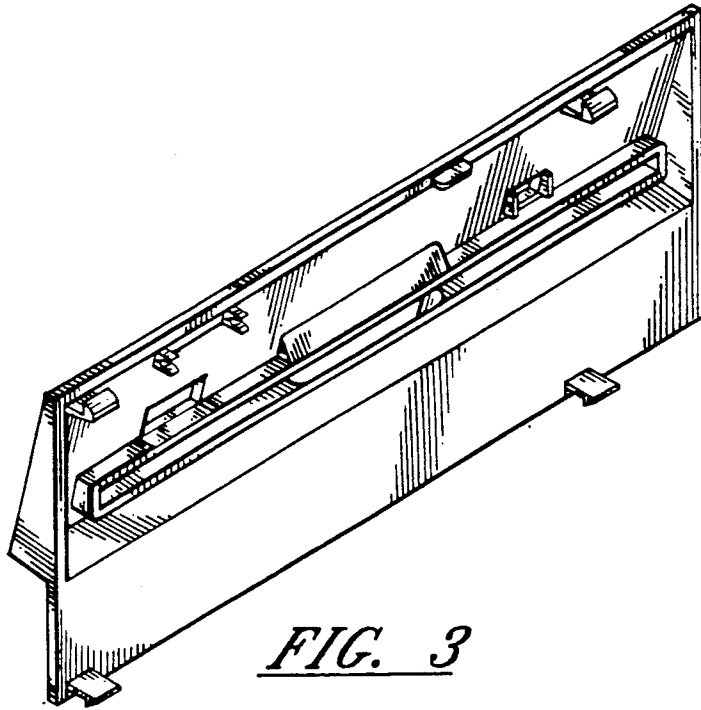


FIG. 3

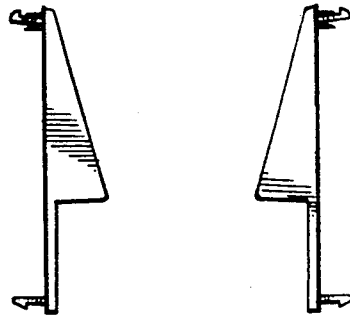


FIG. 5 FIG. 4



FIG. 7

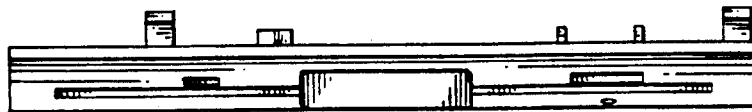


FIG. 6