



US00D332784S

# United States Patent [19]

[11] Patent Number: **Des. 332,784**

Wiseman et al.

[45] Date of Patent: **\*\* Jan. 26, 1993**

[54] **DISPLAY FOR COMPUTERS**

[56]

### References Cited

[75] Inventors: **John A. Wiseman**, Hillsboro Beach, Fla.; **Thomas E. Pangburn**, Lexington, Ky.

### U.S. PATENT DOCUMENTS

D. 304,179	10/1989	Beaton et al.	.....	D14/113
D. 314,563	2/1991	Maurer et al.	.....	D14/113
D. 318,657	7/1991	Wiseman	.....	D14/113
D. 318,861	8/1991	Manabe et al.	.....	D14/113
D. 320,010	9/1991	Orchard et al.	.....	D14/113

[73] Assignee: **International Business Machines Corporation**, Armonk, N.Y.

*Primary Examiner*—Wallace R. Burke  
*Assistant Examiner*—Freda S. Nunn  
*Attorney, Agent, or Firm*—Joscelyn G. Cockburn

[\*\*] Term: **14 Years**

### [57] CLAIM

[21] Appl. No.: **702,198**

The ornamental design for a display for computers, as shown and described.

[22] Filed: **May 16, 1991**

### DESCRIPTION

### [30] Foreign Application Priority Data

Nov. 21, 1990 [GB] United Kingdom ..... 2011176  
 [52] U.S. Cl. .... **D14/113**  
 [58] Field of Search ..... D14/100, 101, 105, 106,  
 D14/113; D18/1, 7, 11, 12; 340/700, 706, 711,  
 712; 364/706-709.09; 358/248, 249, 254

FIG. 1 is a top, front and right side perspective view of a display for computers showing our new design; FIG. 2 is a front elevational view thereof; FIG. 3 is a rear elevational view thereof; FIG. 4 is a right side elevational view thereof; FIG. 5 is a left side elevational view thereof; FIG. 6 is a top plan view thereof; and, FIG. 7 is a bottom plan view thereof.

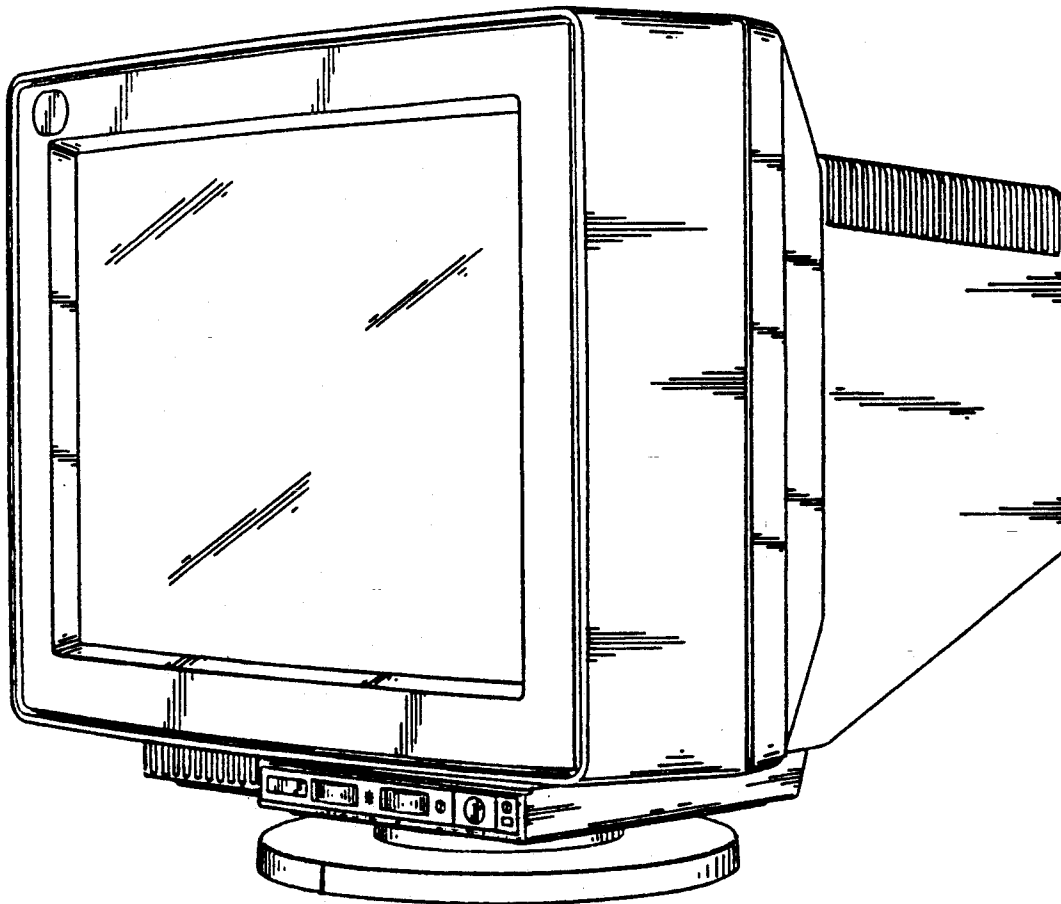


FIG. 1

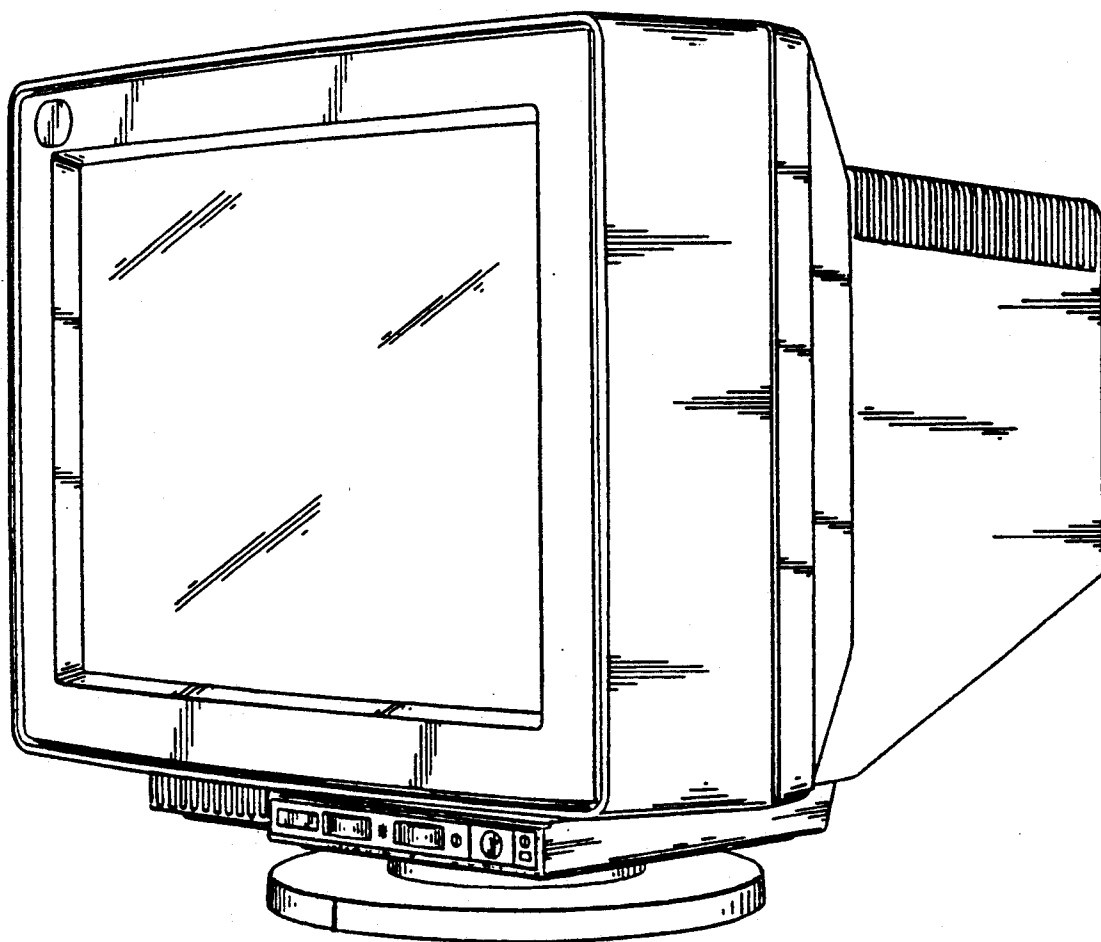


FIG. 2

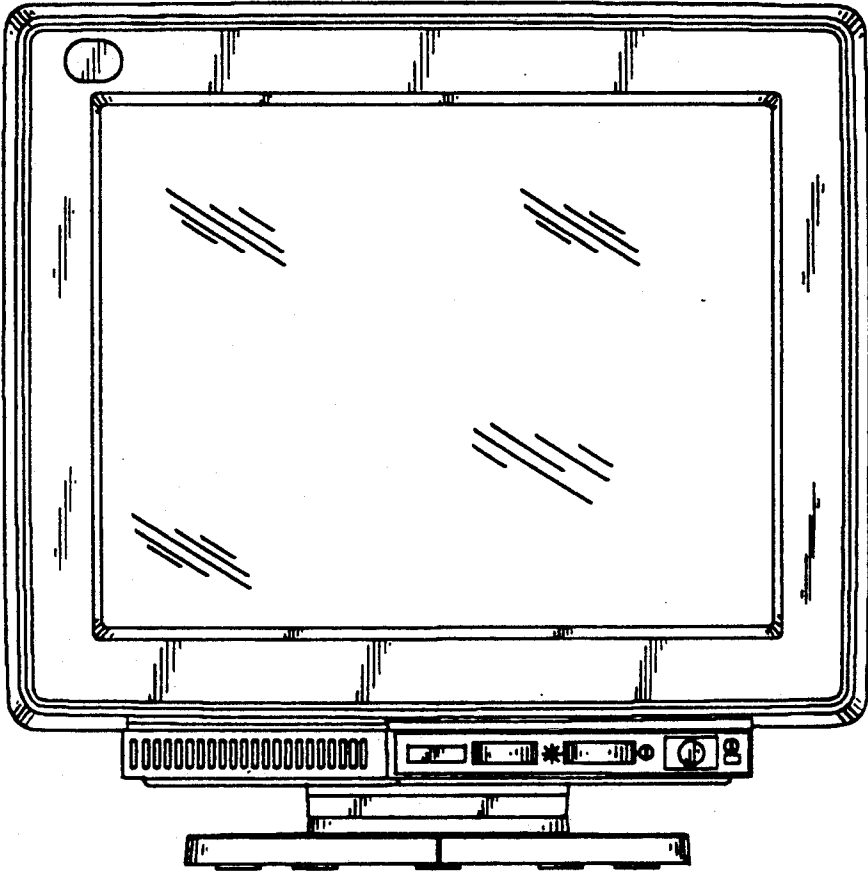


FIG. 3

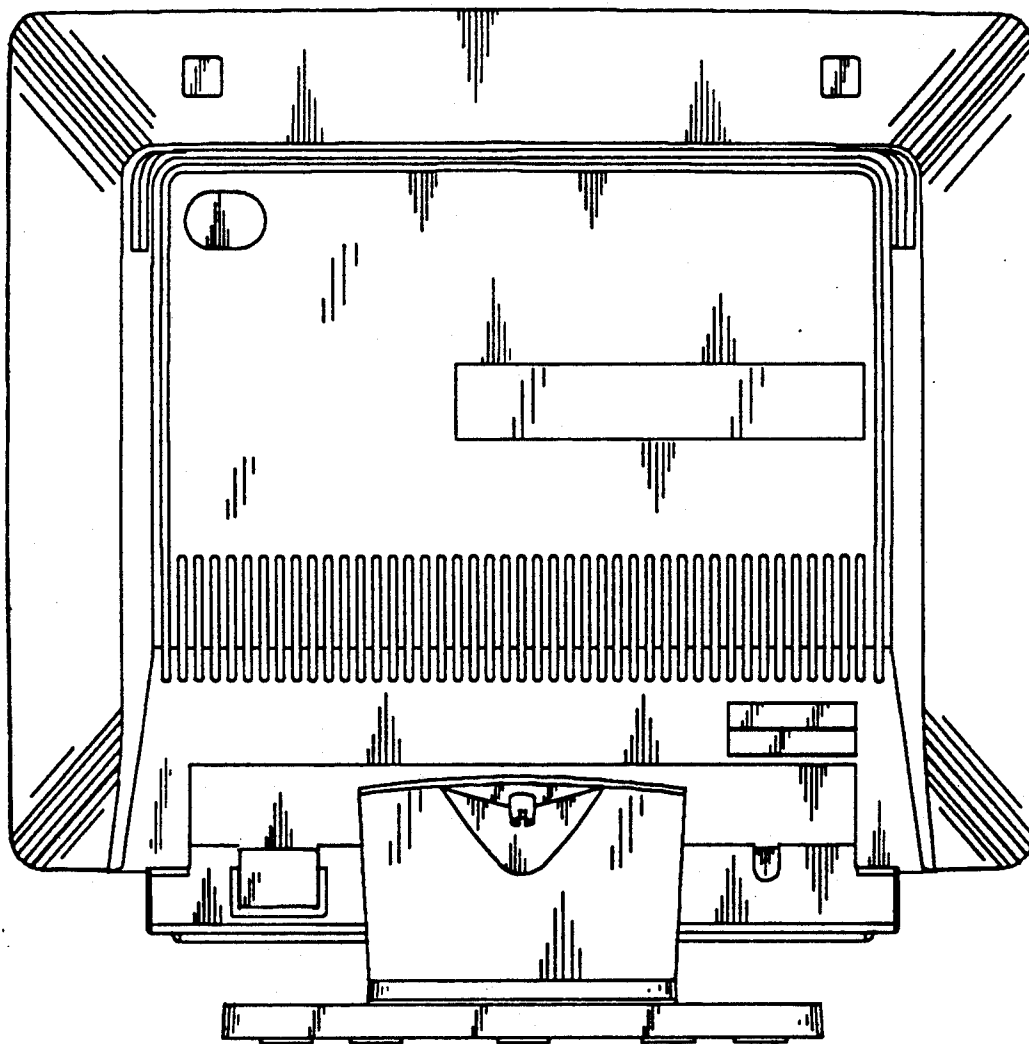


FIG. 4

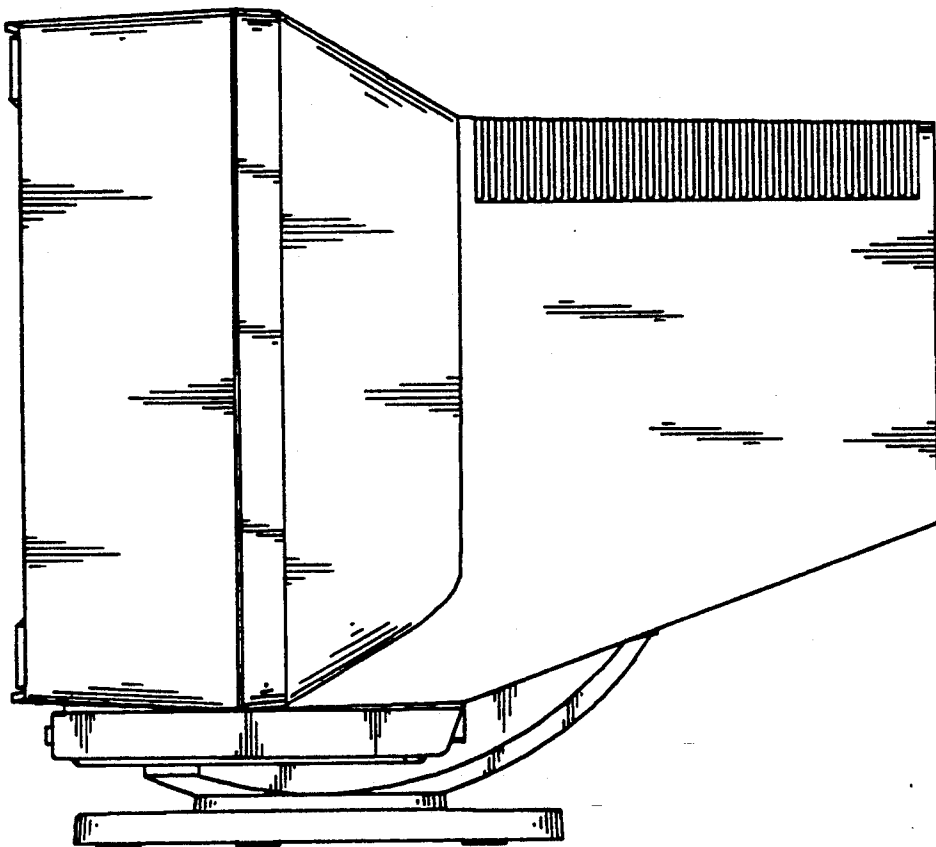


FIG. 5

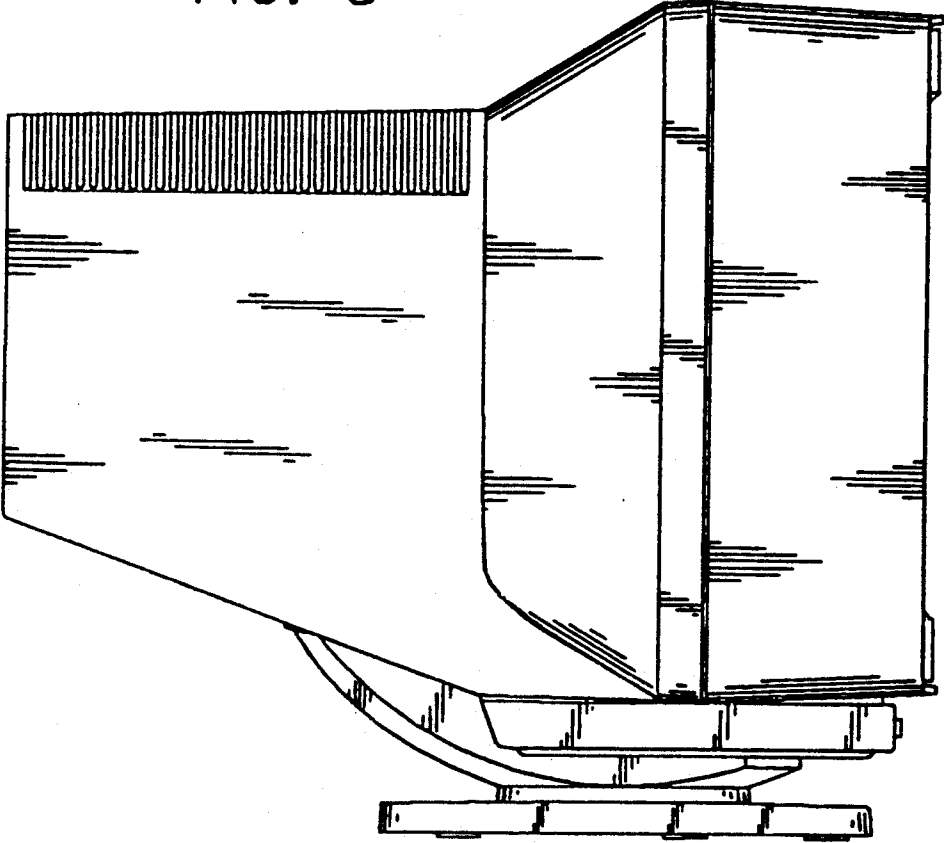


FIG. 6

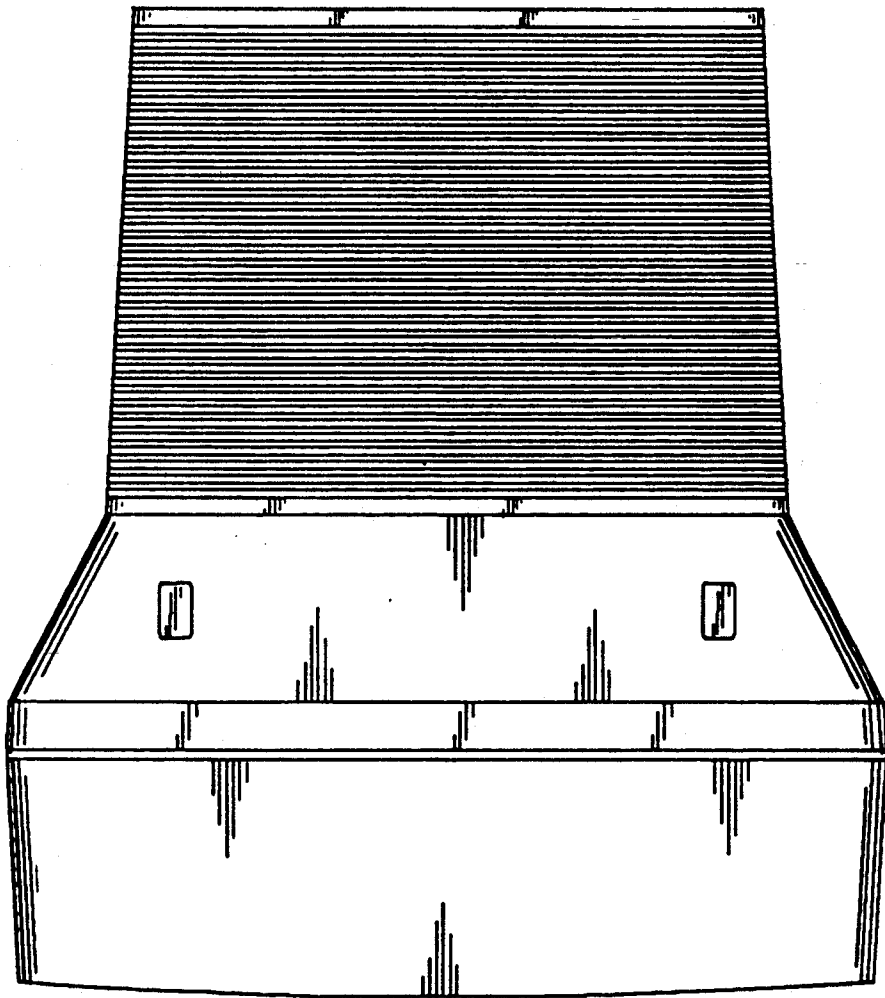


FIG. 7

