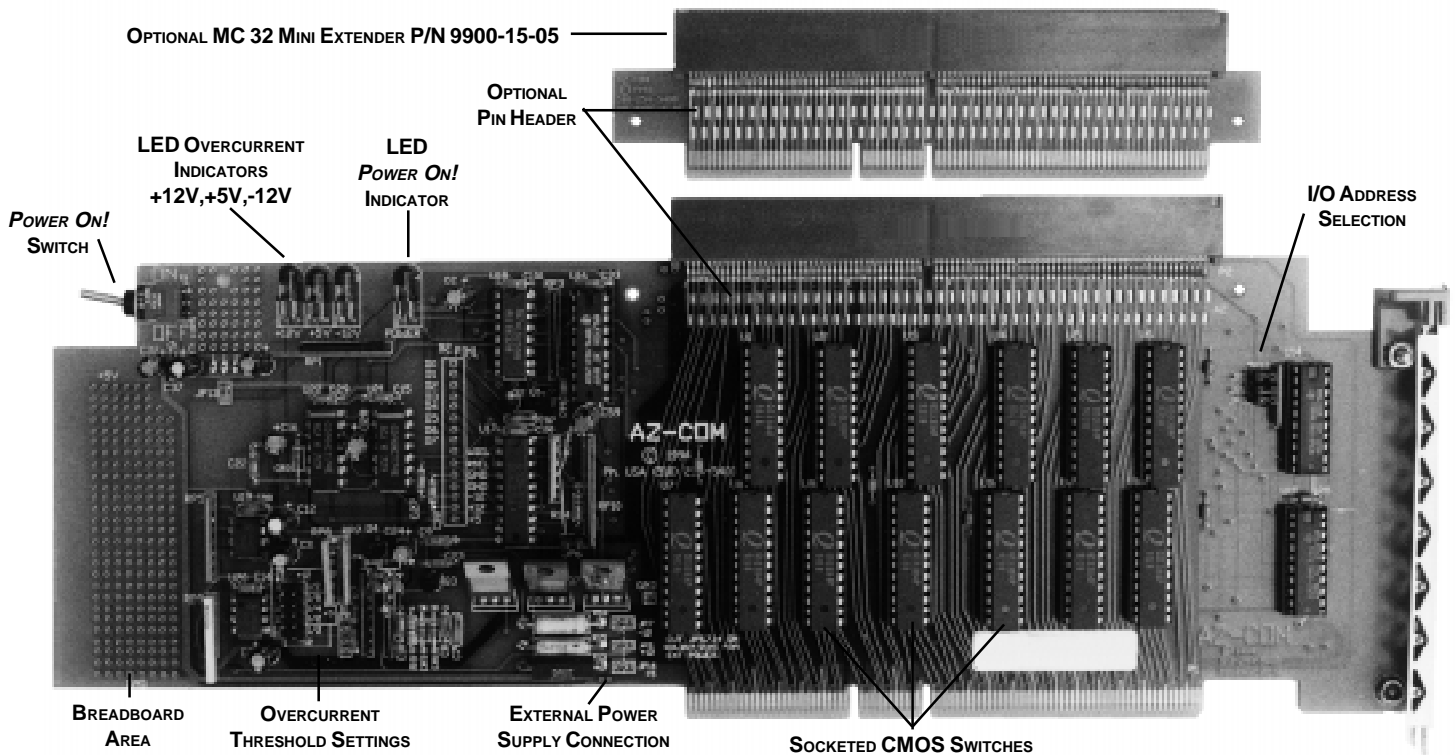


**KEEP THE POWER ON! WITH
AZ-COM INC.**

UNIVERSAL MICRO CHANNEL EXTENDER 32 BIT



GENERAL DESCRIPTION

The Universal MC Extender 32 (UME32) is a device designed to enhance the process of testing and developing Micro Channel Bus products. With the UME32 you can disconnect the power and bus signals from the top connector and remove or insert tested cards with the PC power on. This not only saves time, but also protects the components of the PC from damage that results from constant Power On - Power Off cycling. Other features include:

- ◆ Overcurrent Sensing Circuitry that detects excessive current consumption and protects PC power lines by automatically disconnecting the tested card if overcurrent is detected. You can change the sensing threshold by simply changing the jumper settings.
- ◆ Simple to use optional software interface capability with 7 different I/O address selections available.
- ◆ Four LED's, one indicates whether the power to the top connector is on or off, the other three indicate an overcurrent condition and help detect faulty cards. An overcurrent condition can also be tested by reading the status register.
- ◆ Bus switches installed in sockets for easy replacement if damaged by faulty tested cards.
- ◆ POS register initialization program included free.

SPECIFICATIONS: P/N 9900-15-10

Maximum Current:	+5V 4A All other, 2A
Overcurrent setting:	+5V 4 A +12V 0.5A -12V 0.5A
Bus switch:	7 Ohm maximum, 10pF maximum at 0V/ 25 C.
Signal's direction:	All signals except for the RESET signal are connected to the PC Bus via a bi-directional analog switch. The RESET signal is uni-directional from the PC bus into the top connector.
LED indicators:	Power On (1) Overcurrent (3)
Physical Traits:	Size: 4.6" high, 12.3" long. Weight: 10 oz.

- ◆ Breadboard area with all crucial signals available on the board.
- ◆ Ability to connect external power to the top connector to test cards under various power supply voltages.

**1 YEAR LIMITED WARRANTY AND
30 DAY MONEY BACK GUARANTEE**

THE INDUSTRY LEADER IN ELECTRONIC EXTENDERS SINCE 1990

AZ-COM INC. □ 3343D VINCENT RD., PLEASANT HILL, CA 94523 □ +925-947-1000 FAX 947-1900

www.az-com.com